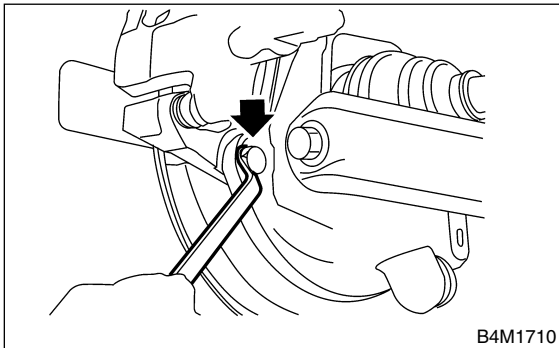


4. Parking Brake Assembly S404169

A: REMOVAL S404169A18

1) Remove the two mounting bolts and remove the disc brake assembly.



2) Suspend the disc brake assembly so that the hose is not stretched.

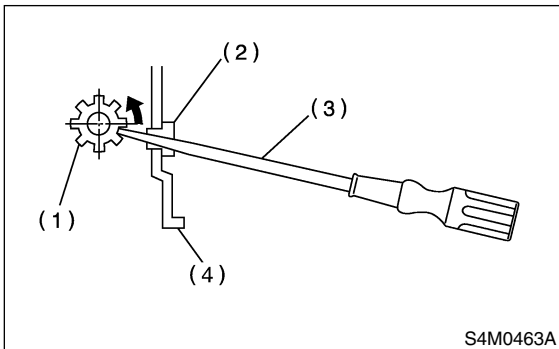
3) Pull down and release parking brake.

4) Remove the disc rotor.

NOTE:

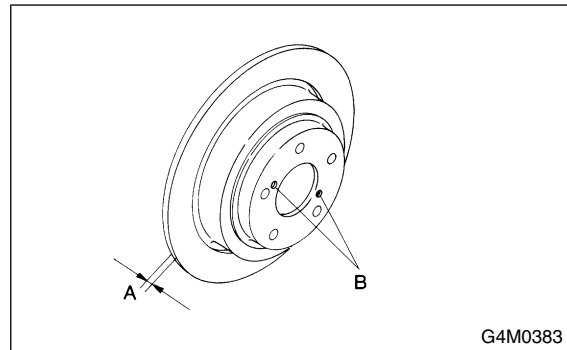
If the disc rotor is difficult to remove, try the following two methods in order.

(1) Turn adjusting screw using a slot-type screwdriver until brake shoe gets away enough from the disc rotor.



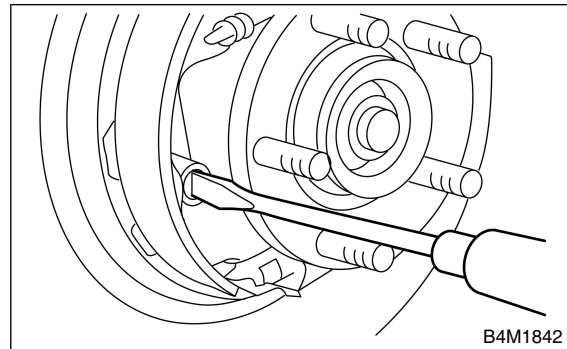
- (1) Adjusting screw
- (2) Cover (rubber)
- (3) Slot-type screwdriver
- (4) Back plate

(2) If disc rotor seizes up within hub, drive disc rotor out by installing an 8-mm bolt in holes B on the rotor.



5) Remove shoe return spring from parking brake assembly.

6) Using a standard screwdriver, remove front shoe hold-down spring and pin.



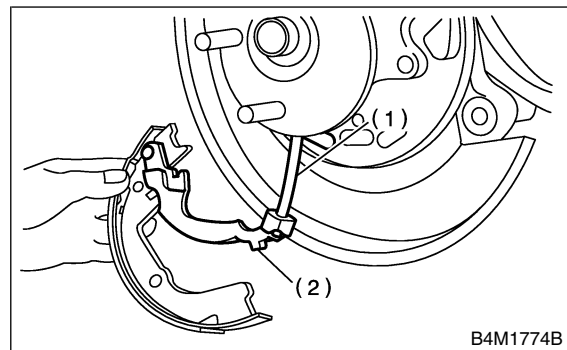
7) Remove strut and strut spring.

8) Remove adjuster assembly from parking brake assembly.

9) Using a standard screwdriver, remove rear shoe hold-down spring and pin.

10) Remove brake shoe.

11) Remove parking cable from parking lever.



- (1) Parking brake cable
- (2) Parking brake lever

12) Using a standard screwdriver, raise retainer. Remove parking lever and washer from brake shoe.

PARKING BRAKE ASSEMBLY

Parking Brake

B: INSTALLATION S404169A11

CAUTION:

Be sure lining surface is free from oil contamination.

Brake grease:

Dow Corning Molykote No. 7439 (Part No. 725191460)

1) Apply brake grease to the following places.

- Six contact surfaces of shoe rim and back plate packing
- Contact surface of shoe wave and anchor pin
- Contact surface of lever and strut
- Contact surface of shoe wave and adjuster assembly
- Contact surface of shoe wave and strut
- Contact surface of lever and shoe wave

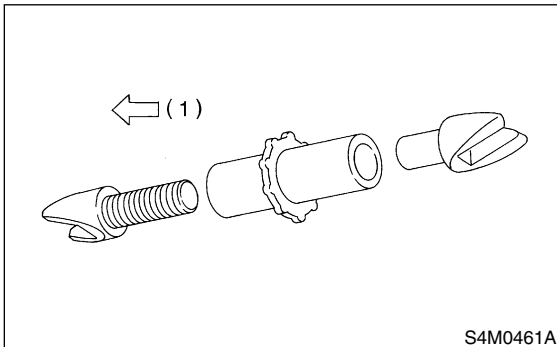
2) Install in reverse order of removal.

CAUTION:

- Use new retainers and clinch them when installing brake shoes to levers.
- Ensure that parking lever moves smoothly.
- Do not confuse left parking lever with right one.
- Do not confuse left strut with right one.

NOTE:

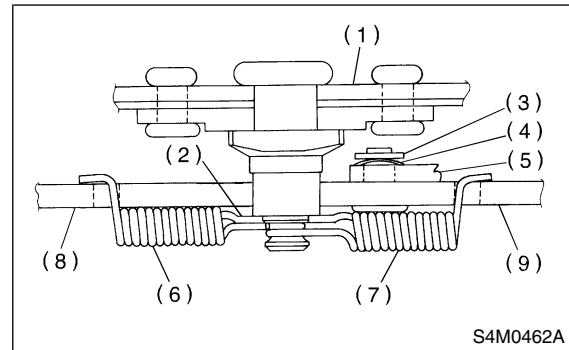
Ensure that adjuster assembly is securely installed with screw in the left side, facing vehicle front.



(1) LEFT

NOTE:

Ensure that shoe return spring is installed as shown in Figure.



- (1) Back plate
- (2) Shoe guide plate
- (3) Retainer
- (4) Spring washer
- (5) Lever
- (6) Primary shoe return spring (Blue)
- (7) Secondary shoe return spring (Yellow)
- (8) Parking brake shoe (Primary)
- (9) Parking brake shoe (Secondary)

3) Adjust parking brakes. <Ref. to PB-9, ADJUSTMENT, Parking Brake Assembly.>

CAUTION:

After replacing parking brake lining, be sure to drive vehicle for "break-in" purposes.

- (1) Drive the vehicle about 35 km/h (22 MPH).
- (2) With the parking brake release button pushed in, pull the parking brake lever gently.
- (3) Drive the vehicle for about 200 meter (0.12 mile) in this condition.
- (4) Wait 5 to 10 minutes for the parking brake to cool down. Repeat this procedure once more.
- (5) After breaking-in, re-adjust parking brakes.

C: INSPECTION

S404169A10

1) Measure brake disc inside diameter. If the disc is scored or worn, replace the brake disc.

Disc inside diameter:

Standard

170 mm (6.69 in)

Service limit

171 mm (6.73 in)

2) Measure the lining thickness. If it exceeds the limit, replace shoe assembly.

Lining thickness:

Standard

3.2 mm (0.126 in)

Service limit

1.5 mm (0.059 in)

CAUTION:

Replace the brake shoes on the right and left brake assembly at the same time.

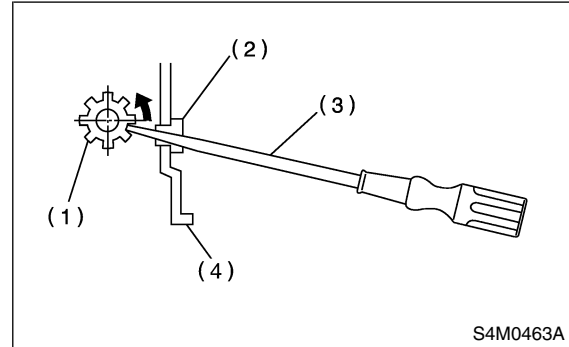
D: ADJUSTMENT

S404169A01

1. SHOE CLEARANCE

S404169A0101

- 1) Remove adjusting hole cover from back plate.
- 2) Turn adjusting screw using a slot-type screwdriver until brake shoe is in close contact with disc rotor.



- (1) Adjusting screw
- (2) Cover (rubber)
- (3) Slot-type screwdriver
- (4) Back plate

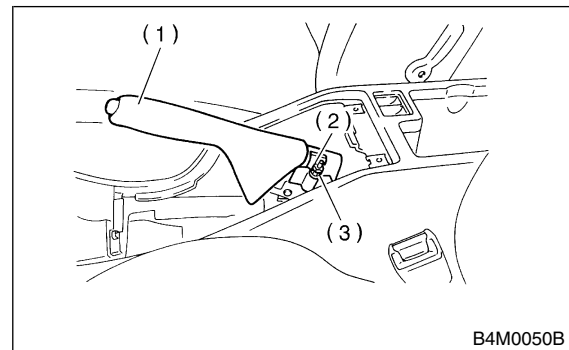
3) Turn back (downward) adjusting screw 3 or 4 notches.

4) Install adjusting hole cover to back plate.

2. LEVER STROKE

S404169A0102

- 1) Remove console box cover.
- 2) Forcibly pull parking brake lever 3 to 5 times.
- 3) Adjust parking brake lever by turning adjuster until parking brake lever stroke is set at 6 notches with operating force of 196 N (20 kgf, 44 lb).



- (1) Parking brake lever
- (2) Lock nut
- (3) Adjusting nut

4) Tighten lock nut.

5) Install console box cover.

Lever stroke:

7 to 8 notches when pulled with a force of 196 N (20 kgf, 44 lb)

Tightening torque (Adjuster lock nut):

5.9 N-m (0.60 kgf-m, 4.3 ft-lb)