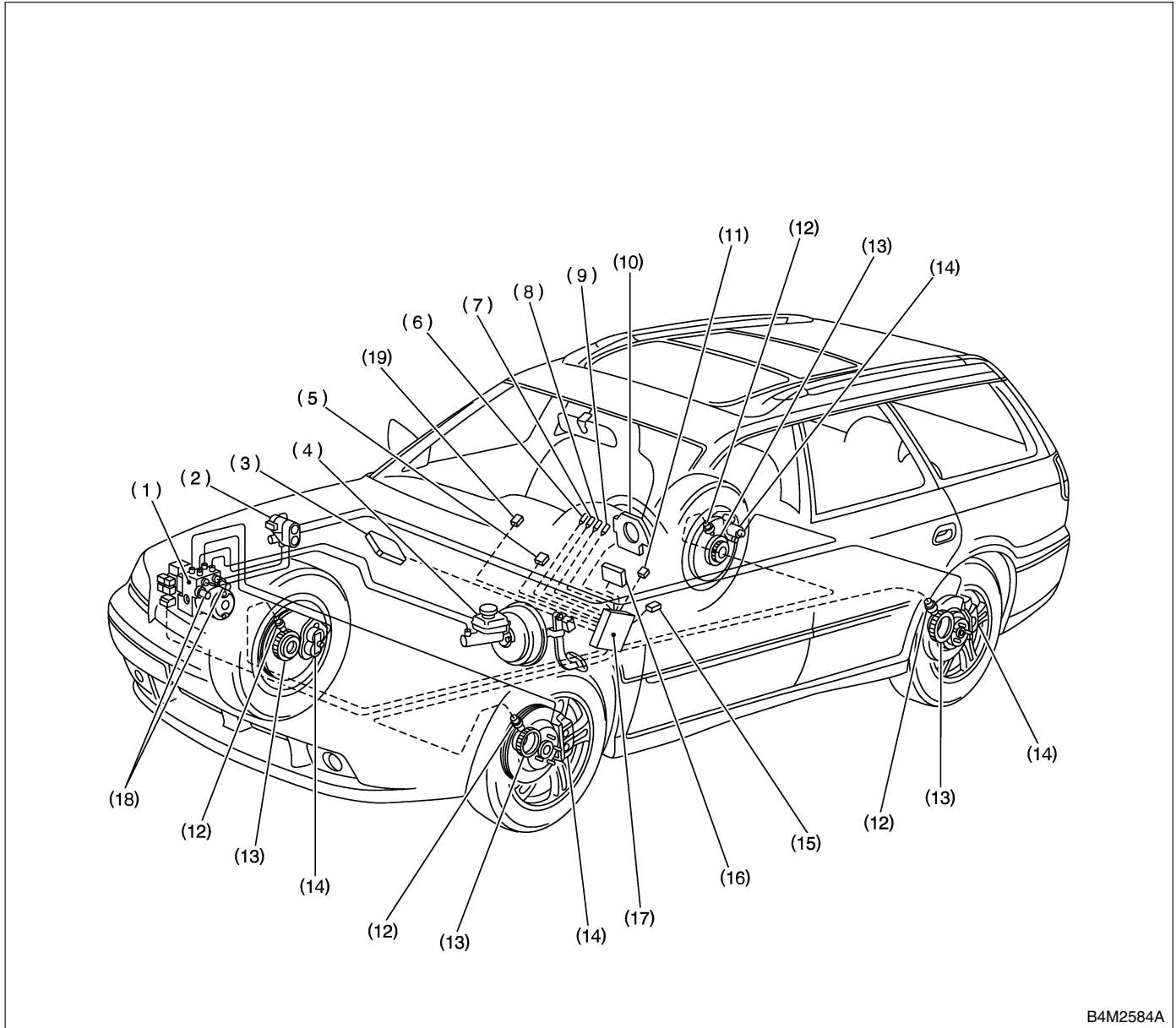


# ELECTRICAL COMPONENTS LOCATION

VDC (Diagnostics)

## 4. Electrical Components Location S005507

### A: LOCATION S005507A13

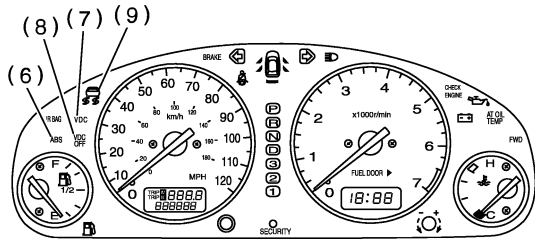


B4M2584A

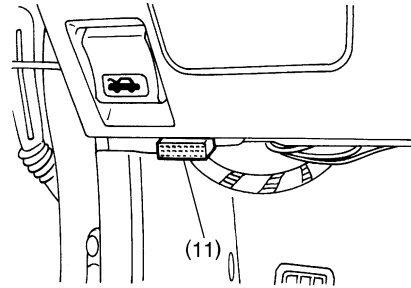
- |   |  |                                  |
|---|--|----------------------------------|
| (1) VDC hydraulic control unit (VDCH/U) | (7) VDC warning light                                | (13) Tone wheel                  |
| (2) Proportioning valve                 | (8) VDC operating indicator light                    | (14) Wheel cylinder              |
| (3) Engine control module               | (9) VDC OFF indicator light                          | (15) Yaw rate & lateral G sensor |
| (4) Master cylinder                     | (10) Steering angle sensor                           | (16) Transmission control module |
| (5) Diagnosis connector                 | (11) Data link connector (for SUBARU select monitor) | (17) VDC control module (VDCCM)  |
| (6) ABS warning light                   | (12) ABS sensor                                      | (18) Pressure sensor             |
|   |  | (19) VDC OFF switch              |

# ELECTRICAL COMPONENTS LOCATION

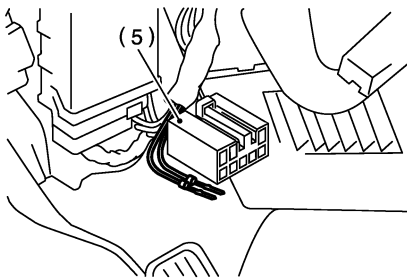
VDC (Diagnostics)



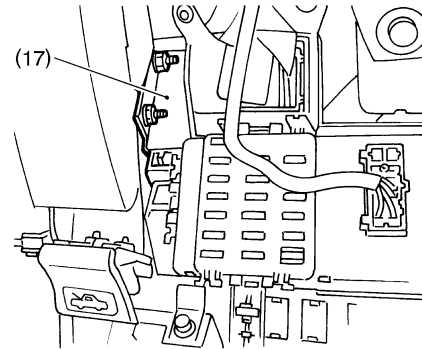
B4M2585A



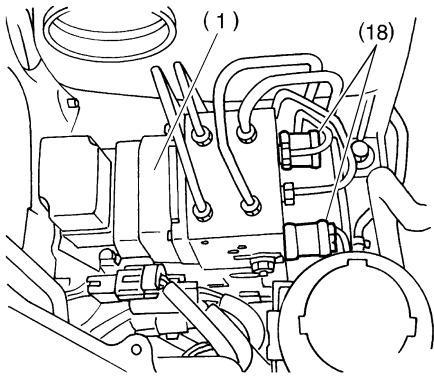
B4M2113B



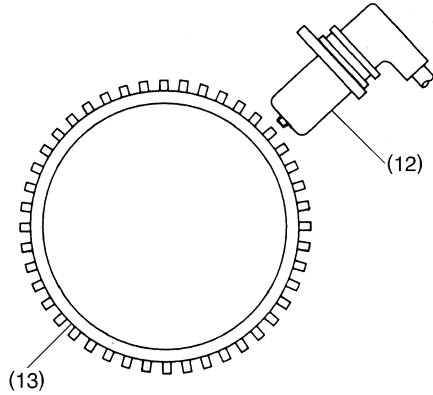
B4M2114B



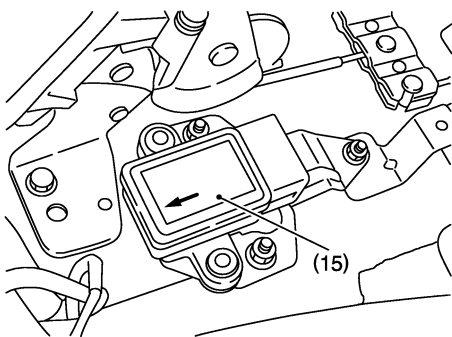
B4M2177C



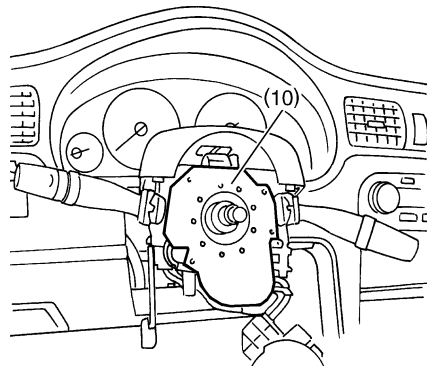
B4M2115C



B4M2262B



B4M2456A



B4M2120B