

# CLEAR MEMORY MODE

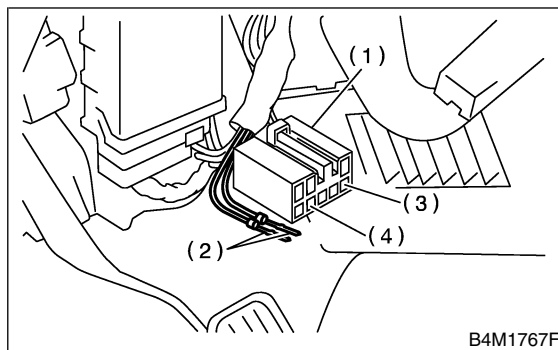
VDC (Diagnostics)

## 10. Clear Memory Mode S005513

### A: OPERATION S005513A16

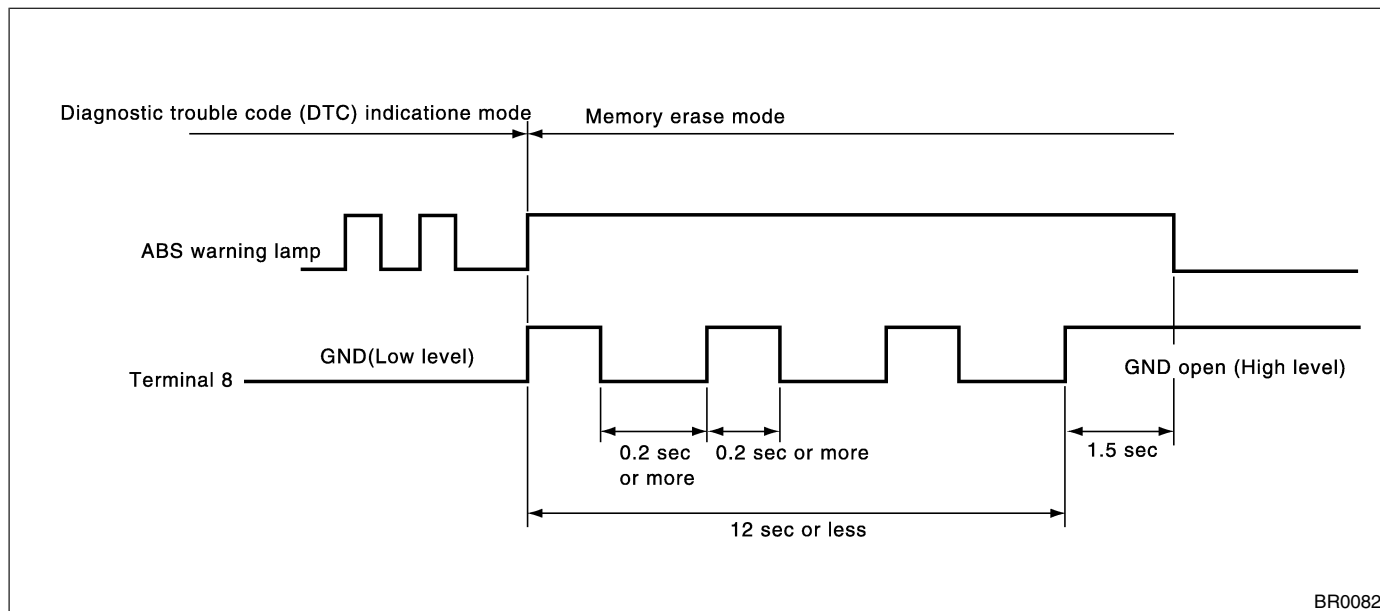
#### 1. WITHOUT SUBARU SELECT MONITOR S005513A1602

1) After calling up a diagnostic trouble code (DTC), disconnect diagnosis connector terminal 8 from diagnosis terminal.



- (1) Diagnosis connector
- (2) Diagnosis terminal
- (3) 8 terminal
- (4) 5 terminal

2) Repeat 3 times within approx. 12 seconds; connecting and disconnecting terminal 8 and diagnosis terminal for at least 0.2 seconds each time.



#### NOTE:

After diagnostics is completed, make sure to clear memory. Make sure only start code (11) is shown after memory is cleared.

#### 2. WITH SUBARU SELECT MONITOR S005513A1601

Refer to SUBARU SELECT MONITOR for information about how to clear diagnostic trouble codes (DTCs).  
<Ref. to VDC-18, Subaru Select Monitor.>