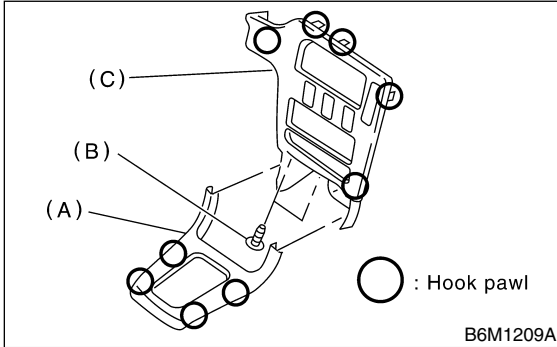


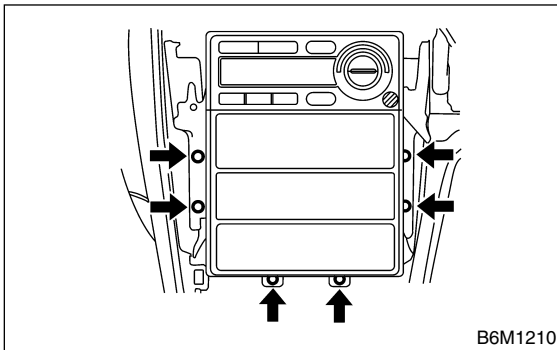
12. VDC Off Switch S402803

A: REMOVAL S402803A18

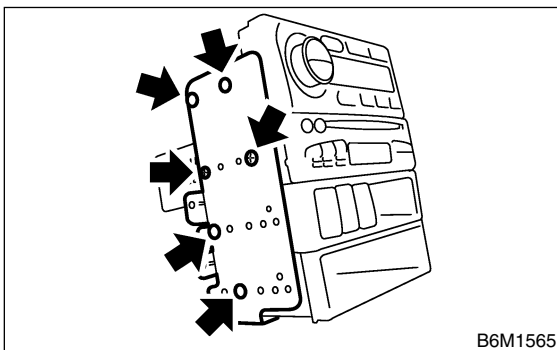
- 1) Remove screws and clip from instrument panel lower cover.
- 2) Remove front cover (A) while disconnecting connector.
- 3) Remove two screws (B) and then remove center panel (C) while disconnecting connector.



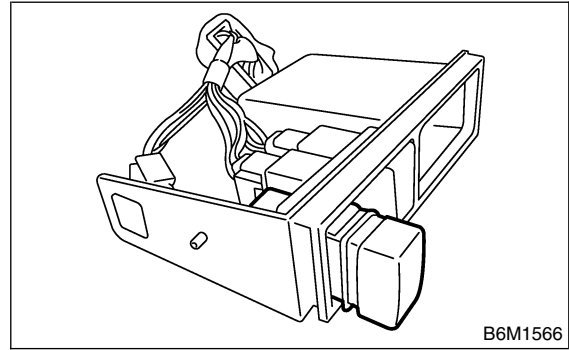
- 4) Remove fitting screws, and slightly pull radio and switch assembly out from center console.



- 5) Disconnect electric connectors and antenna feeder cord and then disconnect heater control unit.
- 6) Remove screw and detach the bracket and then remove switch panel.



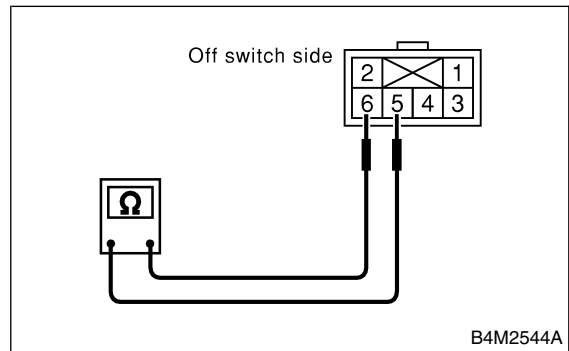
- 7) Remove VDC off switch by pushing it outward.



B: INSTALLATION S402803A11

Install is in the reverse order of removal.

C: INSPECTION S402803A10



Check continuity between VDC off switch terminals.

Switch position	Tester connection	Specified condition
OFF	6 — 5	More than 1 MΩ
ON	6 — 5	Less than 1 Ω

If NG, replace VDC off switch.