

FUEL TANK PRESSURE SENSOR

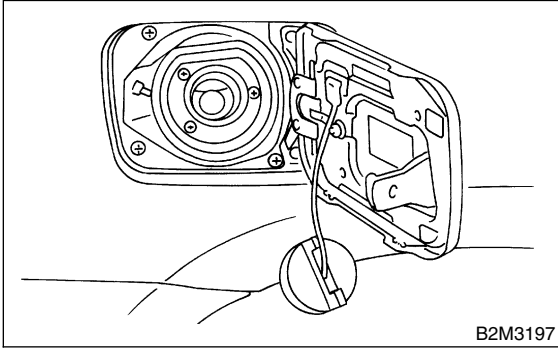
Emission Control (Aux. Emission Control Devices)

9. Fuel Tank Pressure Sensor

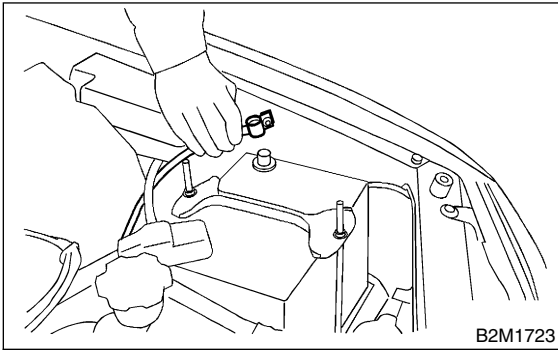
S170030

A: REMOVAL S170030A18

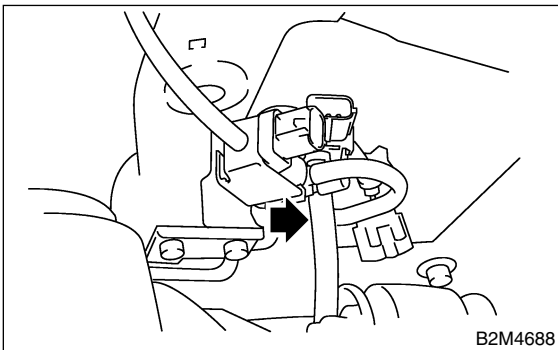
- 1) Set the vehicle on the lift.
- 2) Open fuel flap lid, and remove fuel filler cap.



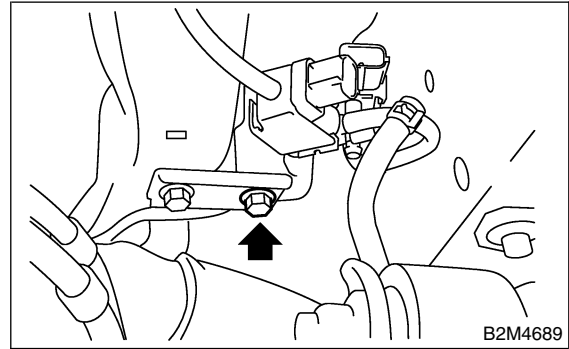
- 3) Disconnect battery ground cable.



- 4) Lift-up the vehicle.
- 5) Disconnect connector from fuel tank pressure sensor and atmospheric pressure solenoid valve.
- 6) Disconnect pressure hose from fuel tank pressure sensor.



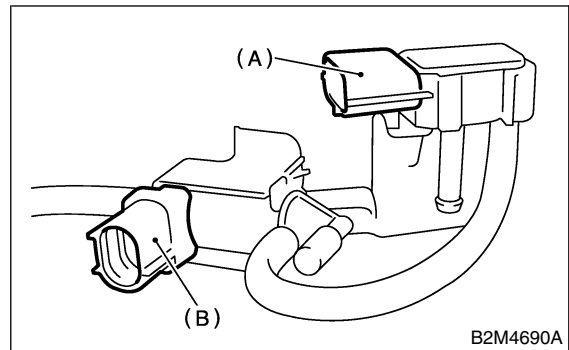
- 7) Remove fuel tank pressure sensor and atmospheric pressure solenoid valve with bracket.



- 8) Remove atmospheric pressure solenoid valve from bracket.

NOTE:

Fuel tank pressure sensor cannot be removed because it is integral with bracket.



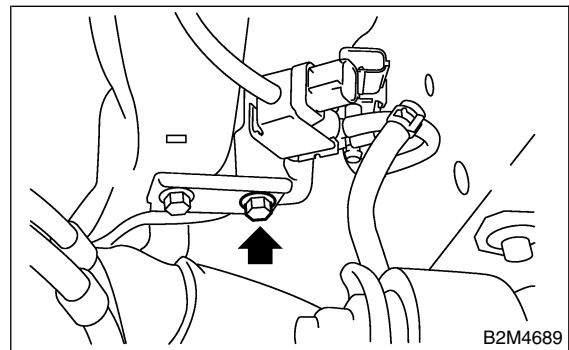
- (A) Fuel tank pressure sensor
- (B) Atmospheric pressure solenoid valve

B: INSTALLATION S170030A11

Install in the reverse order of removal.

Tightening torque:

7.4 N·m (0.75 kgf·m, 5.4 ft·lb)



C: INSPECTION S170030A10

Make sure that hoses are not cracked or loose.