

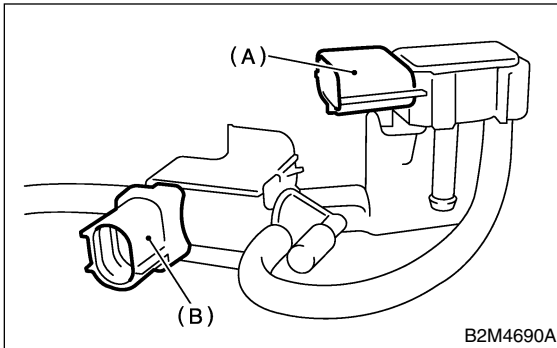
10. Atmospheric Pressure Solenoid Valve

S170804

A: REMOVAL

S170804A18

- 1) Remove fuel tank pressure sensor. <Ref. to EC-10, REMOVAL, Fuel Tank Pressure Sensor.>
- 2) Remove atmospheric pressure solenoid valve from bracket.



- (1) Fuel tank pressure sensor
- (2) Atmospheric pressure solenoid valve

B: INSTALLATION

S170804A11

Install in the reverse order of removal.

C: INSPECTION

S170804A10

Make sure that hoses are not cracked or loose.