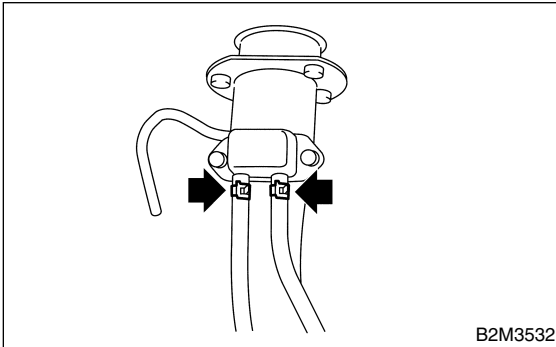


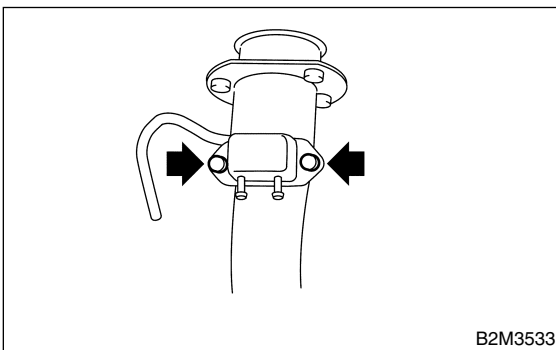
## 14. Shut Valve S170024

### A: REMOVAL S170024A18

- 1) Drain fuel from fuel tank. <Ref. to FU-57, REMOVAL, Fuel Tank.>
- 2) Remove fuel filler pipe. <Ref. to FU-65, REMOVAL, Fuel Filler Pipe.>
- 3) Disconnect evaporation hoses from shut valve.



- 4) Remove shut valve from fuel filler pipe.

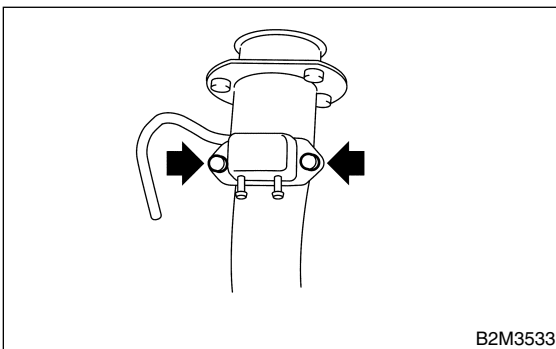


### B: INSTALLATION S170024A11

Install in the reverse order of removal.

#### **Tightening torque:**

**4.4 N·m (0.45 kgf-m, 3.3 ft-lb)**



### C: INSPECTION S170024A10

Make sure that hoses are not cracked or loose.