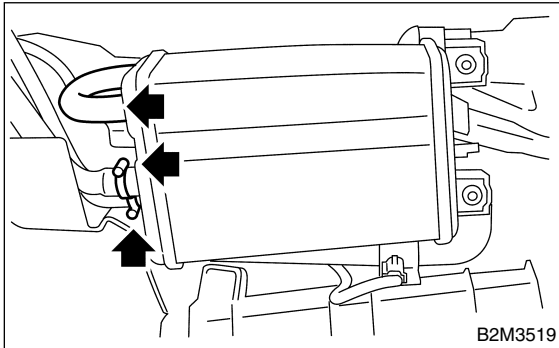


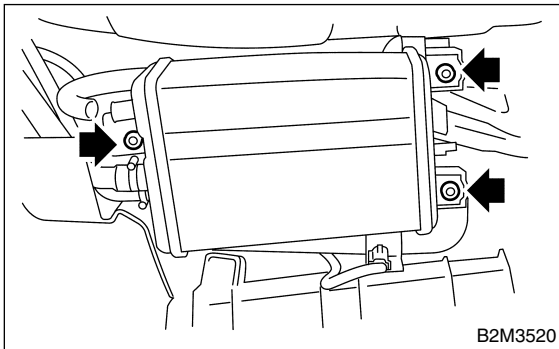
## 4. Canister S170037

### A: REMOVAL S170037A18

- 1) Lift-up the vehicle.
- 2) Loosen two clamps which hold two canister hoses, and disconnect evaporation three hoses from canister.



- 3) Remove canister from body.

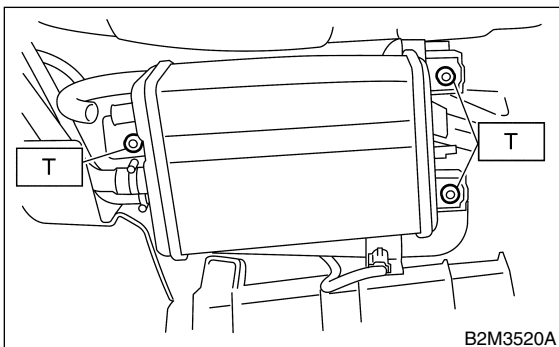


### B: INSTALLATION S170037A11

- 1) Install in the reverse order of removal.

#### **Tightening torque:**

**23 N·m (2.3 kgf-m, 17 ft-lb)**



### C: INSPECTION S170037A10

Make sure the canister and canister hoses are not cracked or loose.