

# PURGE CONTROL SOLENOID VALVE

Emission Control (Aux. Emission Control Devices)

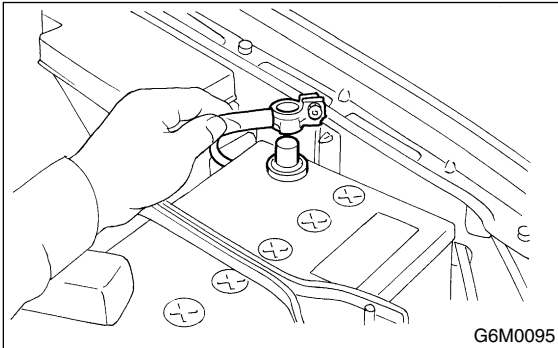
## 5. Purge Control Solenoid Valve

S170035

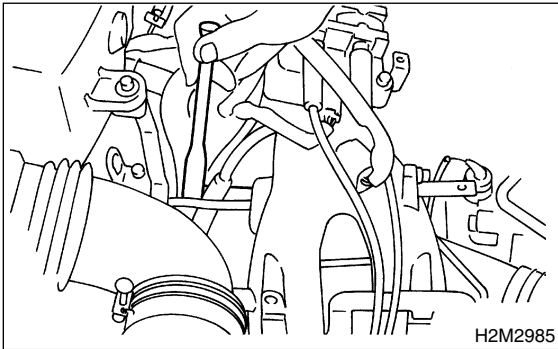
### A: REMOVAL

S170035A18

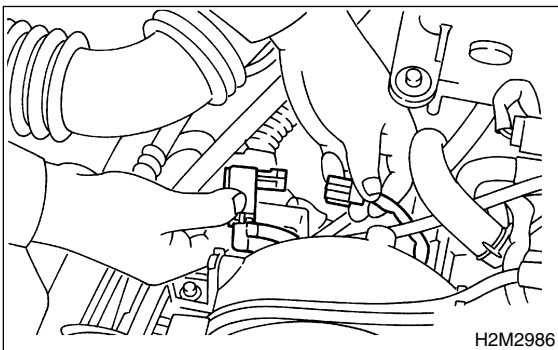
- 1) Disconnect battery ground cable.



- 2) Remove bolt which installs purge control solenoid valve onto intake manifold.



- 3) Take out purge control solenoid valve through the bottom of the intake manifold.
- 4) Disconnect connector and hoses from purge control solenoid valve.

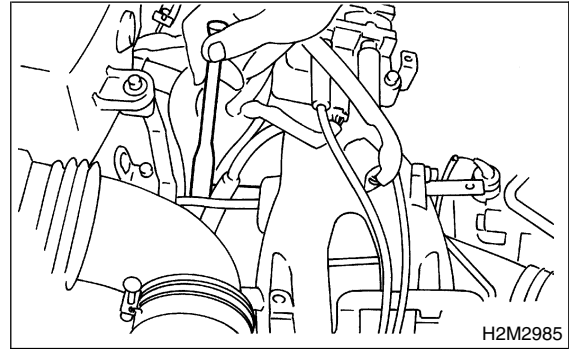


### B: INSTALLATION

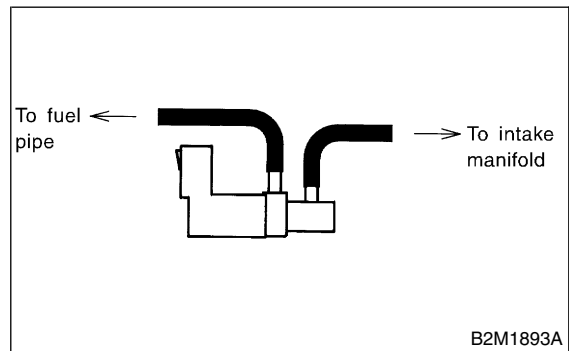
S170035A11

- 1) Install in the reverse order of removal.

**Tightening torque:**  
16 N·m (1.6 kgf·m, 11.6 ft·lb)



**CAUTION:**  
Carefully connect the evaporation hoses.



### C: INSPECTION

S170035A10

Make sure hoses are not cracked or loose.