

# PRESSURE CONTROL SOLENOID VALVE

Emission Control (Aux. Emission Control Devices)

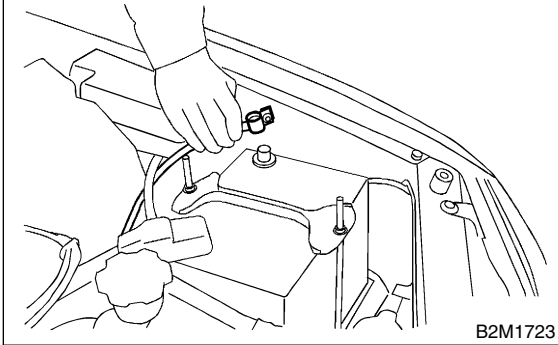
## 11. Pressure Control Solenoid Valve

S170031

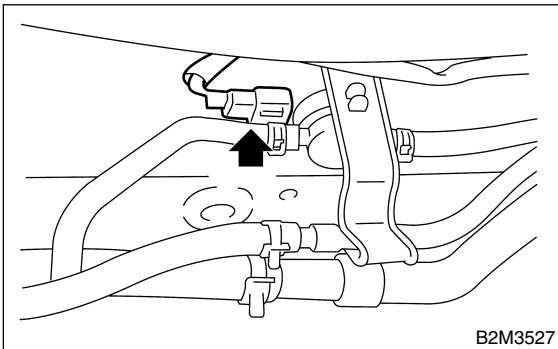
### A: REMOVAL

S170031A18

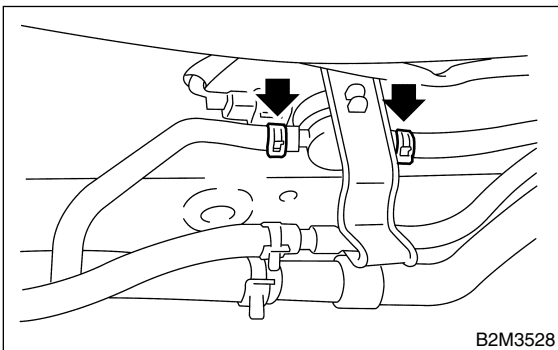
- 1) Set the vehicle on the lift.
- 2) Disconnect battery ground cable.



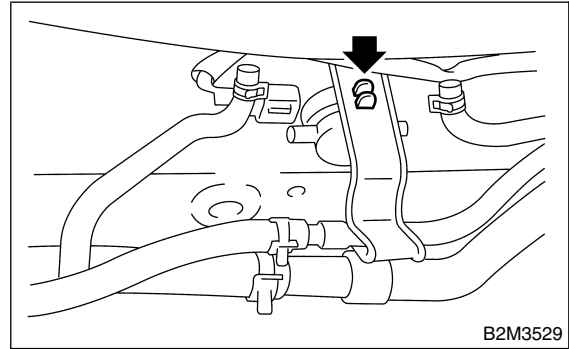
- 3) Lift-up the vehicle.
- 4) Disconnect connector from pressure control solenoid valve.



- 5) Disconnect two evaporation hoses from pressure control solenoid valve.



- 6) Remove pressure control solenoid valve from bracket.



### B: INSTALLTION

S170031A11

Install in the reverse order of removal.

### C: INSPECTION

S170031A10

Make sure that hoses are not cracked or loose.