

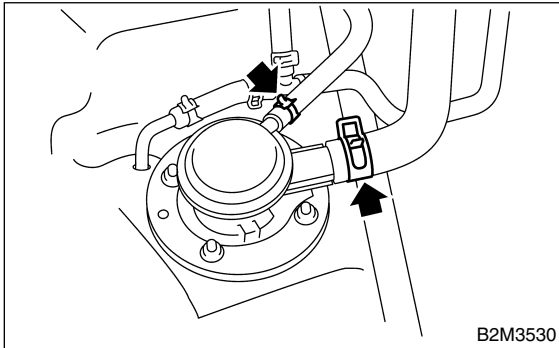
# VENT VALVE

Emission Control (Aux. Emission Control Devices)

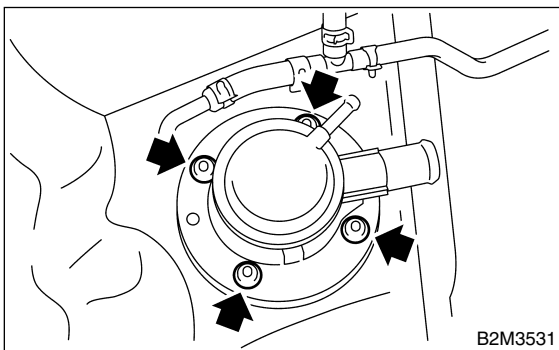
## 13. Vent Valve S170033

### A: REMOVAL S170033A18

- 1) Remove fuel tank. <Ref. to FU-57, REMOVAL, Fuel Tank.>
- 2) Move clips, and disconnect hoses from vent valve.



- 3) Remove nuts which install vent valve on fuel tank.



### B: INSTALLATION S170033A11

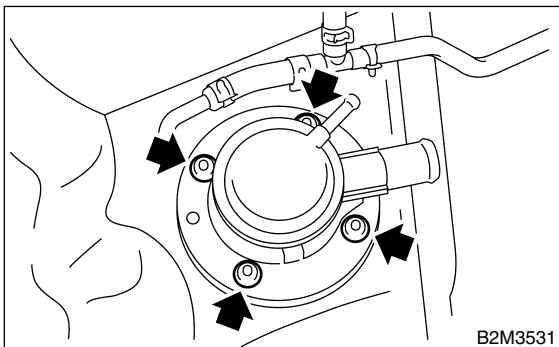
Install in the reverse order of removal.

NOTE:

Replace rubber seat with a new one.

**Tightening torque:**

**4.4 N·m (0.45 kgf-m, 3.3 ft-lb)**



### C: INSPECTION S170033A10

Make sure that hoses are not cracked or loose.