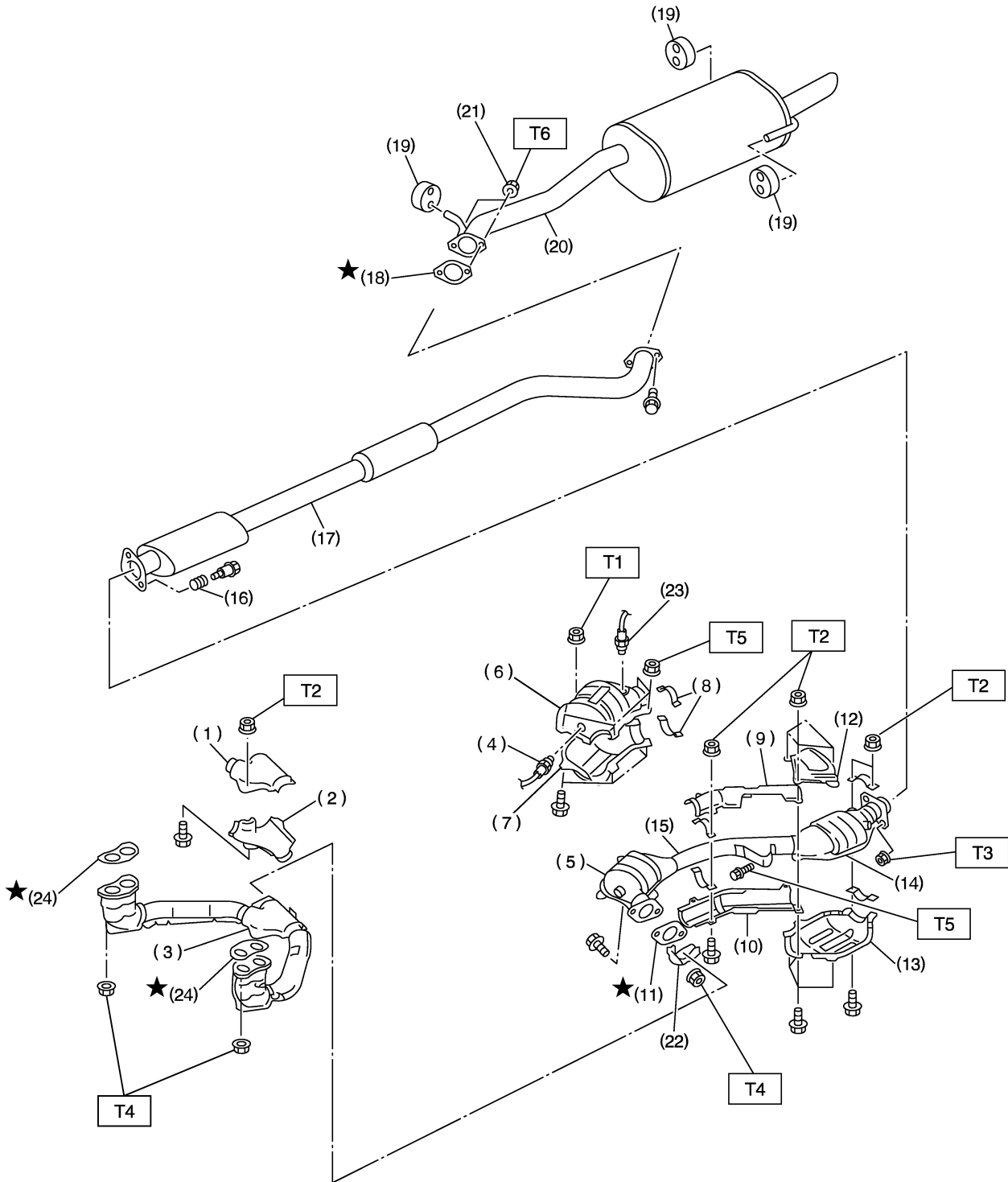


# GENERAL DESCRIPTION

Exhaust

## 1. General Description S172001

### A: COMPONENT S172001A05



B2M4591A

# GENERAL DESCRIPTION

Exhaust

- 
- |  |  |                         |
|--|--|-------------------------|
| (1) Upper front exhaust pipe cover<br>CTR    | (10) Lower center exhaust pipe cover         | (21) Self-locking nut   |
| (2) Lower front exhaust pipe cover<br>CTR    | (11) Gasket                                  | (22) Protector          |
| (3) Front exhaust pipe                       | (12) Upper rear catalytic converter<br>cover | (23) Rear oxygen sensor |
| (4) Front oxygen (A/F) sensor                | (13) Lower rear catalytic converter<br>cover | (24) Gasket             |
| (5) Front catalytic converter                | (14) Rear catalytic converter                |                         |
| (6) Upper front catalytic converter<br>cover | (15) Center exhaust pipe                     |                         |
| (7) Lower front catalytic converter<br>cover | (16) Spring                                  |                         |
| (8) Clamp                                    | (17) Rear exhaust pipe                       |                         |
| (9) Upper center exhaust pipe cover          | (18) Gasket                                  |                         |
|  | (19) Cushion rubber                          |                         |
|  | (20) Muffler                                 |                         |
- 
- Tightening torque: N·m (kgf-m, ft-lb)**
- T1: 8 (0.8, 5.8)**
- T2: 13 (1.3, 9.4)**
- T3: 18 (1.8, 13.0)**
- T4: 30 (3.1, 22.4)**
- T5: 35 (3.6, 26.0)**
- T6: 48 (4.9, 35.4)**
-

### **B: CAUTION** S172001A03

- Wear working clothing, including a cap, protective goggles, and protective shoes during operation.
- Remove contamination including dirt and corrosion before removal, installation or disassembly.
- Keep the disassembled parts in order and protect them from dust or dirt.
- Before removal, installation or disassembly, be sure to clarify the failure. Avoid unnecessary removal, installation, disassembly, and replacement.
- Be careful not to burn your hands, because each part on the vehicle is hot after running.
- Be sure to tighten fasteners including bolts and nuts to the specified torque.
- Place shop jacks or safety stands at the specified points.
- Before disconnecting electrical connectors of sensors or units, be sure to disconnect ground cable from battery.