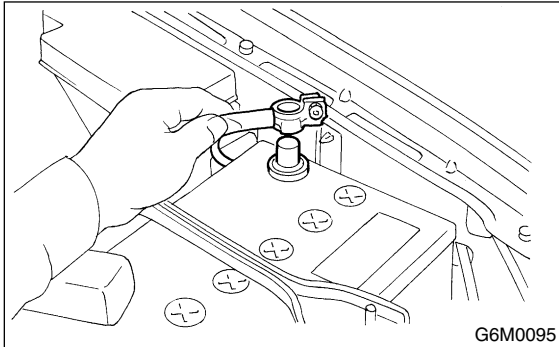


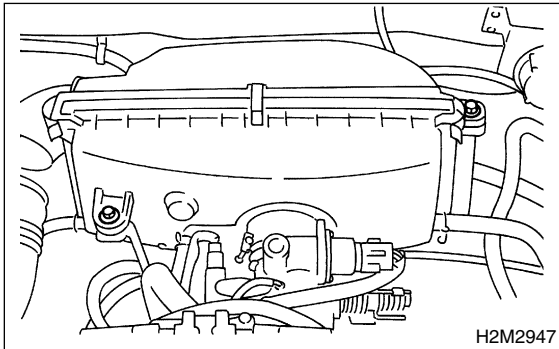
7. Knock Sensor S175042

A: REMOVAL S175042A18

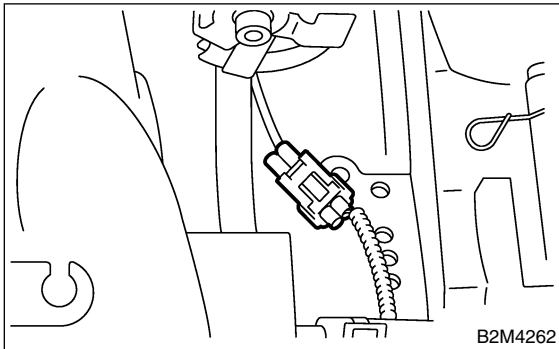
- 1) Disconnect battery ground cable.



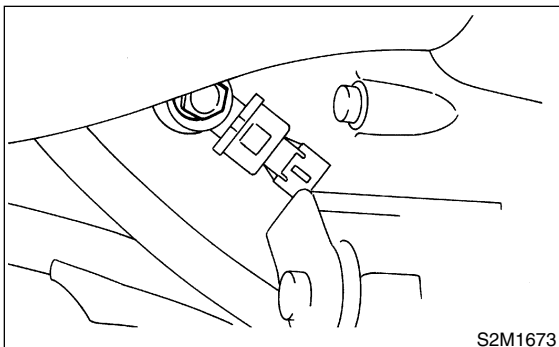
- 2) Remove air cleaner case.



- 3) Disconnect knock sensor connector.



- 4) Remove knock sensor from cylinder block.



B: INSTALLATION S175042A11

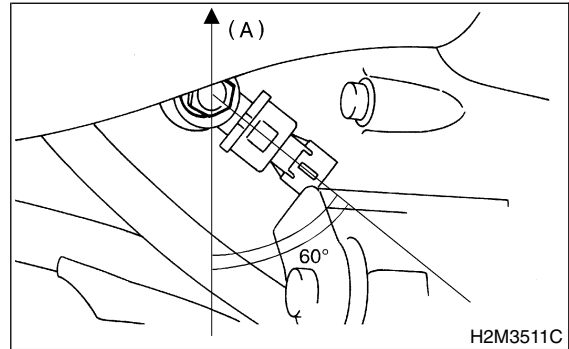
- 1) Install knock sensor to cylinder block.

Tightening torque:

24 N·m (2.4 kgf-m, 17.4 ft-lb)

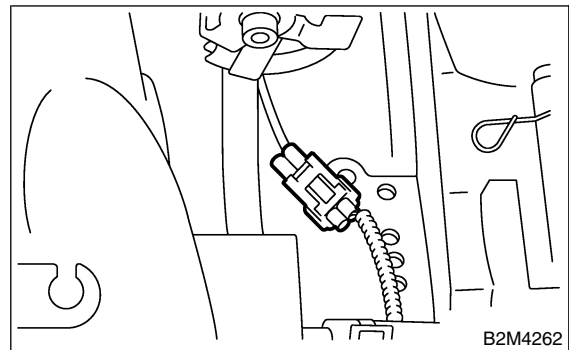
NOTE:

The extraction area of the knock sensor cord must be positioned at a 60° angle relative to the engine rear.

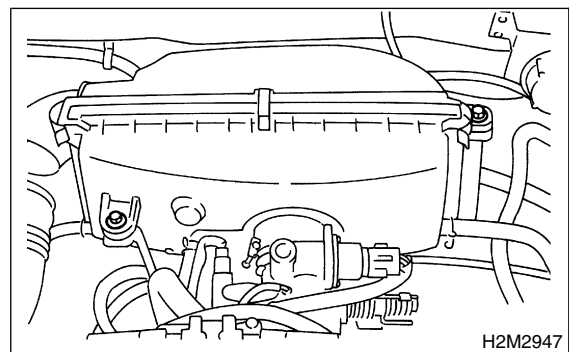


(A) Front side

- 2) Connect knock sensor connector.



- 3) Install air cleaner case.



KNOCK SENSOR

Fuel Injection (Fuel Systems)

4) Connect battery ground cable.

