

AIR ASSIST INJECTOR SOLENOID VALVE

Fuel Injection (Fuel Systems)

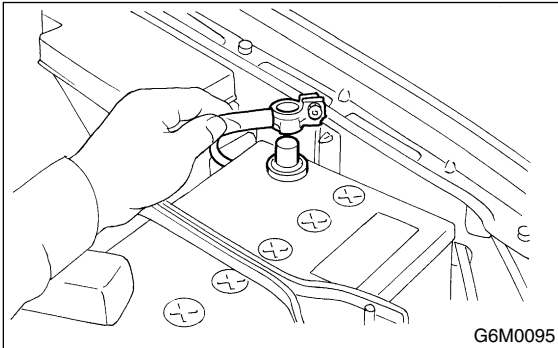
11. Air Assist Injector Solenoid Valve

S175570

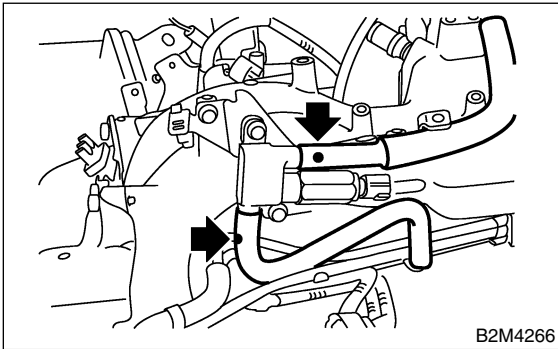
A: REMOVAL

S175570A18

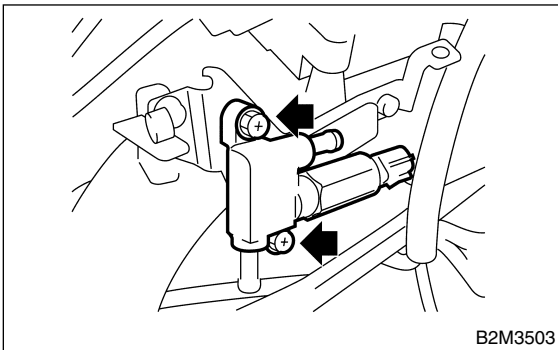
- 1) Disconnect battery ground cable.



- 2) Disconnect connector from air assist injector solenoid valve and disconnect air by-pass hoses.



- 3) Remove air assist injector solenoid valve from intake manifold.



B: INSTALLATION

S175570A11

Install in the reverse order of removal.

Tightening torque:

5.0 N·m (0.51 kgf-m, 3.7 ft-lb)

