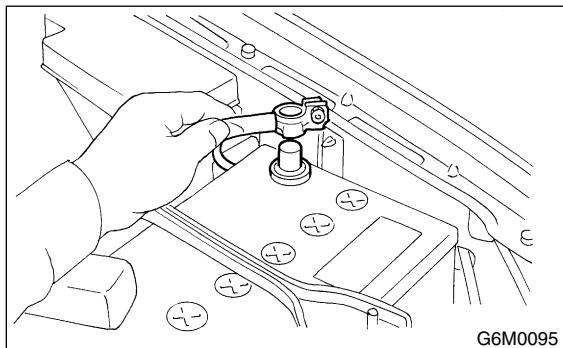


13. Front Oxygen (A/F) Sensor

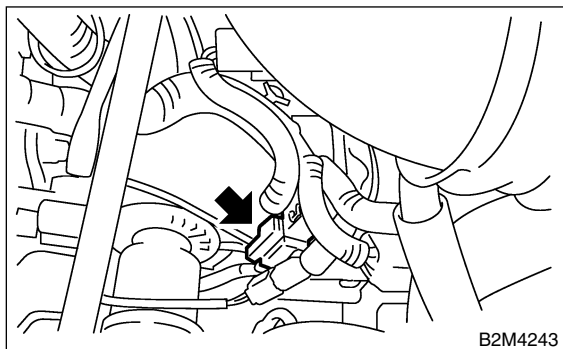
S175642

A: REMOVAL S175642A18

- 1) Disconnect battery ground cable.



- 2) Disconnect connector from front oxygen (A/F) sensor.



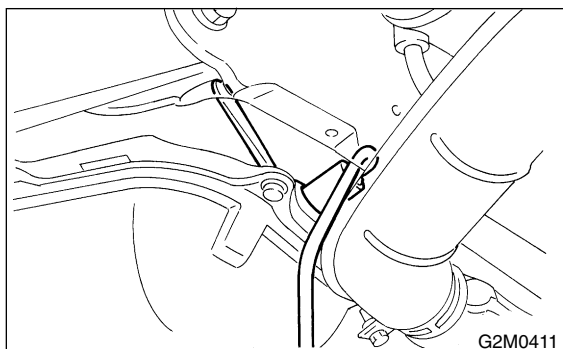
- 3) Lift-up the vehicle.
- 4) Apply SUBARU CRC or its equivalent to threaded portion of front oxygen (A/F) sensor, and leave it for one minute or more.

SUBARU CRC (Part No. 004301003)

- 5) Remove front oxygen (A/F) sensor.

CAUTION:

When removing the oxygen (A/F) sensor, wait until exhaust pipe cools, otherwise it will damage exhaust pipe.



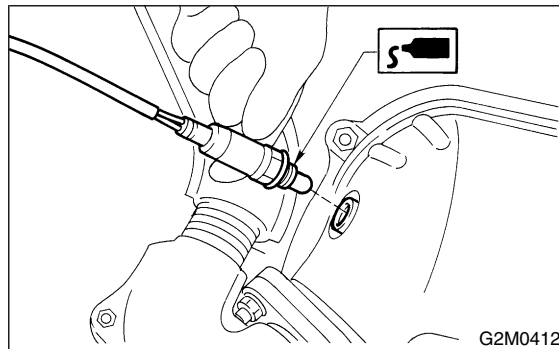
B: INSTALLATION S175642A11

- 1) Before installing front oxygen (A/F) sensor, apply anti-seize compound only to threaded portion of front oxygen (A/F) sensor to make the next removal easier.

Anti-seize compound:
SS-30 by JET LUBE

CAUTION:

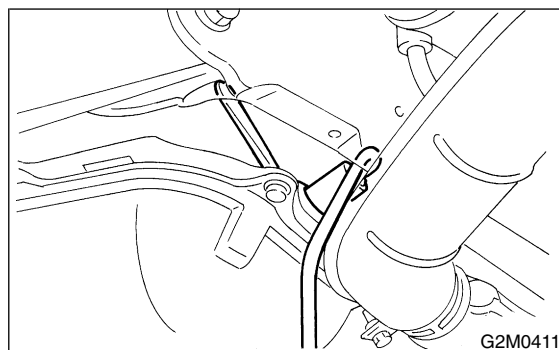
Never apply anti-seize compound to protector of front oxygen (A/F) sensor.



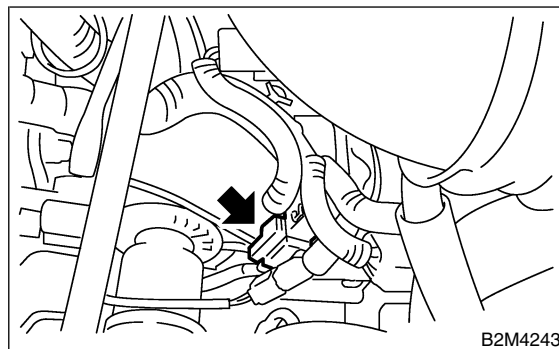
- 2) Install front oxygen (A/F) sensor.

Tightening torque:

21 N·m (2.1 kgf-m, 15.2 ft-lb)



- 3) Lower the vehicle.
- 4) Connect connector of front oxygen (A/F) sensor.



FRONT OXYGEN (A/F) SENSOR

Fuel Injection (Fuel Systems)

5) Connect battery ground cable.

