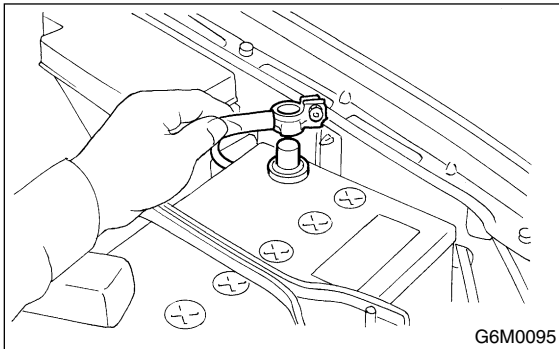


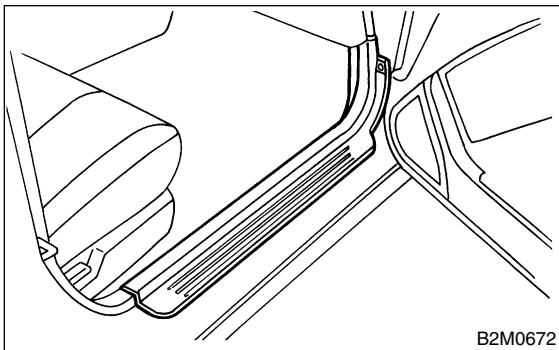
15. Engine Control Module S175049

A: REMOVAL S175049A18

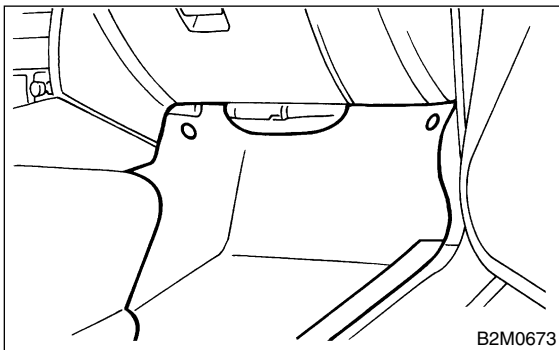
- 1) Disconnect battery ground cable.



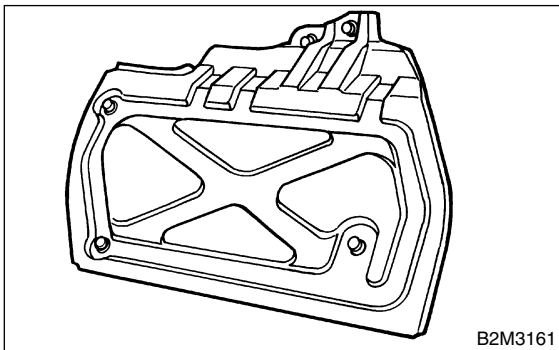
- 2) Remove lower inner trim of passenger side.
<Ref. to EI-43, REMOVAL, Lower Inner Trim.>



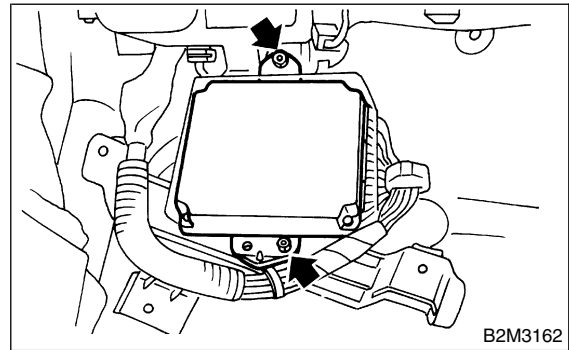
- 3) Detach floor mat of front passenger seat.



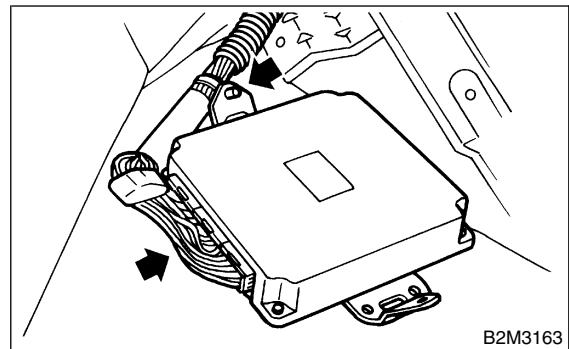
- 4) Remove protect cover.



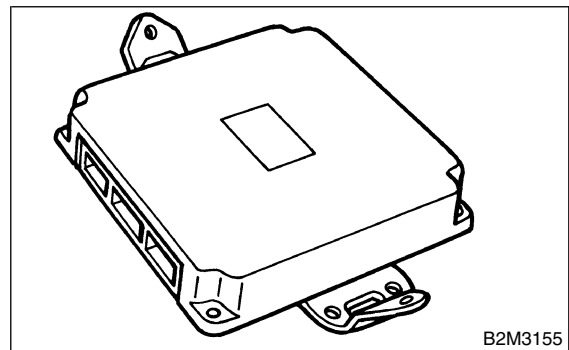
- 5) Remove nuts which hold ECM to bracket.



- 6) Remove clip from bracket.



- 7) Disconnect ECM connectors and take out ECM.



B: INSTALLATION S175049A11

Install in the reverse order of removal.

CAUTION:

When replacing ECM, be careful not to use the wrong spec. ECM to avoid any damage to the fuel injection system.