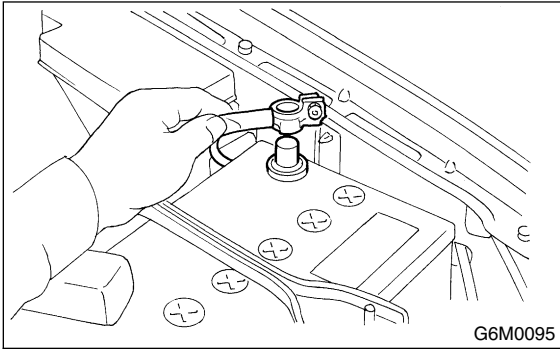


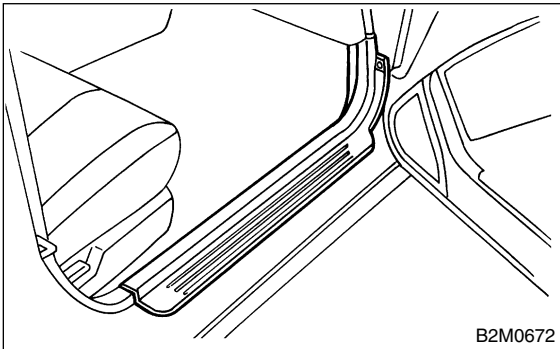
## 16. Main Relay S175050

### A: REMOVAL S175050A18

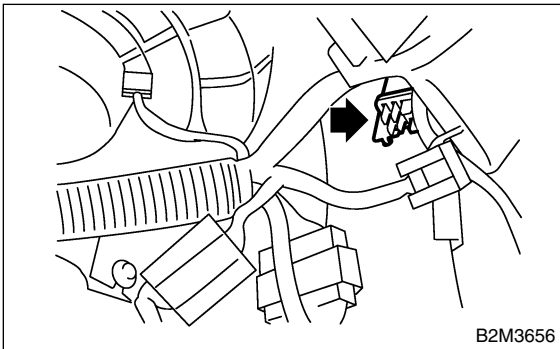
- 1) Disconnect battery ground cable.



- 2) Remove lower inner trim of passenger side.  
<Ref. to EI-43, REMOVAL, Lower Inner Trim.>



- 3) Disconnect connectors from main relay.
- 4) Remove bolt which holds main relay bracket on body.



### B: INSTALLATION S175050A11

Install in the reverse order of removal.