

FUEL LEVEL SENSOR

Fuel Injection (Fuel Systems)

22. Fuel Level Sensor S175026

A: REMOVAL S175026A18

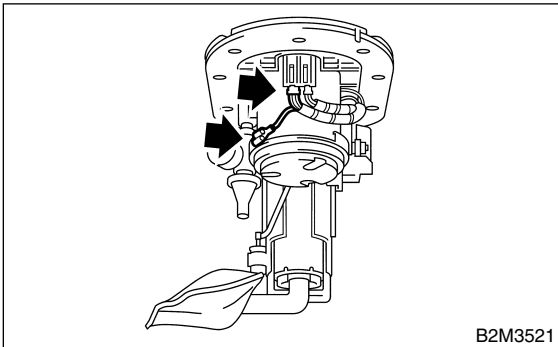
WARNING:

- Place “NO FIRE” signs near the working area.
- Be careful not to spill fuel on the floor.
- During work procedures, if fuel tank is more than 3/4 full, be careful because fuel may spill.

NOTE:

Fuel level sensor is built in fuel pump assembly.

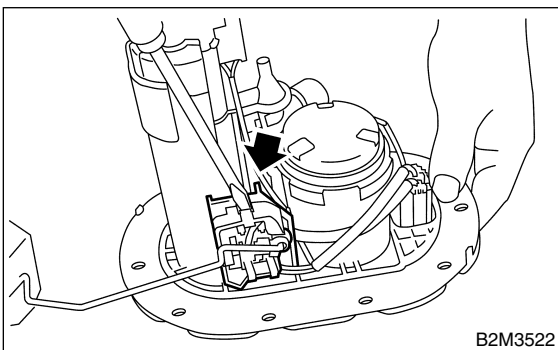
- 1) Remove fuel pump assembly. <Ref. to FU-73, REMOVAL, Fuel Pump.>
- 2) Disconnect connector from fuel pump bracket.



- 3) Pushing the pawls with a screwdriver, remove fuel meter unit by pulling it downwards.

NOTE:

Replace fuel filter pawls with new ones as they might brake when removed.



B: INSTALLATION S175026A11

Install in the reverse order of removal.

WARNING:

- Ground cable must be connected.
- Spark may occur and ignite if fuel is nearby.

