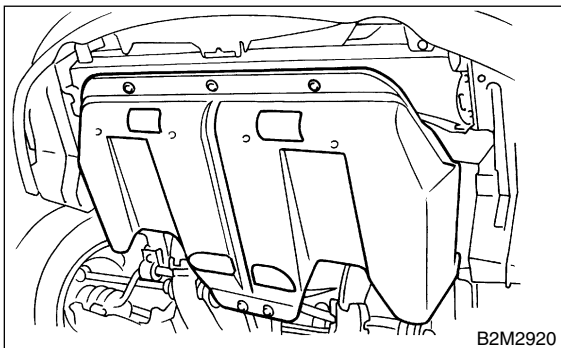


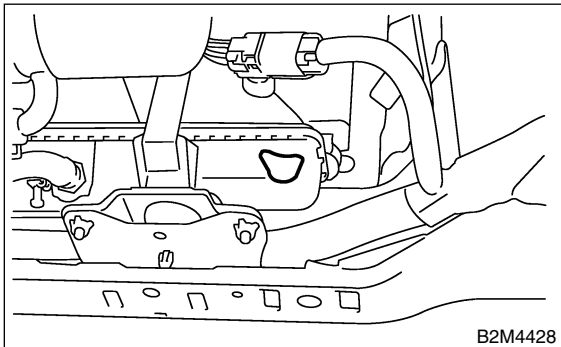
## 6. Thermostat S146062

### A: REMOVAL S146062A18

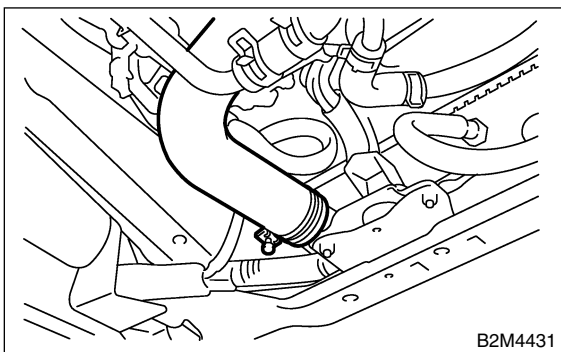
- 1) Lift-up the vehicle.
- 2) Remove under cover.



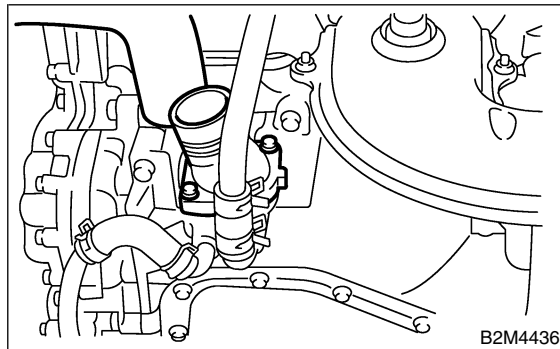
- 3) Drain engine coolant completely. <Ref. to CO(H6)-18, DRAINING OF ENGINE COOLANT, REPLACEMENT, Engine Coolant.>



- 4) Disconnect radiator outlet hose from thermostat cover.



- 5) Remove thermostat cover and gasket, and pull out the thermostat.



### B: INSTALLATION S146062A11

- 1) Install the thermostat to oil pan upper, and install the thermostat cover together with a new gasket.

**NOTE:**

When reinstalling the thermostat, use a new gasket.

**Tightening torque:**

**6.4 N·m (0.65 kgf-m, 4.7 ft-lb)**

- 2) Connect radiator outlet hose to thermostat cover.
- 3) Fill coolant. <Ref. to CO(H6)-18, FILLING OF ENGINE COOLANT, REPLACEMENT, Engine Coolant.>

## C: INSPECTION S146062A10

Replace the thermostat if the valve does not close completely at an ambient temperature or if the following test shows unsatisfactory results.

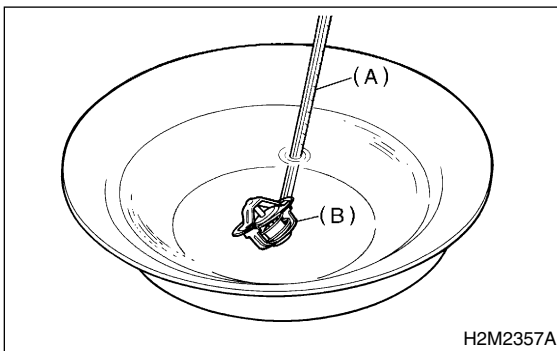
Immerse the thermostat and a thermometer in water. Raise water temperature gradually, and measure the temperature and valve lift when the valve begins to open and when the valve is fully opened. During the test, agitate the water for even temperature distribution. The measurement should be to the specification.

**Starts to open:**

**76.0 — 80.0°C (169 — 176°F)**

**Fully opens:**

**91°C (196°F)**



- (A) Thermometer
- (B) Thermostat