

REAR EXHAUST PIPE

Exhaust

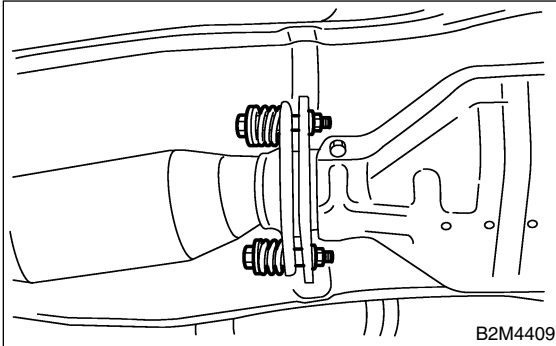
3. Rear Exhaust Pipe S142068

A: REMOVAL S142068A18

1) Separate rear exhaust pipe from front exhaust pipe.

CAUTION:

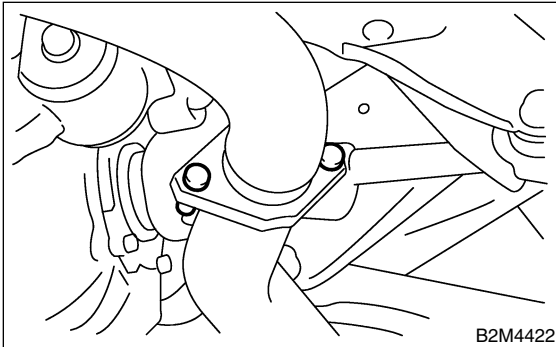
Be careful, exhaust pipe is hot.



2) Separate rear exhaust pipe from muffler.

CAUTION:

Be careful not to pull down rear exhaust pipe.



3) Remove rear exhaust pipe.

B: INSTALLATION S142068A11

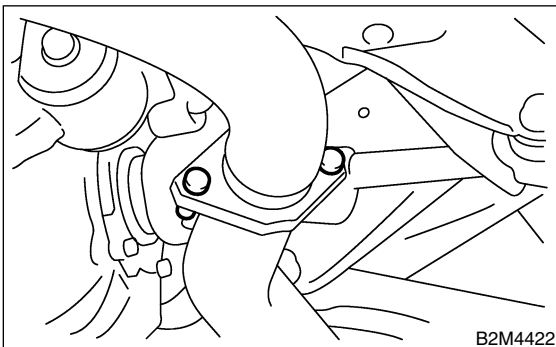
NOTE:

Replace gaskets with new ones.

1) Install rear exhaust pipe to muffler.

Tightening torque:

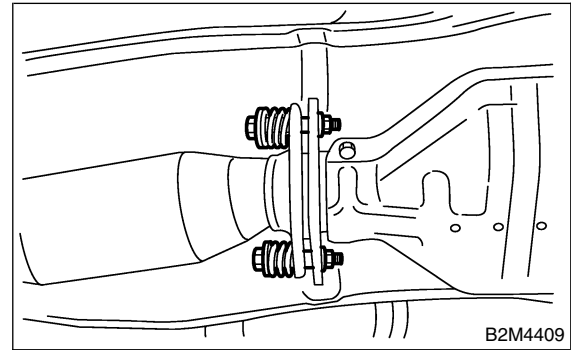
48 N·m (4.9 kgf·m, 35.4 ft·lb)



2) Install rear exhaust pipe to front exhaust pipe.

Tightening torque:

18 N·m (1.8 kgf·m, 13.0 ft·lb)



C: INSPECTION S142068A10

- 1) Make sure there are no exhaust leaks from connections and welds.
- 2) Make sure there are no holes or rusting.
- 3) Make sure the cushion rubber is not worn or cracked.