

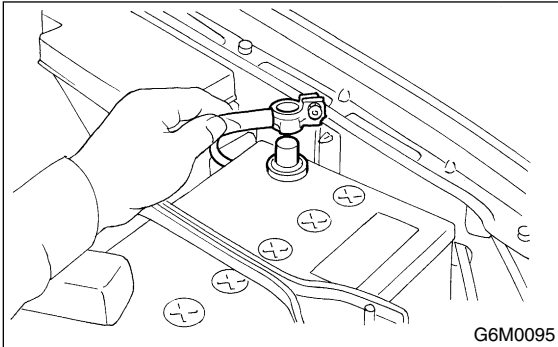
KNOCK SENSOR

Fuel Injection (Fuel Systems)

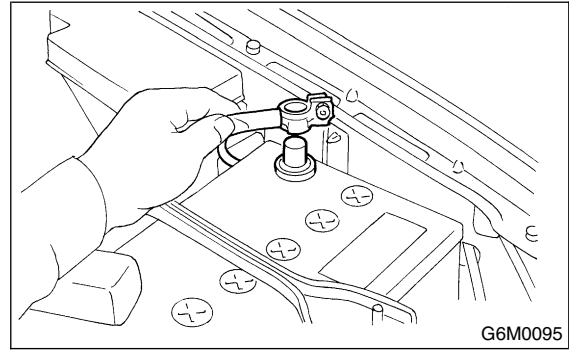
7. Knock Sensor S145042

A: REMOVAL S145042A18

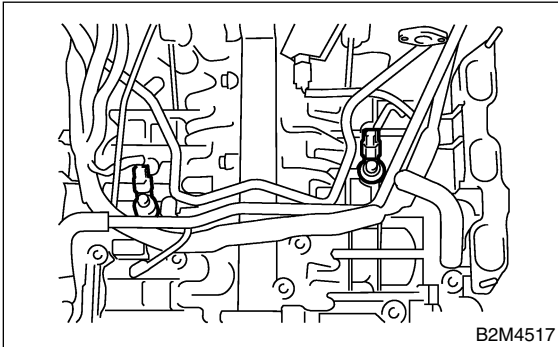
- 1) Disconnect battery ground cable from battery.



- 4) Connect battery ground cable.



- 2) Remove intake manifold.
<Ref. to FU(H6)-17, REMOVAL, Intake Manifold.>
- 3) Disconnect knock sensor connector.
- 4) Remove knock sensor from cylinder block.



B: INSTALLATION S145042A11

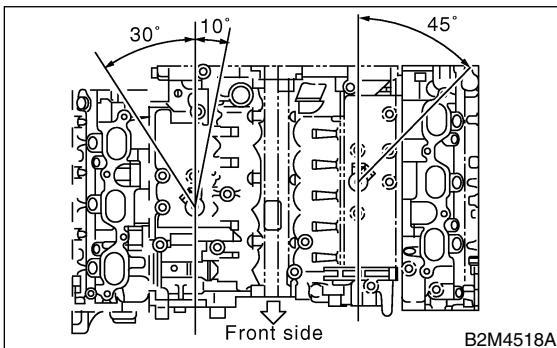
- 1) Install knock sensor to cylinder block.

Tightening torque:

25 N·m (2.5 kgf·m, 18 ft·lb)

NOTE:

For the knock sensor's installation angle, refer to the figure below.



- 2) Connect knock sensor connector.
- 3) Install intake manifold. <Ref. to FU(H6)-21, INSTALLATION, Intake Manifold.>