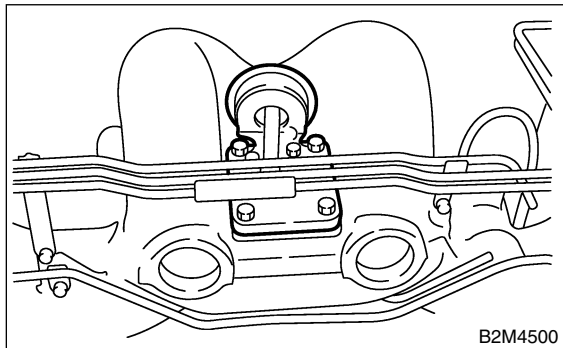


12. Induction Valve S145742

A: REMOVAL S145742A18

- 1) Disconnect battery ground cable.
- 2) Remove intake manifold.
<Ref. to FU(H6)-17, REMOVAL, Intake Manifold.>
- 3) Remove induction valve from intake manifold.



B: INSTALLATION S145742A11

Install in the reverse order of removal.

NOTE:

Always use a new gasket.

Tightening torque:

19 N·m (1.9 kgf-m, 14 ft-lb)