

24. Fuel Level Sensor S145026

A: REMOVAL S145026A18

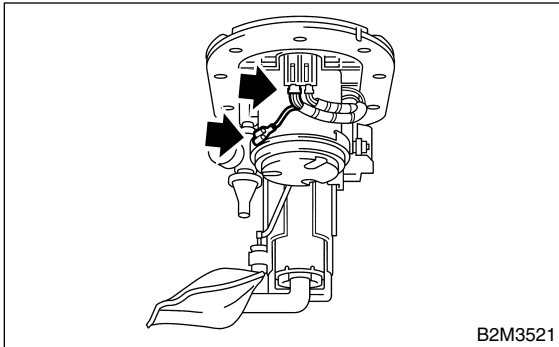
WARNING:

- Place “NO FIRE” signs near the working area.
- Be careful not to spill fuel on the floor.

NOTE:

Fuel level sensor is built in fuel pump assembly.

- 1) Remove fuel pump assembly. <Ref. to FU(H6)-70, REMOVAL, Fuel Pump.>
- 2) Disconnect connector from fuel pump bracket.

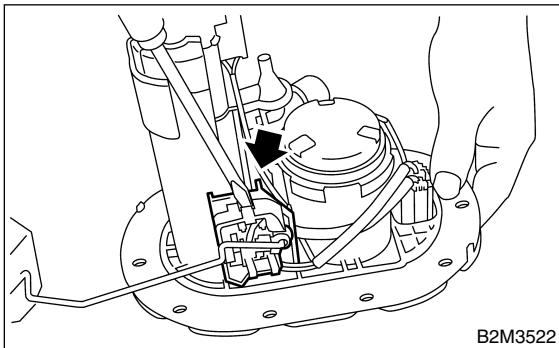


B2M3521

- 3) Pushing the pawls with a screwdriver, remove fuel meter unit by pulling it downwards.

NOTE:

Replace fuel filter pawls with new ones as they might break when removed.



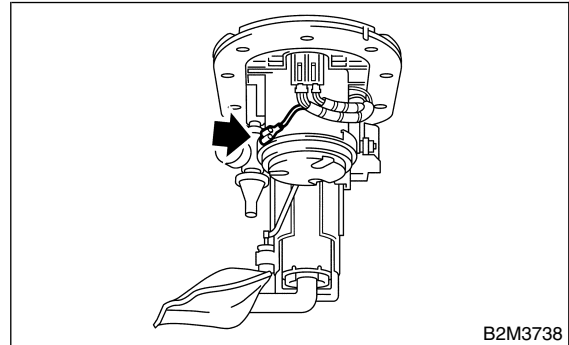
B2M3522

B: INSTALLATION S145026A11

Install in the reverse order of removal.

WARNING:

- Ground cable must be connected.
- Spark may occur and ignite if fuel is nearby.



B2M3738