

TIMING CHAIN ASSEMBLY

Mechanical

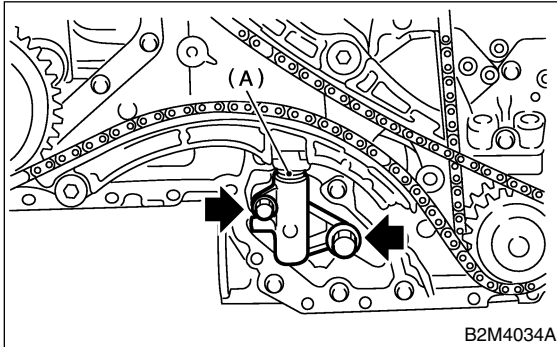
12. Timing Chain Assembly S143740

A: REMOVAL S143740A18

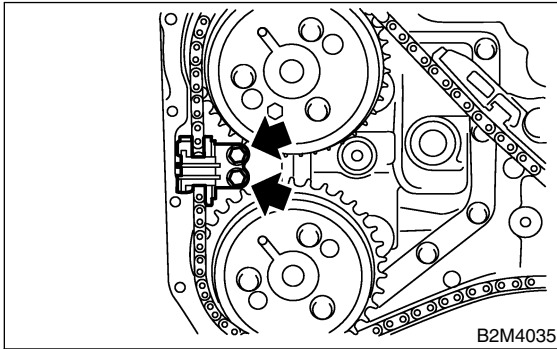
- 1) Remove crankshaft pulley. <Ref. to ME(H6)-39, REMOVAL, Crankshaft Pulley.>
- 2) Remove front chain cover. <Ref. to ME(H6)-40, REMOVAL, Front Chain Cover.>
- 3) Remove chain tensioner (RH).

NOTE:

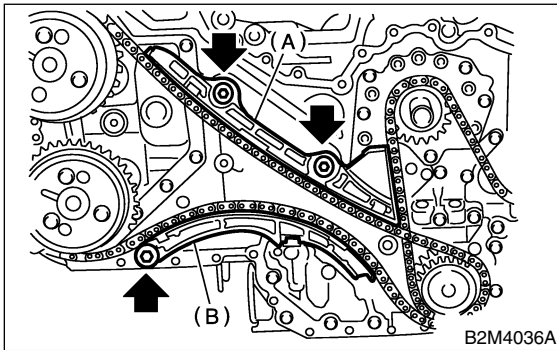
Make sure plunger (A) does not come out.



- 4) Remove chain guide. (Right-hand between cams)



- 5) Remove chain guide (RH).
- 6) Remove chain tensioner lever (RH).



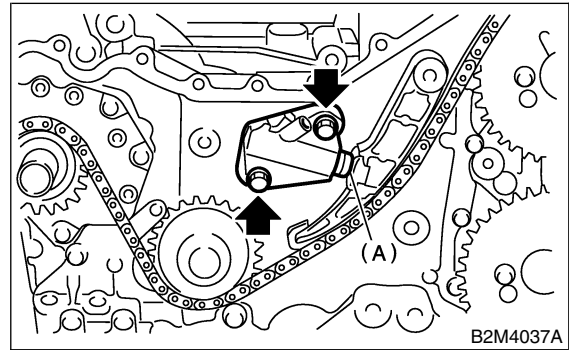
- (A) Chain guide (RH)
- (B) Chain tensioner lever (RH)

- 7) Remove timing chain (RH).

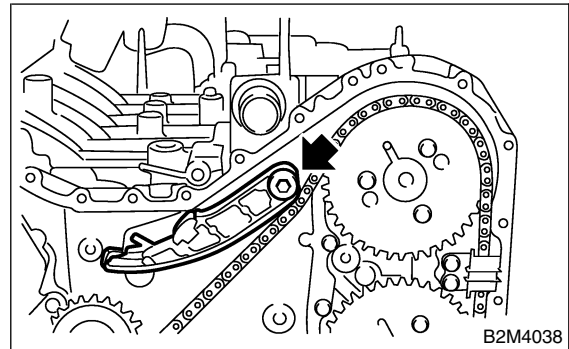
- 8) Remove chain tensioner (LH).

NOTE:

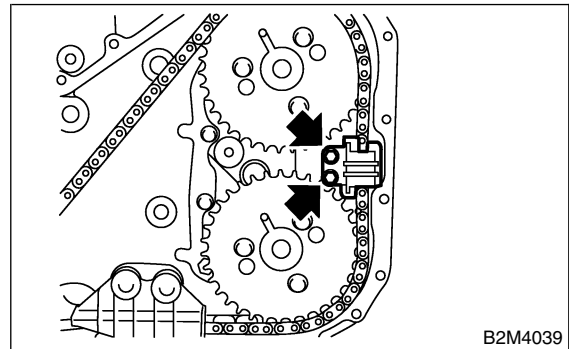
Make sure plunger (A) does not come out.



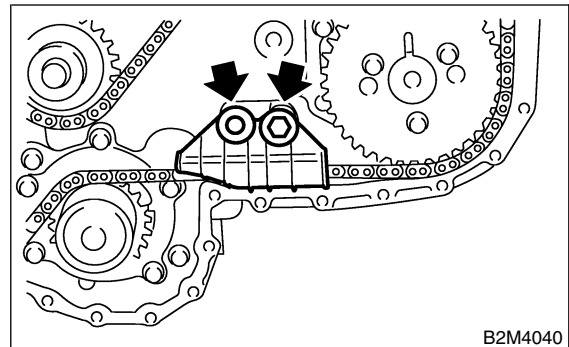
- 9) Remove chain tensioner lever (LH).



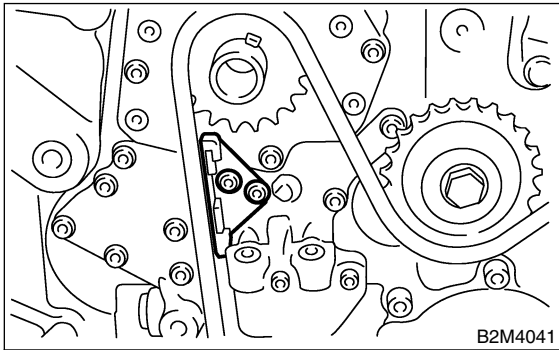
- Remove chain guide. (Left-hand between cams)



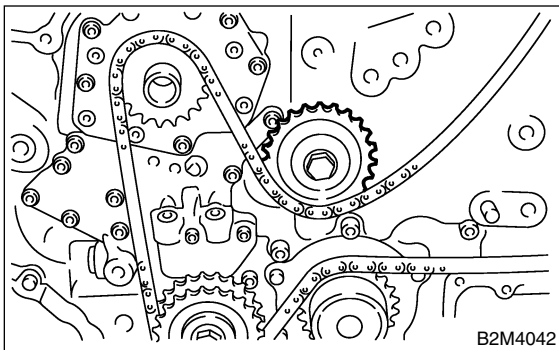
- 10) Remove chain guide (LH).



11) Remove chain guide. (Center)

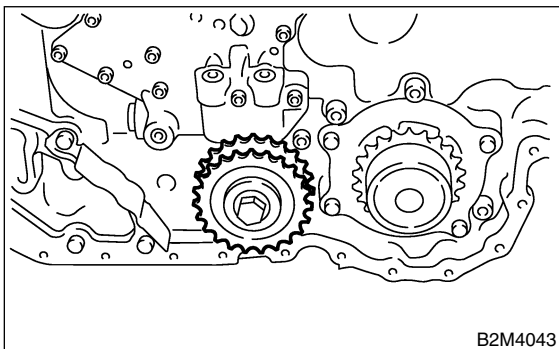


12) Remove idler sprocket. (Upper)



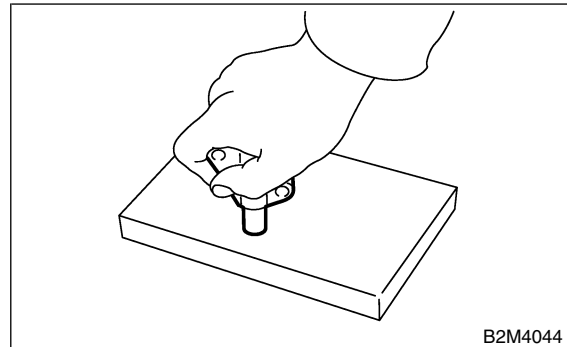
13) Remove timing chain (LH).

14) Remove idler sprocket. (Lower)



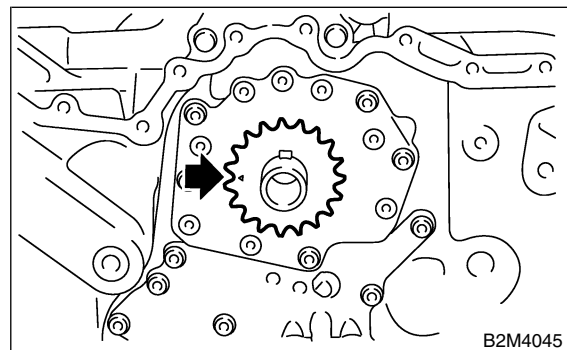
NOTE:

Carry out the work on rubber mat or other nonslip material.



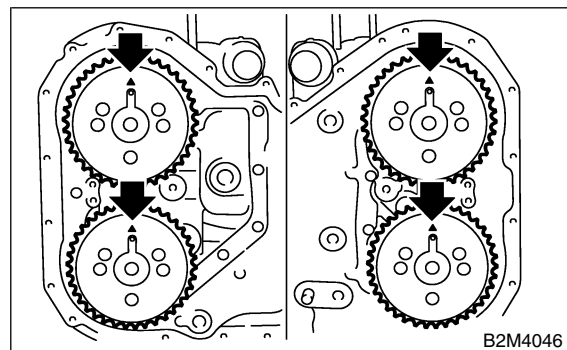
2) Using ST, align "top mark" on crankshaft sprocket at 9 o'clock position as shown in the figure.

ST 18252AA000 CRANKSHAFT SOCKET



3) Using ST, align four key grooves on camshaft sprocket at 12 o'clock position as shown in the figure.

ST 18231AA000 CAMSHAFT SPROCKET WRENCH



B: INSTALLATION

S143740A11

CAUTION:

- During installation, be careful to prevent foreign objects from attaching to or mixing with assembled components.
- Apply engine oil to chain guide, chain tensioner lever, and idler sprocket during installation.

- 1) Preparation for installation of chain tensioner.
 - (1) Put the screw, spring, pin and tension rod into the tensioner body.
 - (2) While pressing tensioner onto rubber mat, twist it left and right to shorten tension rod. Then set a thin pin into the holes between tension rod and tensioner body to hold it.

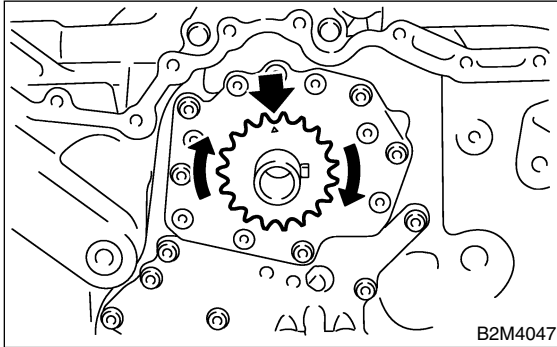
TIMING CHAIN ASSEMBLY

Mechanical

4) Rotate crankshaft sprocket clockwise to align "top mark" at 12 o'clock position as shown in the figure. (Piston # 1 is at TDC.)

CAUTION:

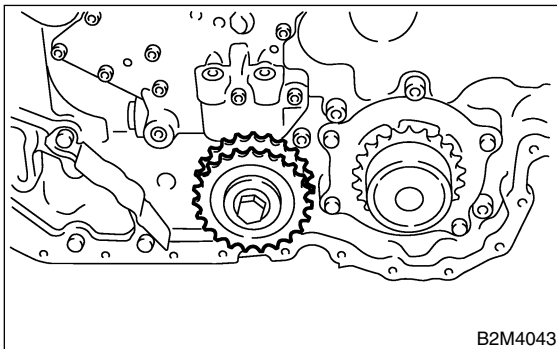
Do not rotate crankshaft and camshaft sprockets until timing chain is completely routed.



5) Install the idler sprocket. (Lower)

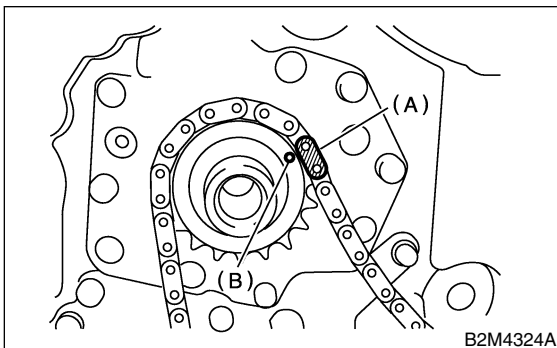
Tightening torque:

69 N·m (7.0 kgf-m, 50.6 ft-lb)



6) Install timing chain LH.

(1) Align the timing mark (B) on crankshaft sprocket with the matching mark (A) on timing chain LH.

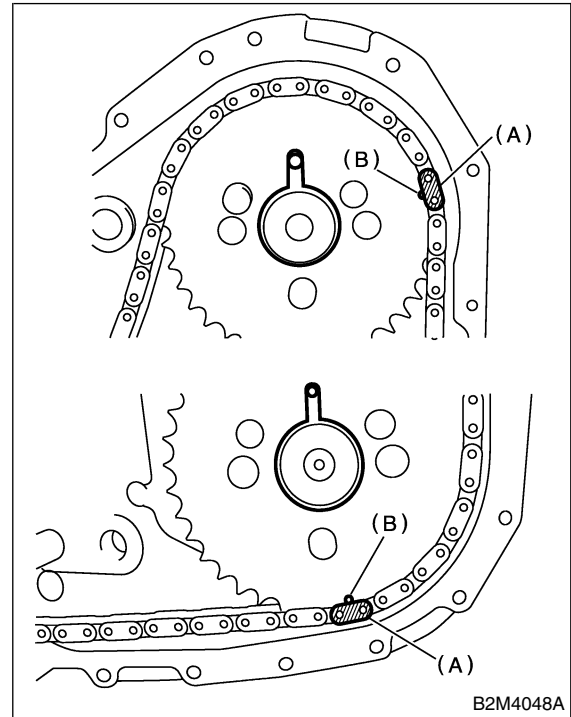


(A) Gold

(2) Route timing chain LH on idler sprocket (Lower), water pump, exhaust cam sprocket, and intake cam sprocket in order.

CAUTION:

Make sure that matching marks on the timing chain (A) and camshaft sprocket (B) are aligned the same way as the one on crankshaft sprocket.

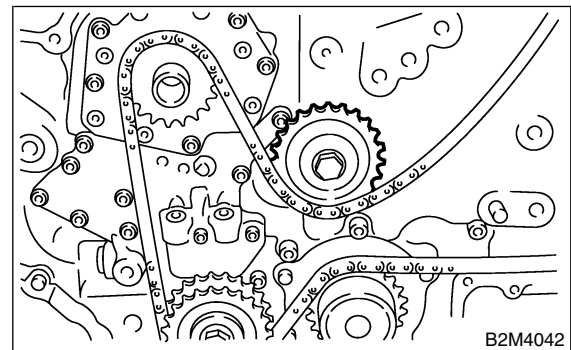


(A) Dark blue

(3) Install chain idler. (Upper)

Tightening torque:

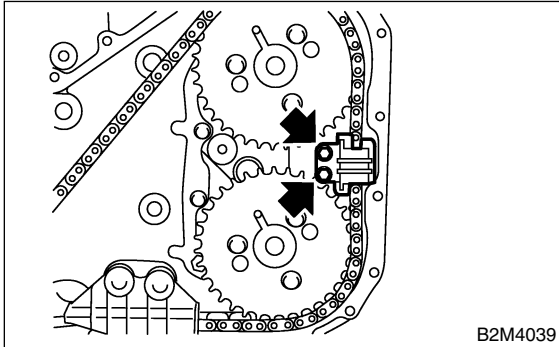
69 N·m (7.0 kgf-m, 50.6 ft-lb)



(4) Install chain guide. (Left-hand between cams)

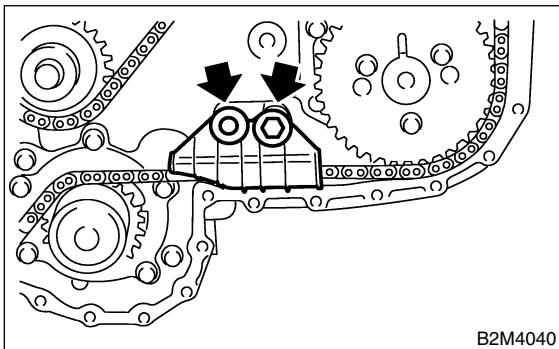
Tightening torque:
6.3N·m (0.64 kgf-m, 4.6 ft-lb)

NOTE:
 Replace mounting bolt with a new one.



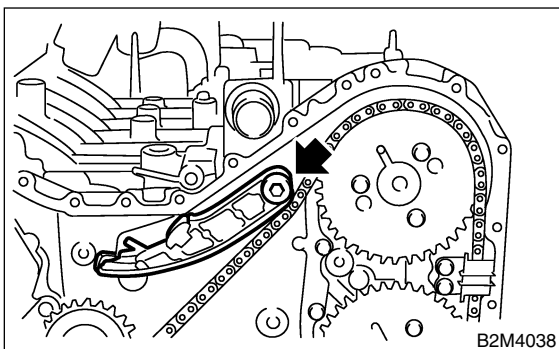
(5) Install chain guide (LH).

Tightening torque:
16 N·m (1.6 kgf-m, 11.6 ft-lb)



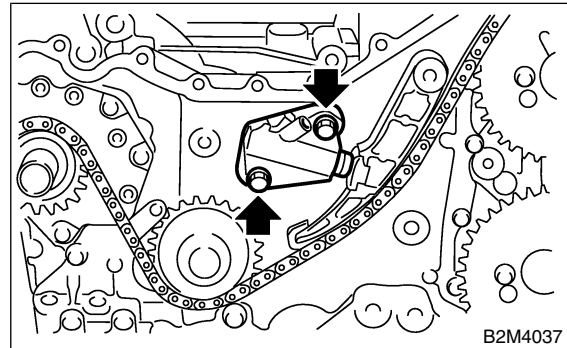
(6) Install chain tensioner lever LH.

Tightening torque:
16 N·m (1.6 kgf-m, 11.6 ft-lb)

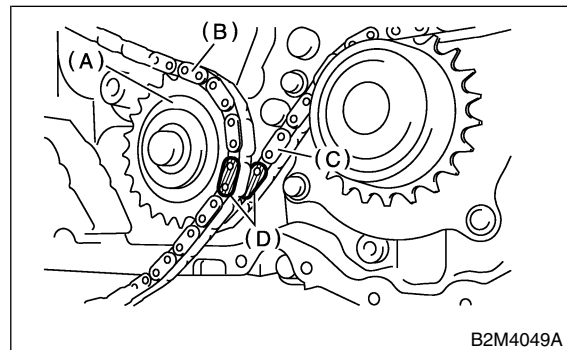


(7) Install chain tensioner LH.

Tightening torque:
16 N·m (1.6 kgf-m, 11.6 ft-lb)



7) Install timing chain RH.
 (1) On idler sprocket (Lower), align matching marks on timing chains LH and RH.



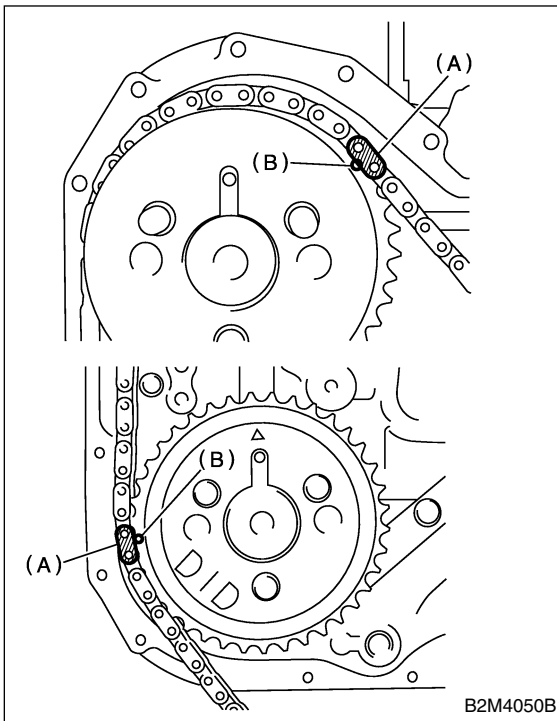
- (A) Lower idler sprocket
- (B) Timing chain RH
- (C) Timing chain LH
- (D) Dark blue

(2) Route timing chain RH on intake cam sprocket and then exhaust cam sprocket.

CAUTION:
 Make sure that matching marks on the timing chain (A) and camshaft sprocket (B) are aligned the same way as the one on crankshaft sprocket.

TIMING CHAIN ASSEMBLY

Mechanical



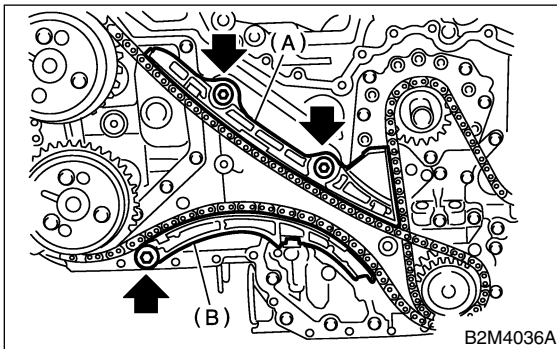
(A) Gold

(3) Install chain guide (RH).

(4) Install chain tensioner lever (RH).

Tightening torque:

16 N-m (1.6 kgf-m, 11.6 ft-lb)



(A) Chain guide (RH)

(B) Chain tensioner lever (RH)

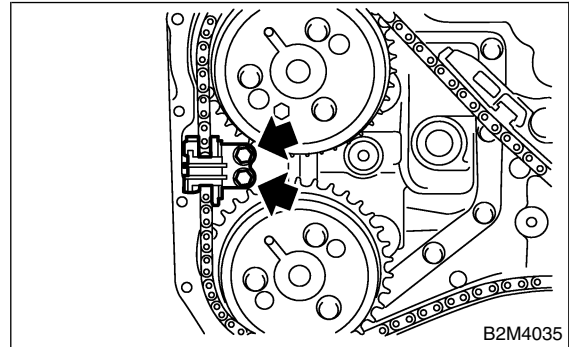
(5) Install timing chain guide RH No. 1.

Tightening torque:

6.3 N-m (0.64 kgf-m, 4.6 ft-lb)

NOTE:

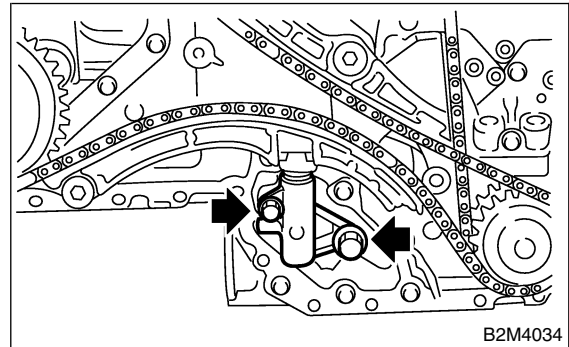
Replace mounting bolt with a new one.



(6) Install the chain tensioner (RH).

Tightening torque:

16 N-m (1.6 kgf-m, 11.6 ft-lb)



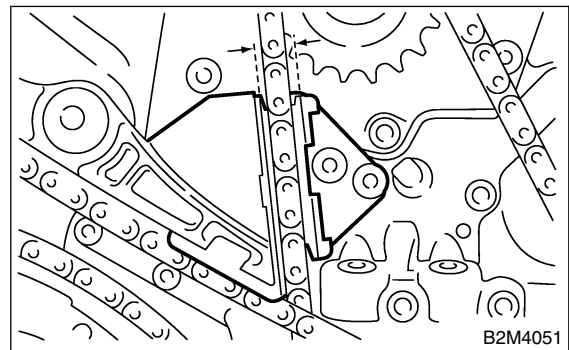
(7) Adjust the clearance between chain guide (RH) and chain guide (Center) to the range between 8.4 mm (0.331 in) to 8.6 mm (0.339 in). And install chain guide (Center).

Tightening torque:

7.8 N-m (0.8 kgf-m, 5.8 ft-lb)

NOTE:

Replace mounting bolt with a new one.



(8) After checking the matching marks on each sprocket and corresponding timing chain are aligned, pull stopper pin out of chain tensioner.