

AIR CLEANER ELEMENT

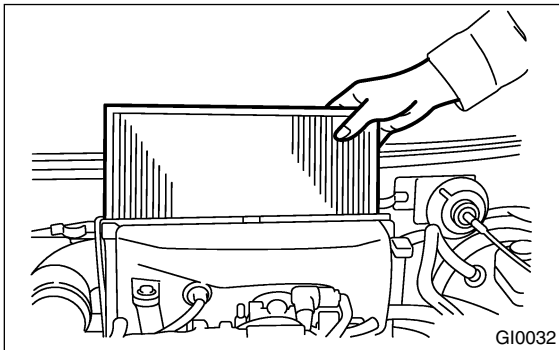
Periodic Maintenance Services

10. Air Cleaner Element SA07687

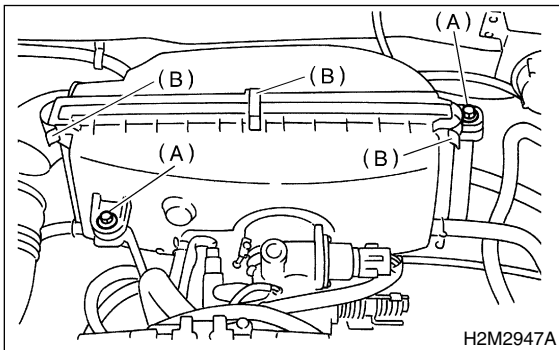
A: REPLACEMENT SA07687A20

1. 4 CYLINDER MODEL SA07687A2003

Do not attempt to clean the air cleaner element. The filter paper of the element is wetted with a special non-inflammable slow-evaporating viscous liquid. It is resistant to cold weather and has a long service life. Dirt adhering to this filter paper forms porous laminations with the viscous liquid, which function as a filtration layer to reduce dust penetration into the filter paper. If this filter paper is cleaned, the filtration layer thus formed will be lost along with the viscous liquid.



- 1) Remove bolts (A) which install air cleaner case to stays.
- 2) Remove the clip (B) above the air cleaner case.



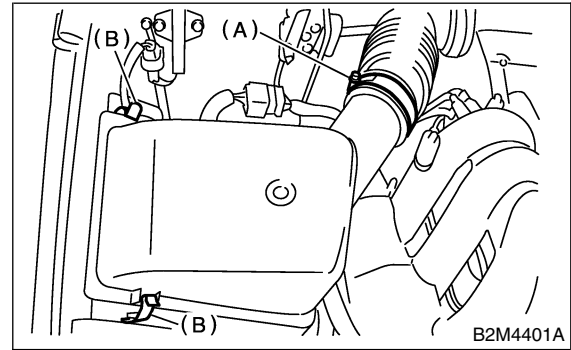
- 3) Remove air cleaner element.
- 4) Install in the reverse order of removal.

CAUTION:
Fasten with a clip after inserting the lower tab of the case.

2. 6 CYLINDER MODEL SA07687A2004

Do not attempt to clean the air cleaner element. The filter paper of the element is wetted with a special non-flammable slow-evaporating viscous liquid. It is resistant to cold weather and has a long service life. Dirt adhering to this filter paper forms porous laminations with the viscous liquid, which function as a filtration layer to reduce dust penetration into the filter paper. If this filter paper is cleaned, the filtration layer thus formed will be lost along with the viscous liquid.

- 1) Loosen clamp (A), and separate air cleaner upper cover and air intake boot.
- 2) Remove the clip (B) above the air cleaner upper cover.



- 3) Remove air cleaner element.
- 4) Install in the reverse order of removal.

NOTE:
Before installing air cleaner upper cover, align holes with protruding portions of air cleaner lower case, then secure upper cover to lower case.

