

# WHEEL BEARING

Periodic Maintenance Services

## 22. Wheel Bearing SA07698

### A: INSPECTION SA07698A10

#### 1. FRONT WHEEL BEARING SA07698A1001

**NOTE:**

Inspect the condition of front wheel bearing grease.

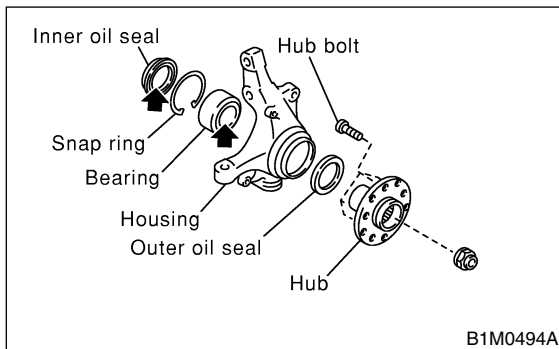
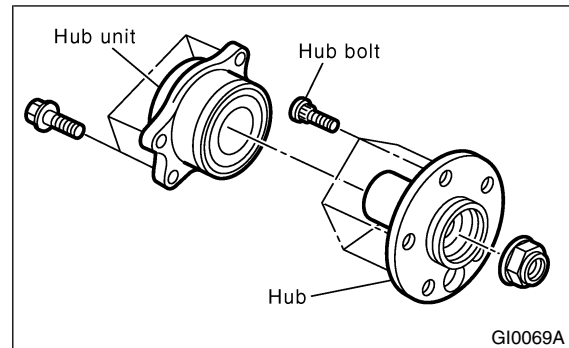
- 1) Jack up the front of vehicle.
- 2) While holding front wheel by hand, swing it in and out to check bearing free play.
- 3) Loosen wheel nuts and remove front wheel.
- 4) If bearing free play exists in step 2) above, attach a dial gauge to hub and measure axial displacement in axial direction.

**Service limit:**

***Straight-ahead position within 0.05 mm  
(0.0020 in)***

- 5) Remove bolts and self-locking nuts, and extract transverse link from front crossmember.
  - 6) While lightly hammering spring pin which secures SFJ to transmission spindle, remove it.
  - 7) Extract SFJ from transmission spindle. <Ref. to DS-16, Front Axle.>
  - 8) While supporting front drive shaft horizontally with one hand, turn hub with the other to check for noise or binding.
- If hub is noisy or binds, disassemble front axle and check condition of oil seals, bearing, etc.

- 6) While supporting rear drive shaft horizontally with one hand, turn hub assembly with the other to check for noise or binding.
- If hub assembly is noisy or binds, disassemble rear axle and check condition of oil seals, bearings, etc.



#### 2. REAR WHEEL BEARING SA07698A1002

- 1) Jack up the rear of vehicle.
- 2) While holding rear wheel by hand, swing it in and out to check bearing free play.
- 3) Loosen wheel nuts and remove rear wheel.
- 4) If bearing free play exists in step 2) above, attach a dial gauge to hub assembly and measure axial displacement in axial direction.

**Service limit:**

***Straight-ahead position within 0.05 mm  
(0.0020 in)***

- 5) Remove the DOJ of rear drive shaft from rear differential. <Ref. to DS-31, Rear Drive Shaft.>