

# PRESSURE SWITCH (DUAL SWITCH)

HVAC System (Heater, Ventilator and A/C)

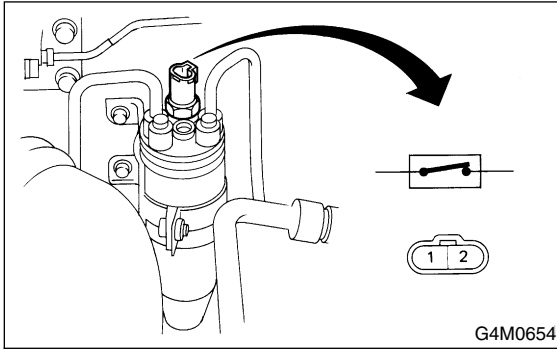
## 18. Pressure Switch (Dual Switch)

S701555

### A: INSPECTION

S701555A10

- 1) Connect the manifold gauge to the service valve on the high-pressure side.
- 2) Remove the pressure switch harness connector. Using a circuit tester, inspect the ON-OFF operation of the pressure switch.



	Tester connection	Operation	Specified condition kPa (kg/cm <sup>2</sup> , psi)
High and low pressure switch	1 — 2	Turns OFF.	Increasing to 2,942±196 (30±2, 427±28)
			Decreasing to 177±20 (1.8±0.2, 26±3)
		Turns ON.	Increasing to 216 (2.2, 31) or less
			Decreasing to 2,354±196 (24±2, 341±28)