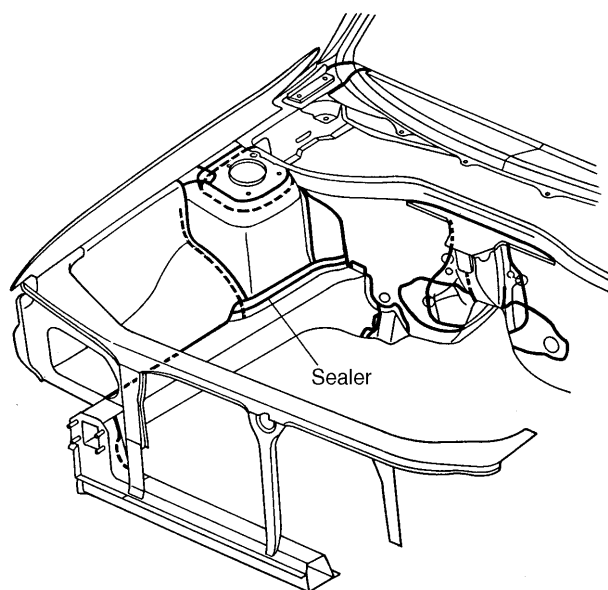


SEALER APPLICATION

Body Structure

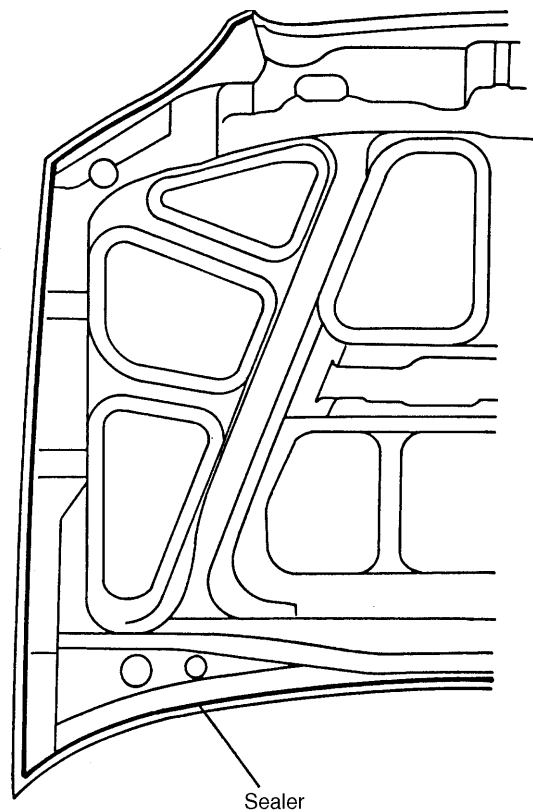
7. Sealer Application

A: ENGINE COMPARTMENT



B5H0616A

B: ENGINE HOOD



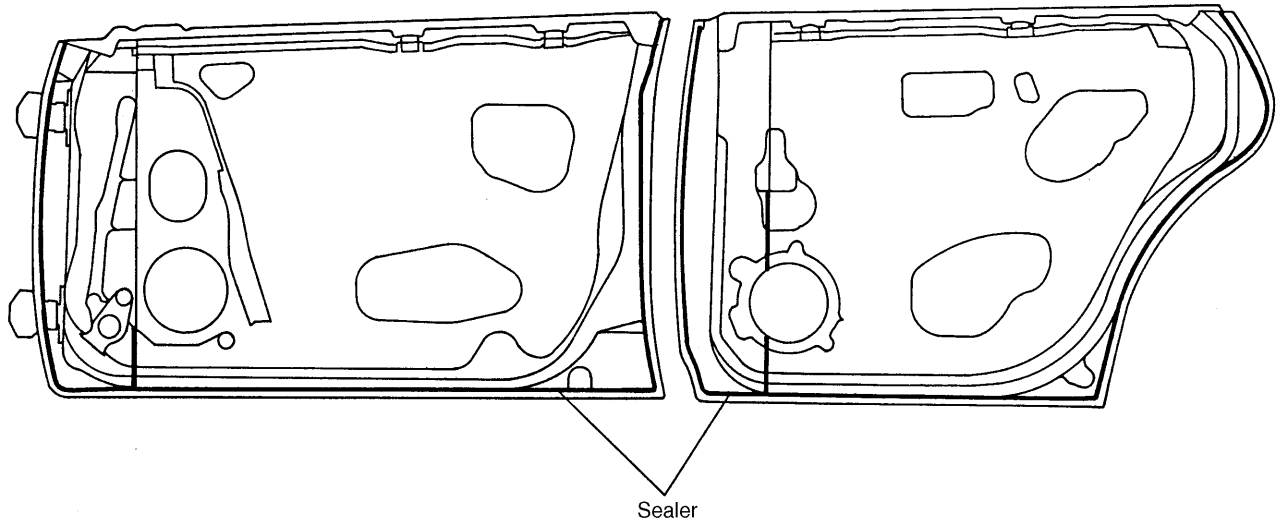
B5H0617A

BS-8

SEALER APPLICATION

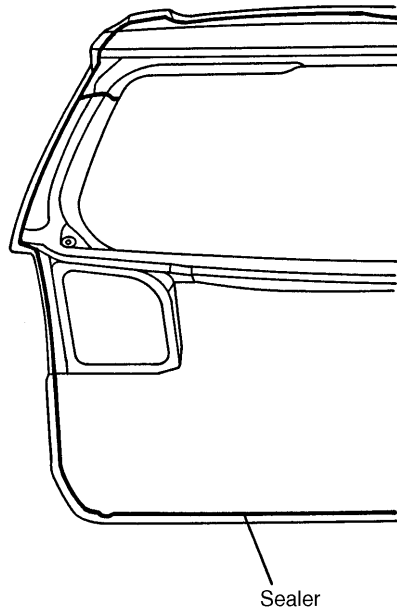
Body Structure

C: DOOR



B5H0618A

D: REAR GATE



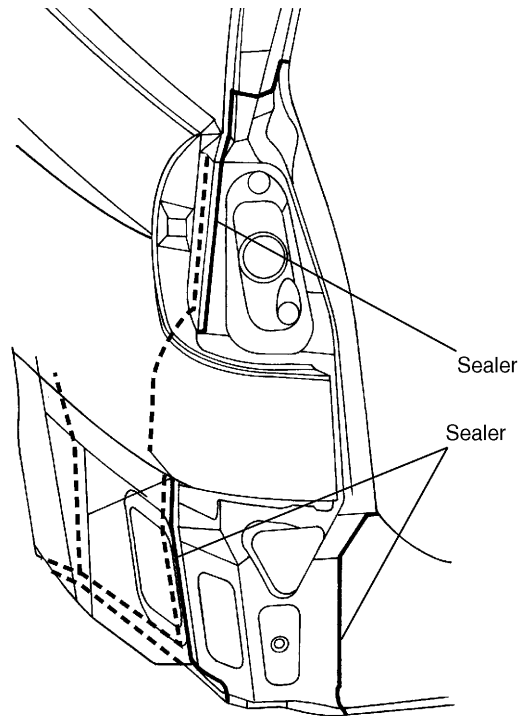
B5H0619A

BS-9

SEALER APPLICATION

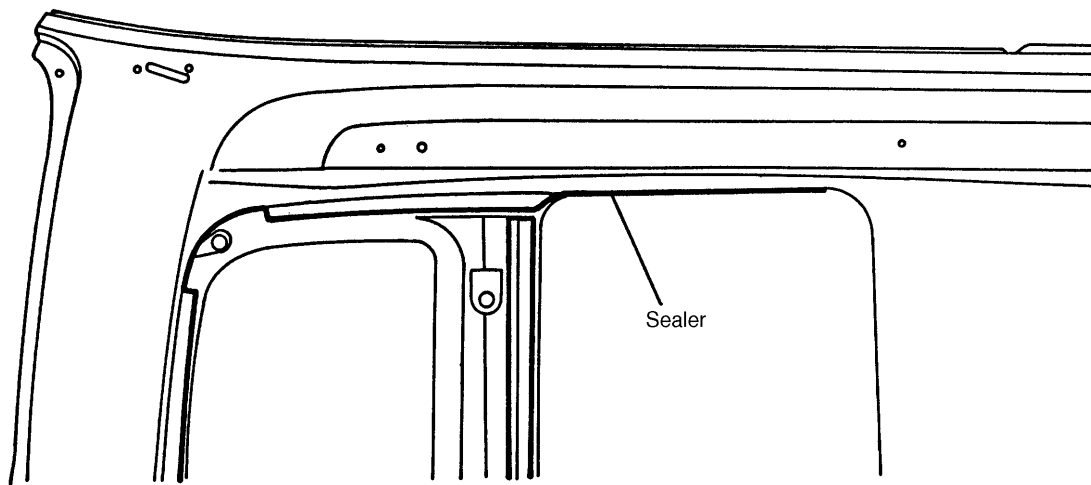
Body Structure

E: REAR END (WAGON)



B5H0832A

F: ROOF PANEL (SUN-ROOFED WAGON)



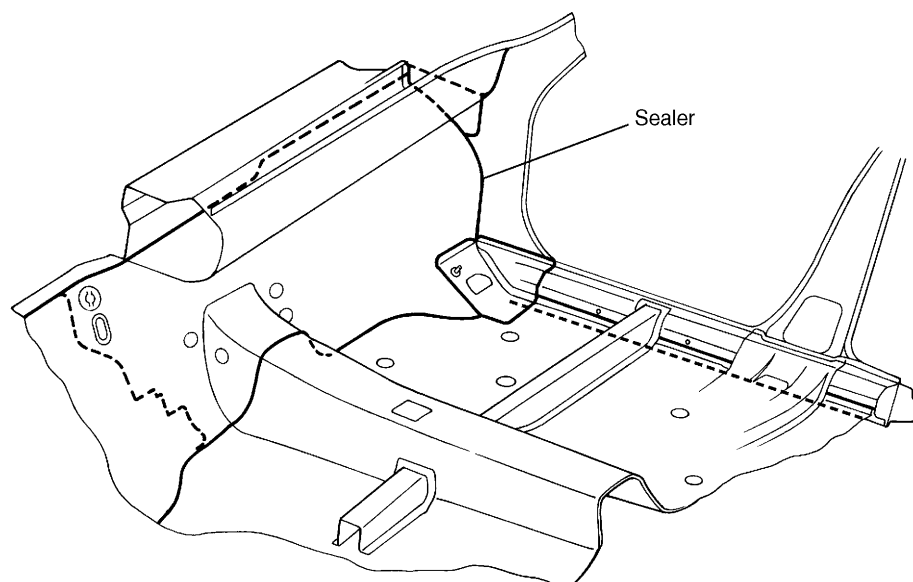
B5H0621A

BS-10

SEALER APPLICATION

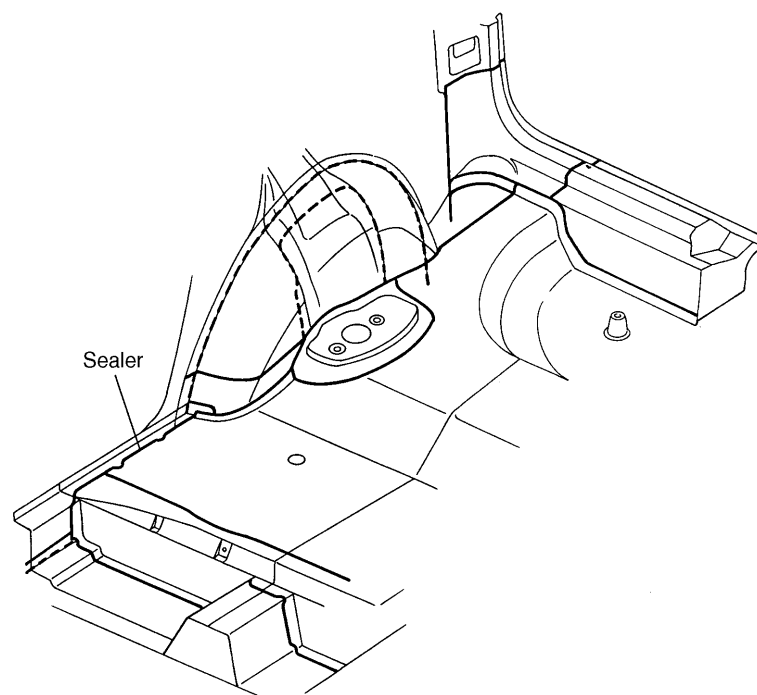
Body Structure

G: FRONT FLOOR



B5H0833A

H: REAR FLOOR



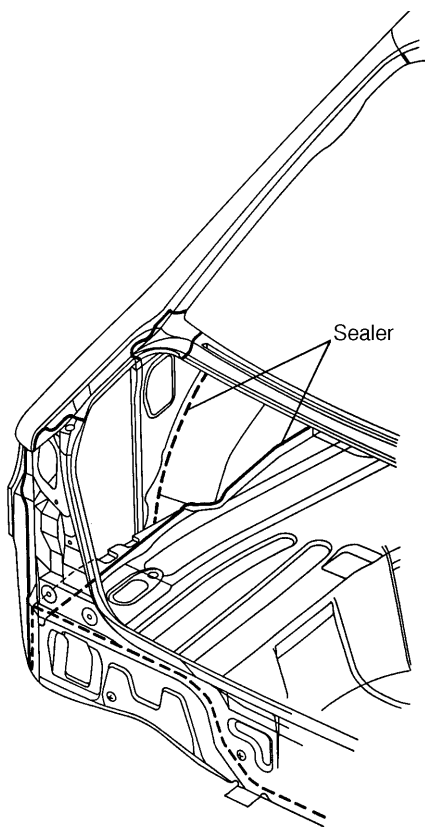
B5H0623A

BS-11

SEALER APPLICATION

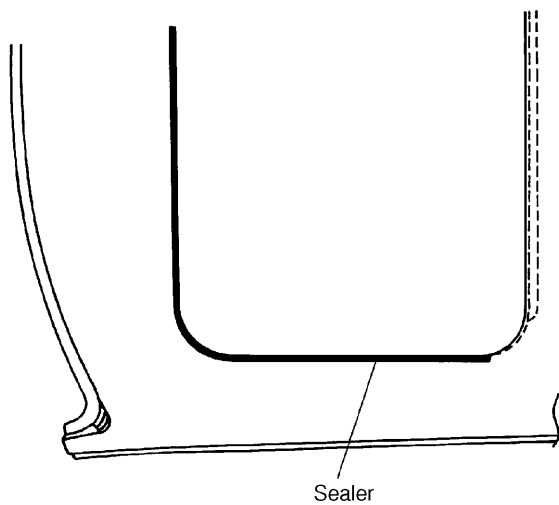
Body Structure

I: REAR END (SEDAN)



B5H0788A

J: ROOF PANEL (SUN-ROOFED SEDAN)



B5H0834A

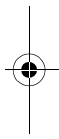
BS-12



SEALER APPLICATION

Body Structure

MEMO



BS-13

