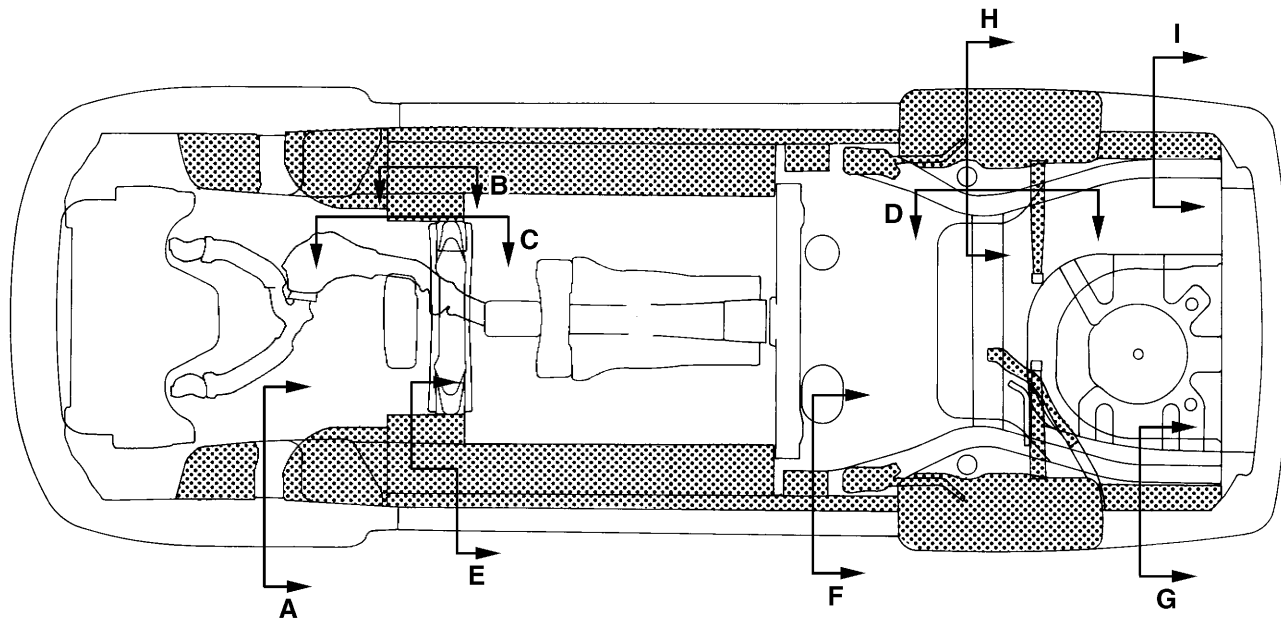


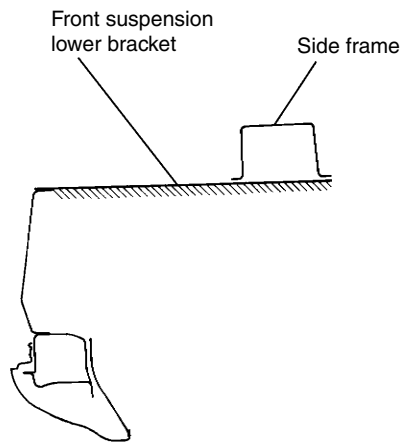
ANTI-RUST WAX (BITUMEN WAX) APPLICATION

Body Structure

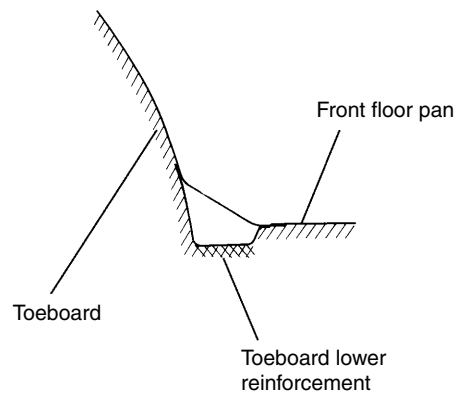
8. Anti-rust Wax (Bitumen Wax) Application



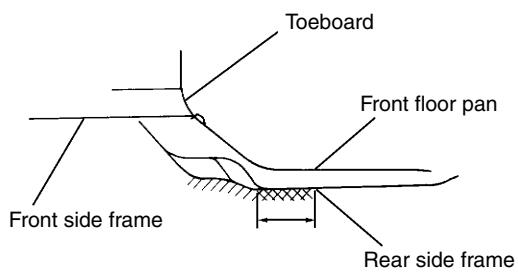
Body lower surface



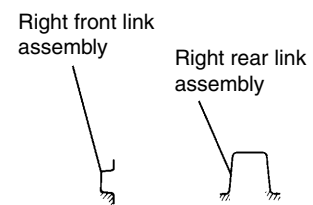
Section A



Section B



Section C



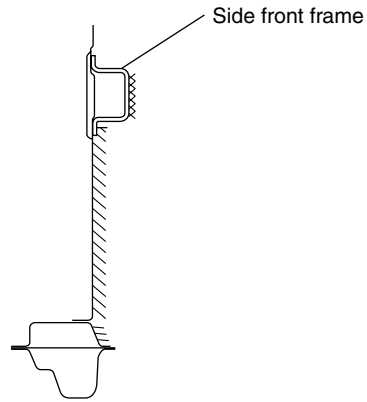
Section D

B5H0611B

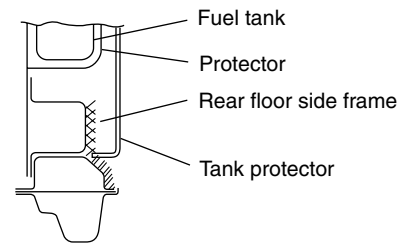
BS-14

ANTI-RUST WAX (BITUMEN WAX) APPLICATION

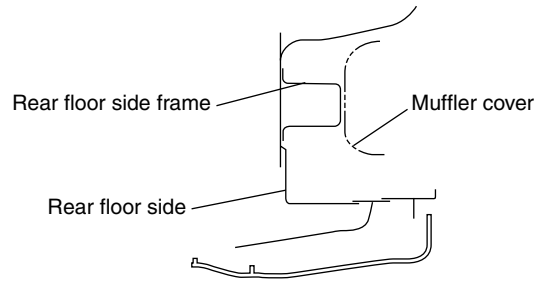
Body Structure



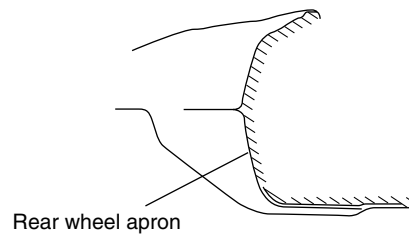
Section E



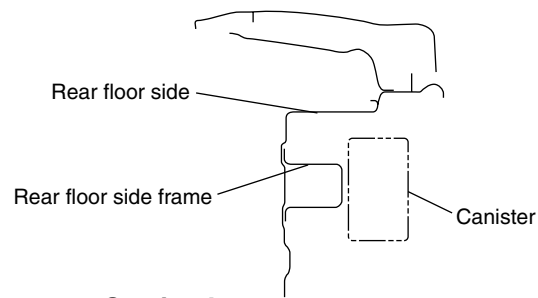
Section F



Section G



Section H



Section I

B5H1209A

BS-15