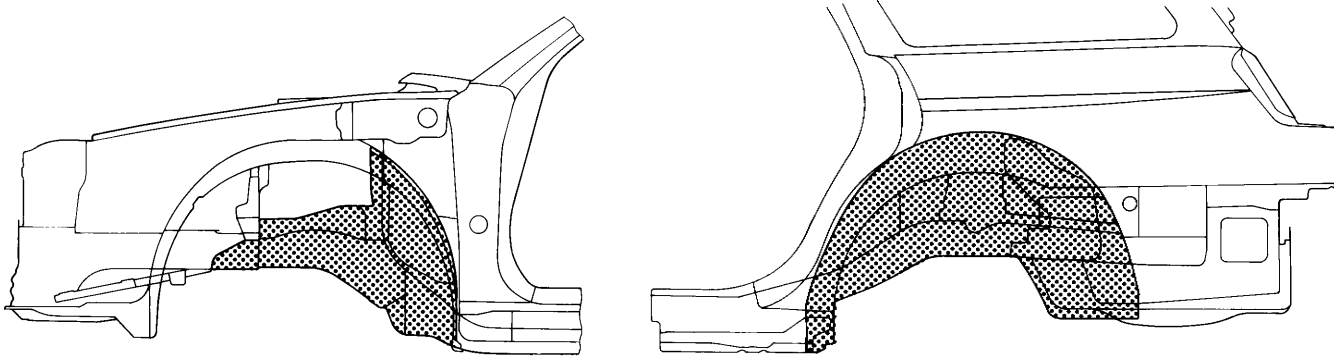
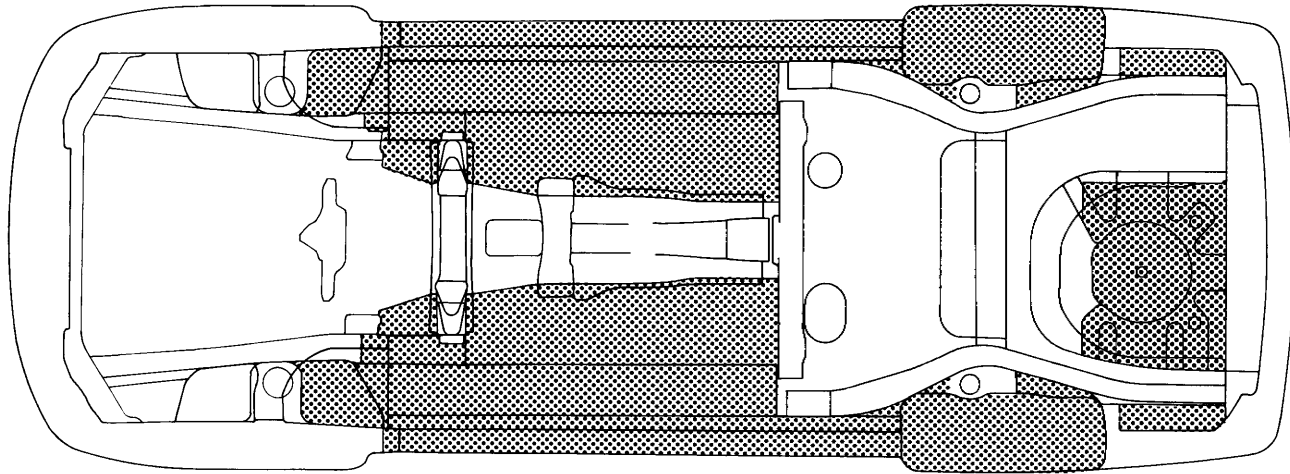


POLYVINYL CHLORIDE (PVC) APPLICATION

Body Structure

9. Polyvinyl Chloride (PVC) Application



B5H0624

BS-16