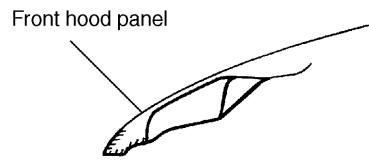
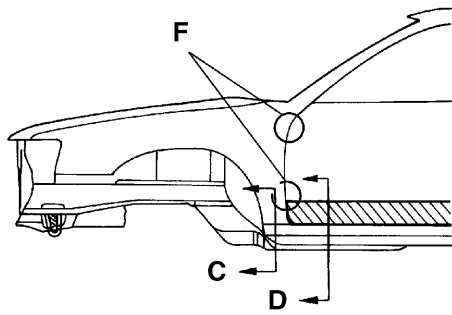
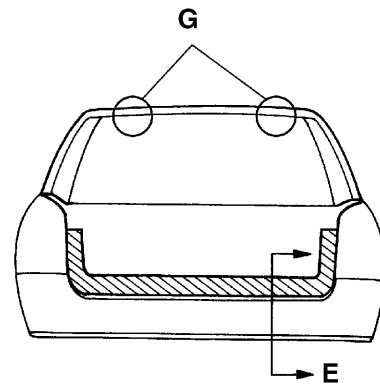
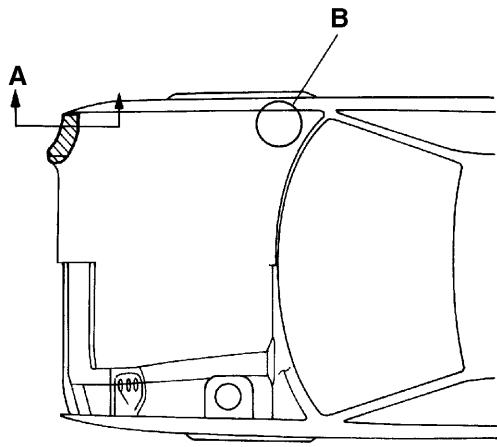


HOT WAX APPLICATION

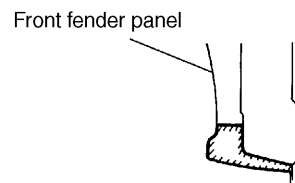
Body Structure

10.Hot Wax Application

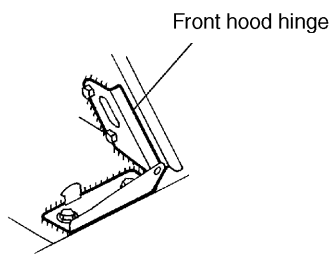
WAGON



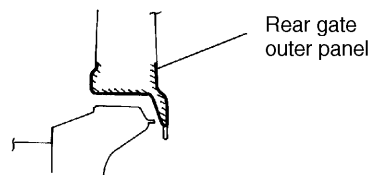
Section A



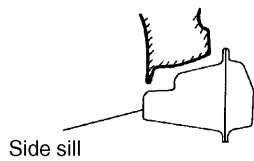
Section C



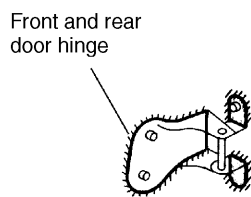
View B



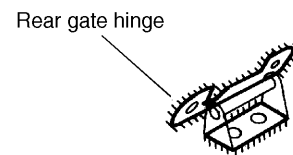
Section E



Section D



Section F



Section G

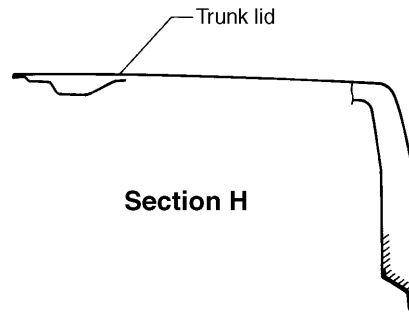
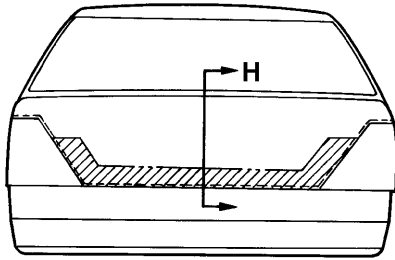
B5H0836A

BS-17

HOT WAX APPLICATION

Body Structure

SEDAN



B5H0837A

BS-18