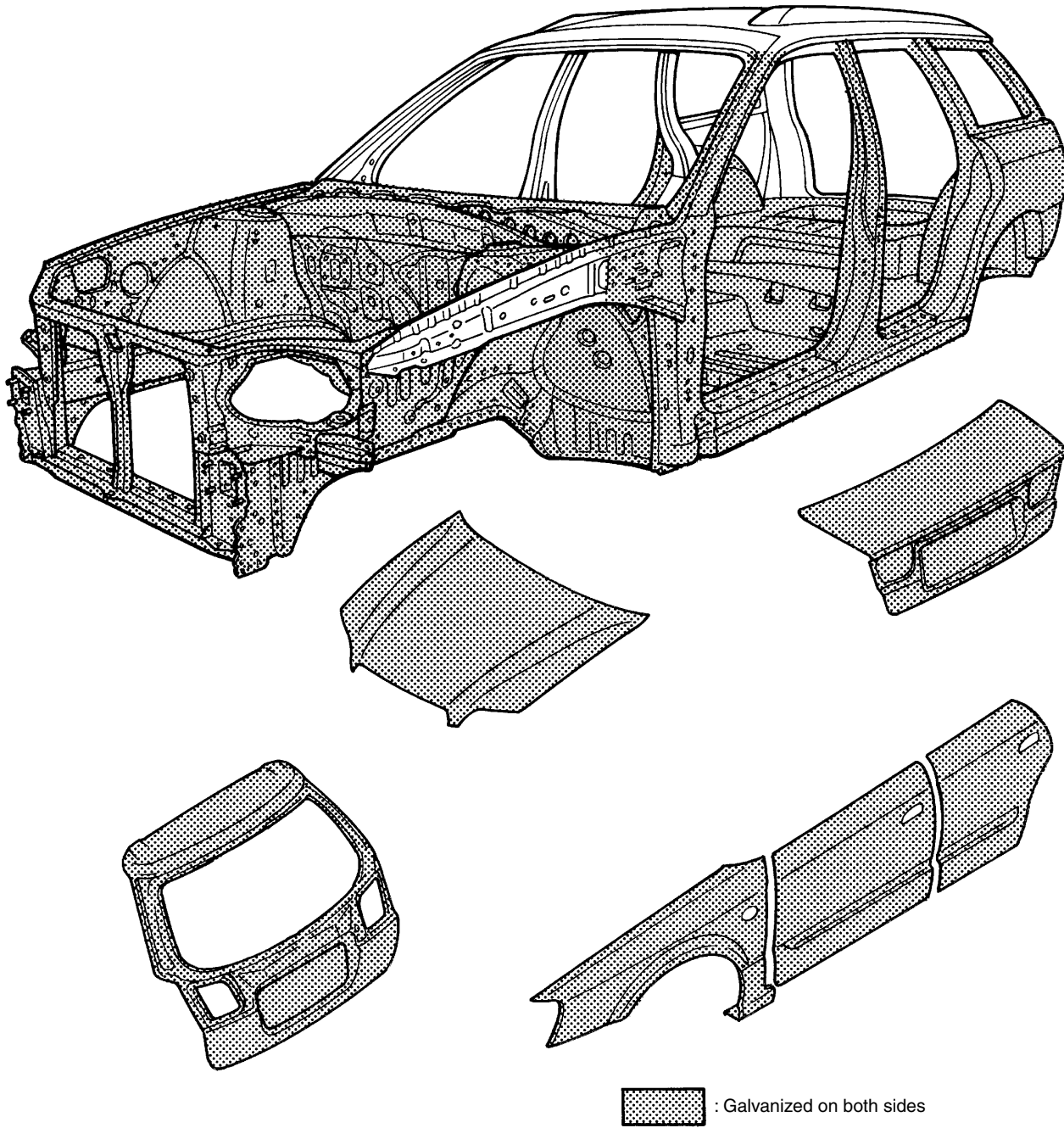


GALVANIZED SHEET METAL APPLICATION

Body Structure

12.Galvanized Sheet Metal Application



B5H0838B

BS-20