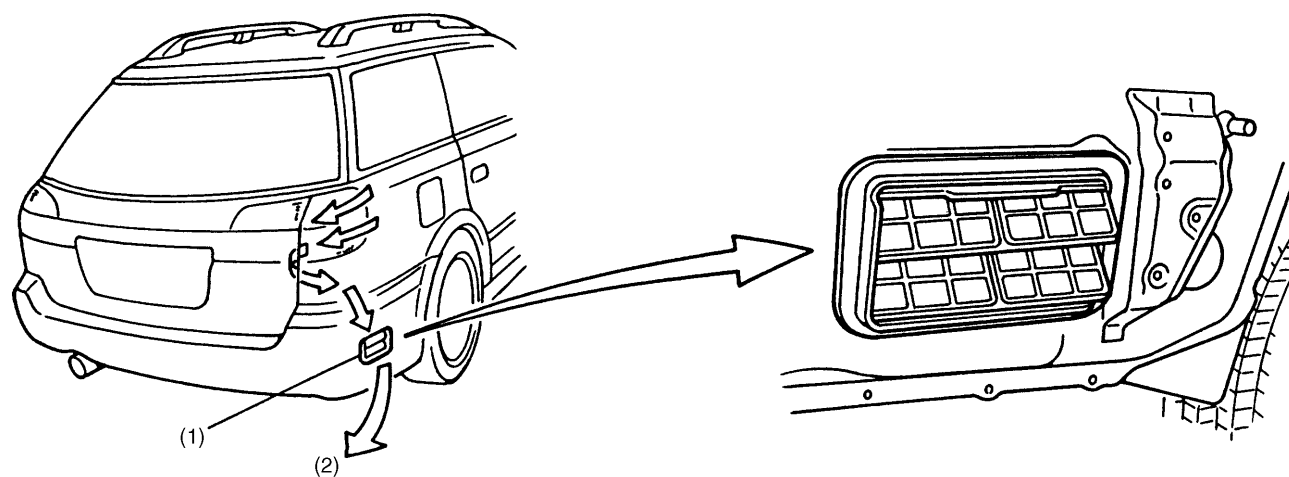


## VENTILATION

Body Structure

### 13.Ventilation

#### A: AIR OUTLET PORT



B5H0628A

- (1) Air outlet port
- (2) Air flow

BS-21