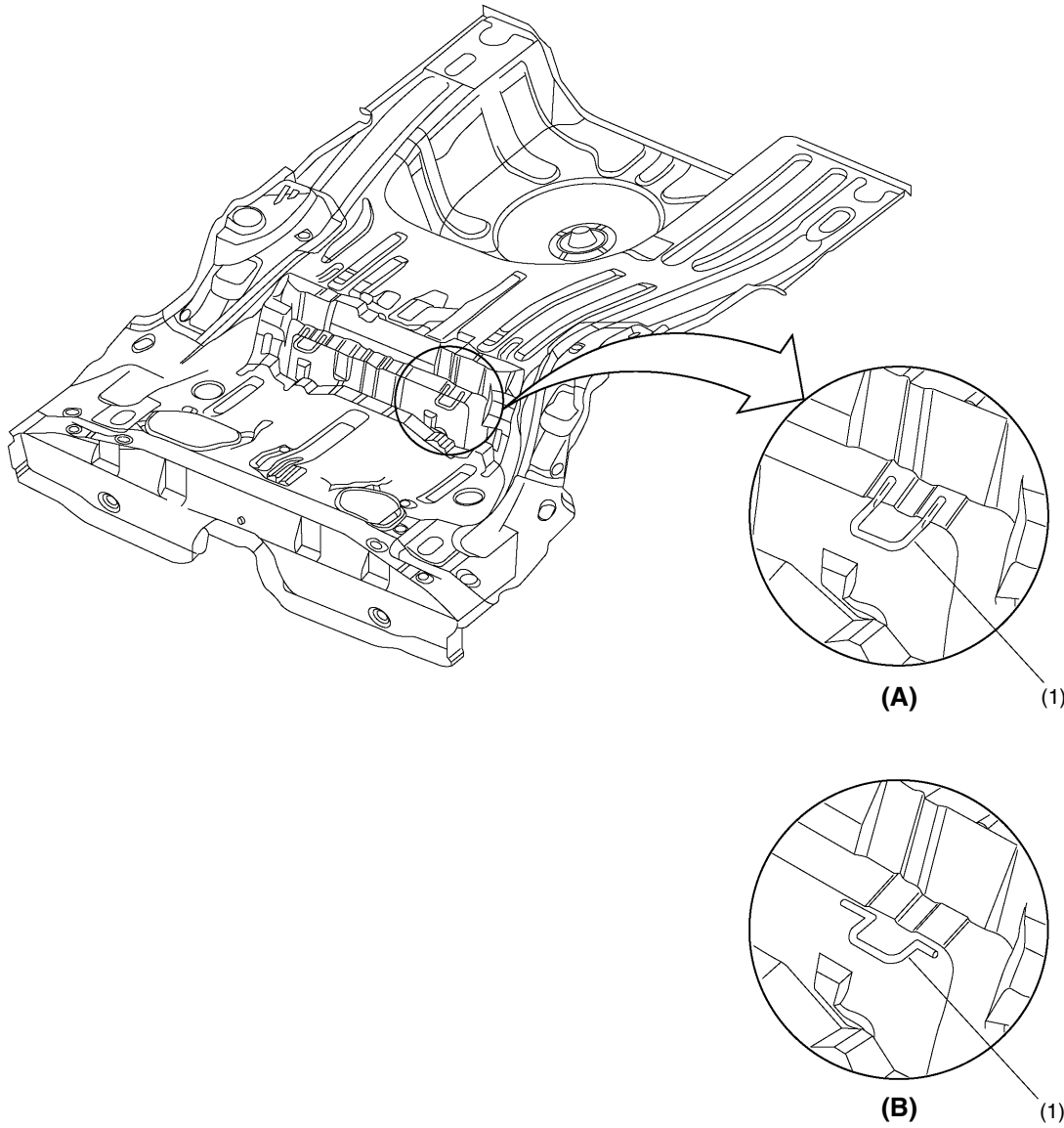


CHILD SEAT ANCHORS

Body Structure

14.Child Seat Anchors

Two child seat anchors are added to the rear floor panel below both side seating positions of the rear seat in order to conform with the FMVSS225 (ISO-FIX) requirements for child restraint anchorage systems.



B5H1121A

- (A) WAGON
- (B) SEDAN
- (1) Anchor

BS-22