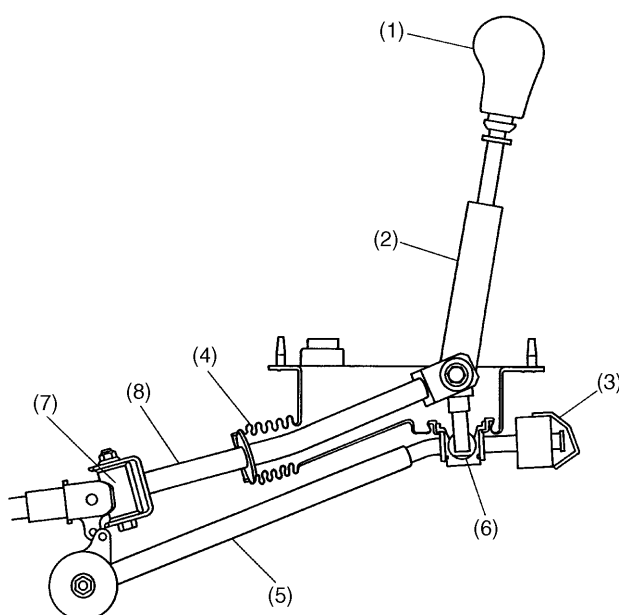


## GEAR SHIFT LEVER

Control System

### 1. Gear Shift Lever

The manual transmission's gear shift lever system is a parallel link type whose stay is mounted through a cushion rubber.



B3H1502A

- |                      |            |
|----------------------|------------|
| (1) Knob             | (5) Stay   |
| (2) Gear shift lever | (6) Bush B |
| (3) Cushion rubber   | (7) Joint  |
| (4) Boot             | (8) Rod    |

CS-2