

## COOLING CIRCUITS

Cooling

### 2. Cooling Circuits

The cooling system operates in three different phases depending on the temperature of the engine coolant.

- 1st phase (thermostat closed)

When the engine coolant temperature is below 76°C (169°F), the thermostat remains closed. The coolant flows through the bypass and heater circuits.

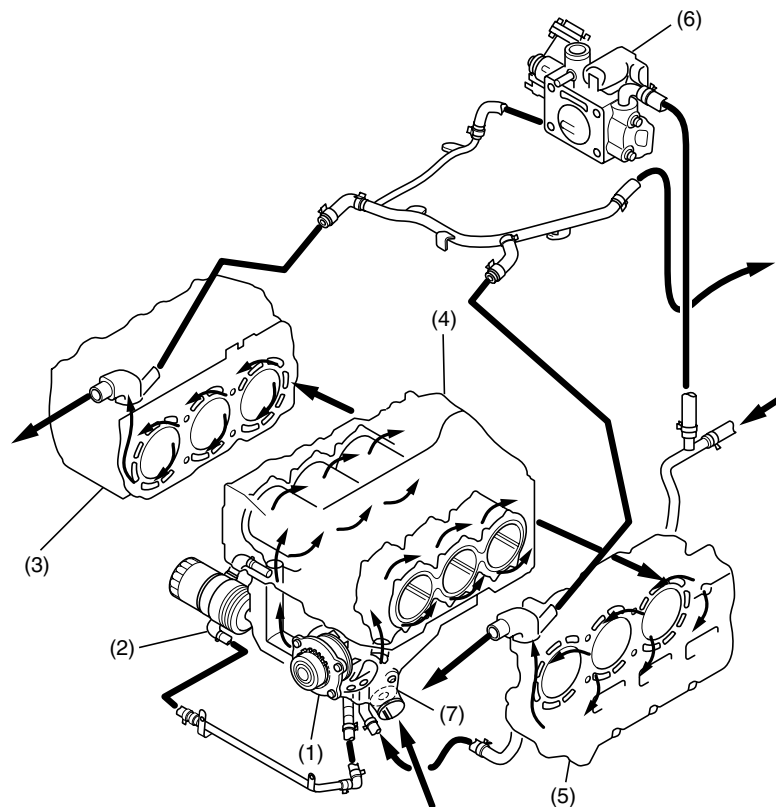
This permits the engine to warm up quickly.

- 2nd phase (thermostat open)

When the engine coolant temperature is above 76 – 80°C (169 – 176°F), the thermostat opens. The coolant flows through the radiator where it is cooled.

- 3rd phase (thermostat open and radiator fan operating)

When the engine coolant temperature sensor sends a signal indicating a temperature above 91°C (196°F) to the ECM, it causes the radiator fan (or fans) to operate.



B2H3891A

- (1) Water pump
- (2) Oil cooler
- (3) Cylinder head RH
- (4) Cylinder block

- (5) Cylinder head LH
- (6) Throttle body
- (7) Thermostat

CO-3