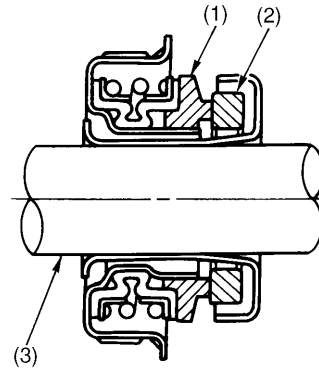


MECHANICAL SEAL

Cooling

4. Mechanical Seal

The mechanical seal has its seat tightly fitted on the water pump shaft. Since it is a hermetic seal forming an integral part of the water pump, the water pump cannot be disassembled.



H2H2325

- (1) Carbon seal
- (2) Ceramics seat
- (3) Water pump shaft

CO-5