

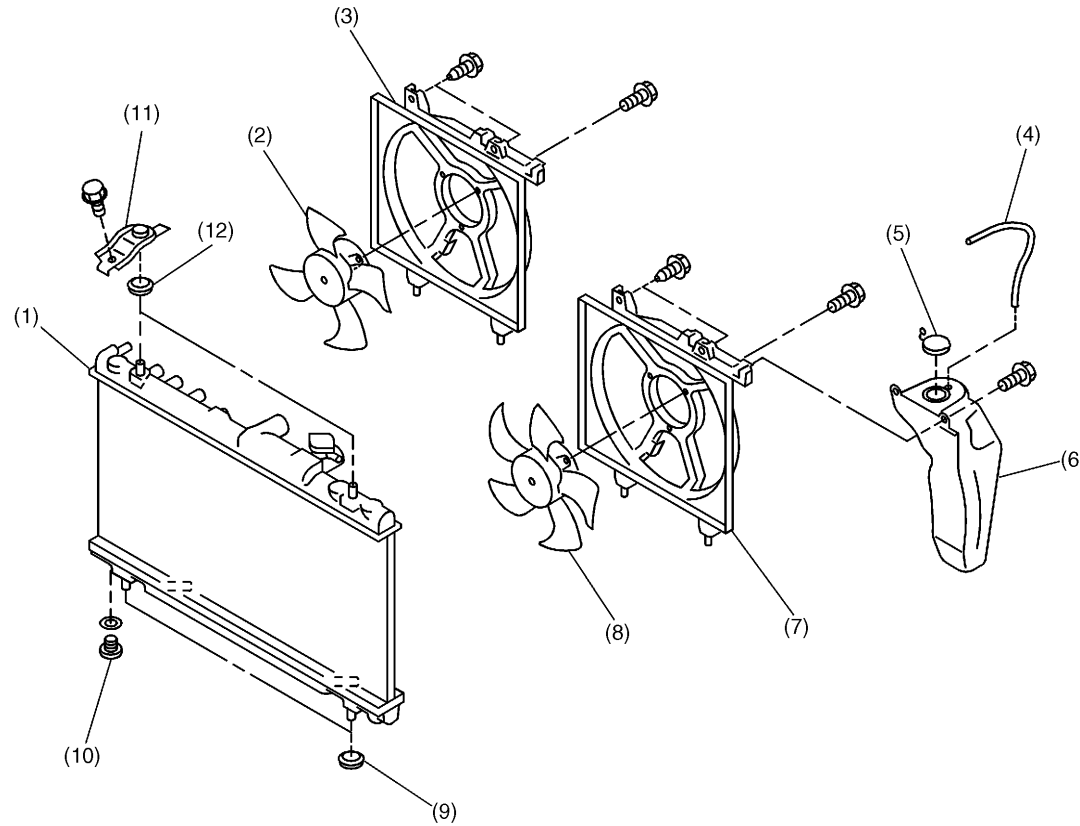
RADIATOR FAN

Cooling

6. Radiator Fan

A: DESCRIPTION

Each radiator fan is made of plastic. It is driven by an electric motor which is retained on a shroud.



B2H2916A

- | | |
|--|--|
| (1) Radiator | (7) Radiator main fan shroud |
| (2) Radiator subfan and subfan motor assembly (model with A/C) | (8) Radiator main fan and fan motor assembly |
| (3) Radiator subfan shroud (model with A/C) | (9) Lower cushion |
| (4) Overflow hose | (10) Drain plug |
| (5) Reservoir tank cap | (11) Upper bracket |
| (6) Reservoir tank | (12) Upper cushion |

CO-7

RADIATOR FAN

Cooling

B: FUNCTION

The operation of the radiator fan is controlled by the ECM. In a model equipped with an air conditioning system (A/C), the ECM uses for the control the signals from the engine coolant temperature sensor, vehicle speed sensor and A/C switch. The ECM on a model without an A/C performs the control based on the signal from the engine coolant temperature and vehicle speed sensors.

1. MODEL WITH A/C

Vehicle speed	A/C compressor	Engine coolant temperature					
		Lower than 95°C (203°F)		Between 95 and 99°C (203 and 210°F)		Higher than 100°C (212°F)	
		Operation of radiator fans		Operation of radiator fans		Operation of radiator fans	
		Main fan	Subfan	Main fan	Subfan	Main fan	Subfan
Lower than 19 km/h (12 MPH)	OFF	OFF	OFF	ON	OFF	ON	ON
	ON	ON	ON	ON	ON	ON	ON
Between 20 and 69 km/h (12 and 43 MPH)	OFF	OFF	OFF	ON	OFF	ON	ON
	ON	ON	ON	ON	ON	ON	ON
Between 70 and 89 km/h (43 and 55 MPH)	OFF	OFF	OFF	OFF	OFF	ON	ON
	ON	ON	OFF	ON	ON	ON	ON
Higher than 90 km/h (56 MPH)	OFF	OFF	OFF	OFF	OFF	ON	ON
	ON	OFF	OFF	ON	OFF	ON	ON

2. MODEL WITHOUT A/C

Vehicle speed	Engine coolant temperature		
	Lower than 95°C (203°F)	Between 95 and 99°C (203 and 210°F)	Higher than 100°C (212°F)
	Operation of radiator main fan	Operation of radiator main fan	Operation of radiator main fan
Lower than 19 km/h (12 MPH)	OFF	ON	ON
Between 20 and 69 km/h (12 and 43 MPH)	OFF	ON	ON
Between 70 and 89 km/h (43 and 55 MPH)	OFF	OFF	ON
Higher than 90 km/h (56 MPH)	OFF	OFF	ON