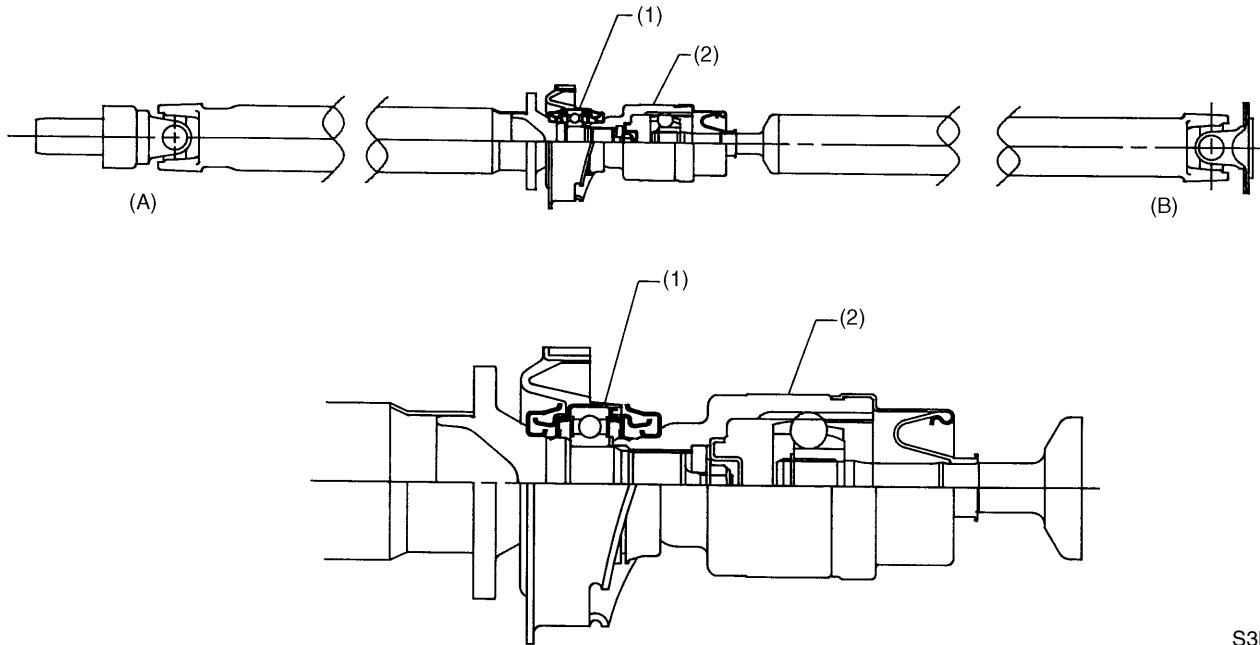


# PROPELLER SHAFT

Drive Shaft System

## 1. Propeller Shaft

The propeller shaft uses constant velocity joints for quiet operation of the driveline components. The center joint is a double offset joint (DOJ) type which can extend and retract in the axial directions.



S3H0008B

(1) Center bearing

(2) Double offset joint (DOJ)

(A) Transmission side

(B) Rear differential side

DS-2

# PROPELLER SHAFT

Drive Shaft System

MEMO

DS-3