

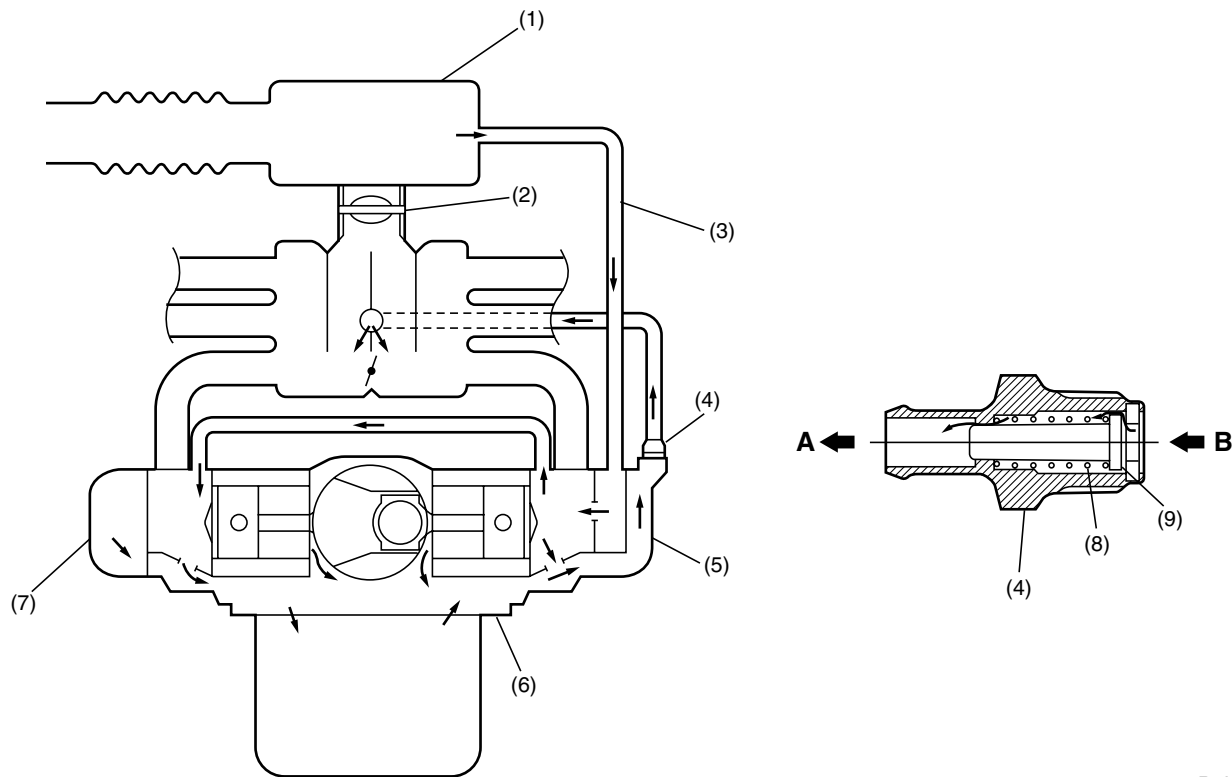
## CRANKCASE EMISSION CONTROL SYSTEM

Emission Control (Aux. Emission Control Devices)

### 3. Crankcase Emission Control System

The positive crankcase ventilation (PCV) system prevents air pollution which will be caused by blow-by gas being emitted from the crankcase.

The system consists of rocker covers with fresh air inlet, connecting hoses, a PCV valve and a chamber.



B2H3969B

- (1) Chamber
- (2) Throttle body
- (3) Connecting hose
- (4) PCV valve
- (5) Rocker cover RH

- (6) Crankcase
- (7) Rocker cover LH
- (8) Spring
- (9) Valve

- A:** To intake manifold
- B:** Blow-by gas

EC-6