

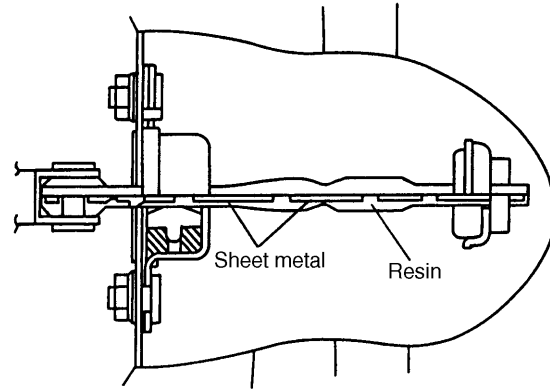
DOOR

Exterior Body Panels

1. Door

A: DOOR CHECKER

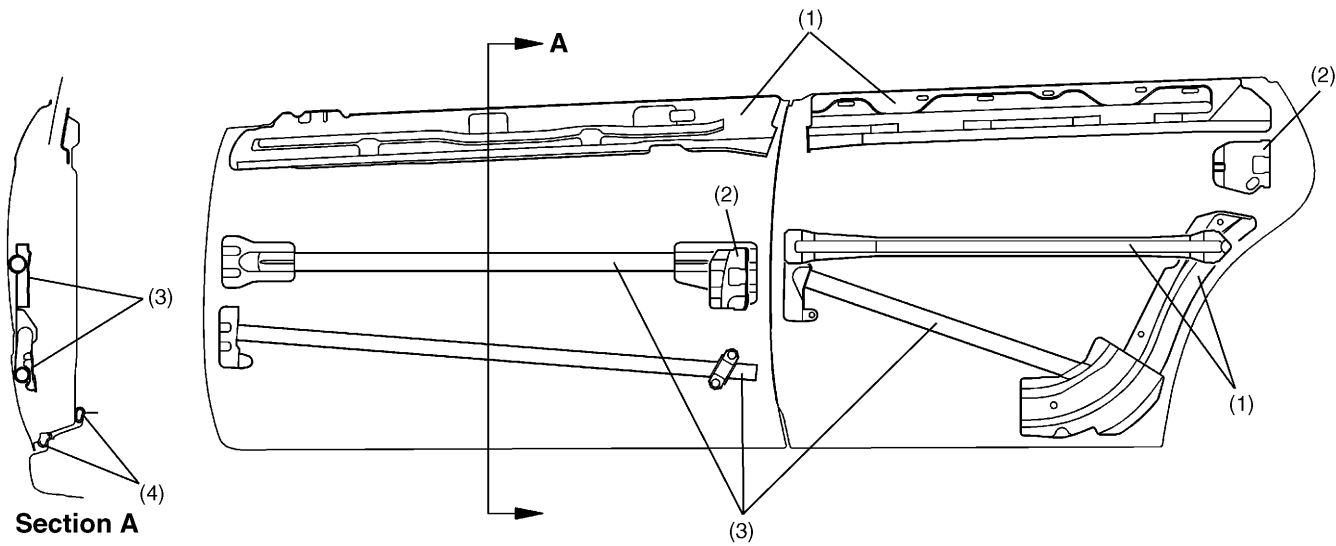
The door checkers are of a new type that uses a molded resin part.



S5H0001A

B: DOOR CONSTRUCTION

- All the front and rear doors have in their inside side door beams, inner reinforcements and reinforcement latches.
- Tight closure at the bottom of each door is ensured by dual sealing.



B5H0821A

- (1) Inner reinforcement
- (2) Reinforcement latch
- (3) Side door beam
- (4) Dual sealing

EB-2