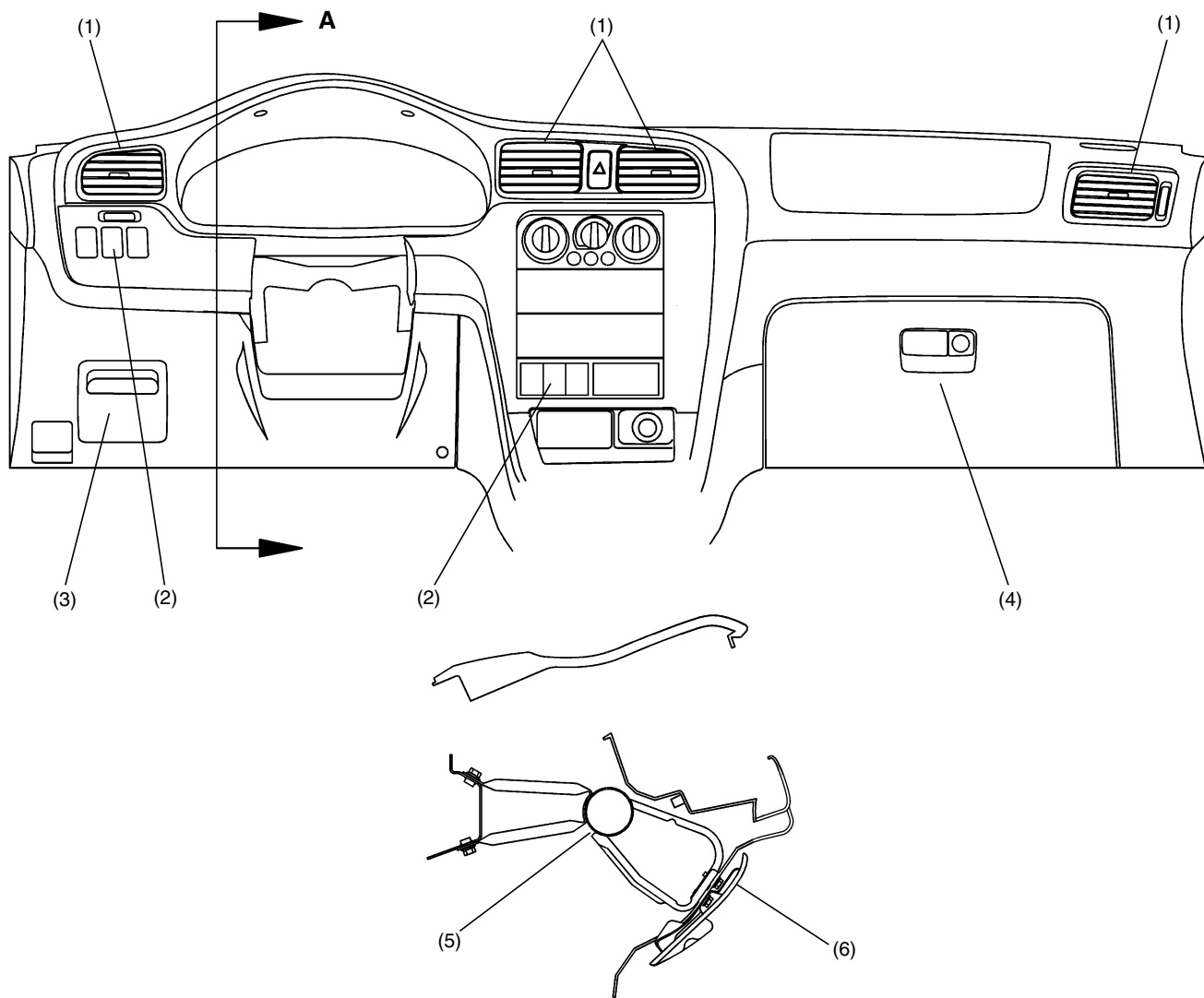


INSTRUMENT PANEL

Exterior/Interior Trim

1. Instrument Panel

- The glove compartment has a lockable lid.
- A coin tray is provided.
- The vent grills are barrel type.
- The dashboard lower cover is fitted with a knee cover.
- The steering support beam connecting the left and right pillars is located behind the instrument panel. The instrument panel is mounted on the support beam.



Section A - A

B5H1196A

- | | |
|---------------------------------|---------------------------|
| (1) Barrel type vent grill | (4) Glove compartment |
| (2) Optional accessory switches | (5) Steering support beam |
| (3) Coin tray | (6) Knee pad |

EI-2