

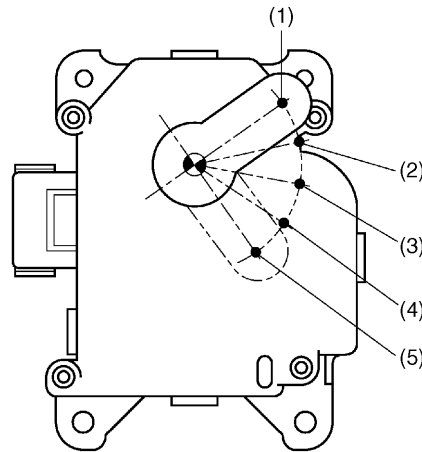
MODE DOOR CONTROL

HVAC System (Heater, Ventilator and A/C)

4. Mode Door Control

The servo motor for driving the mode door is installed on the side facing the driver's seat of the heater unit. Operating the mode selector switch sends a signal to the servo motor. In response to the signal, the motor makes a clockwise or counterclockwise rotation to drive the mode door through a link.

When DEF position (1) or DEF/HEAT position (2) is selected, the air conditioner switch automatically turns ON and the recirculation turns OFF.



B4H1505A

- (1) DEF position
- (2) DEF/HEAT position
- (3) HEAT position
- (4) VENT/HEAT position
- (5) VENT position

AC-6