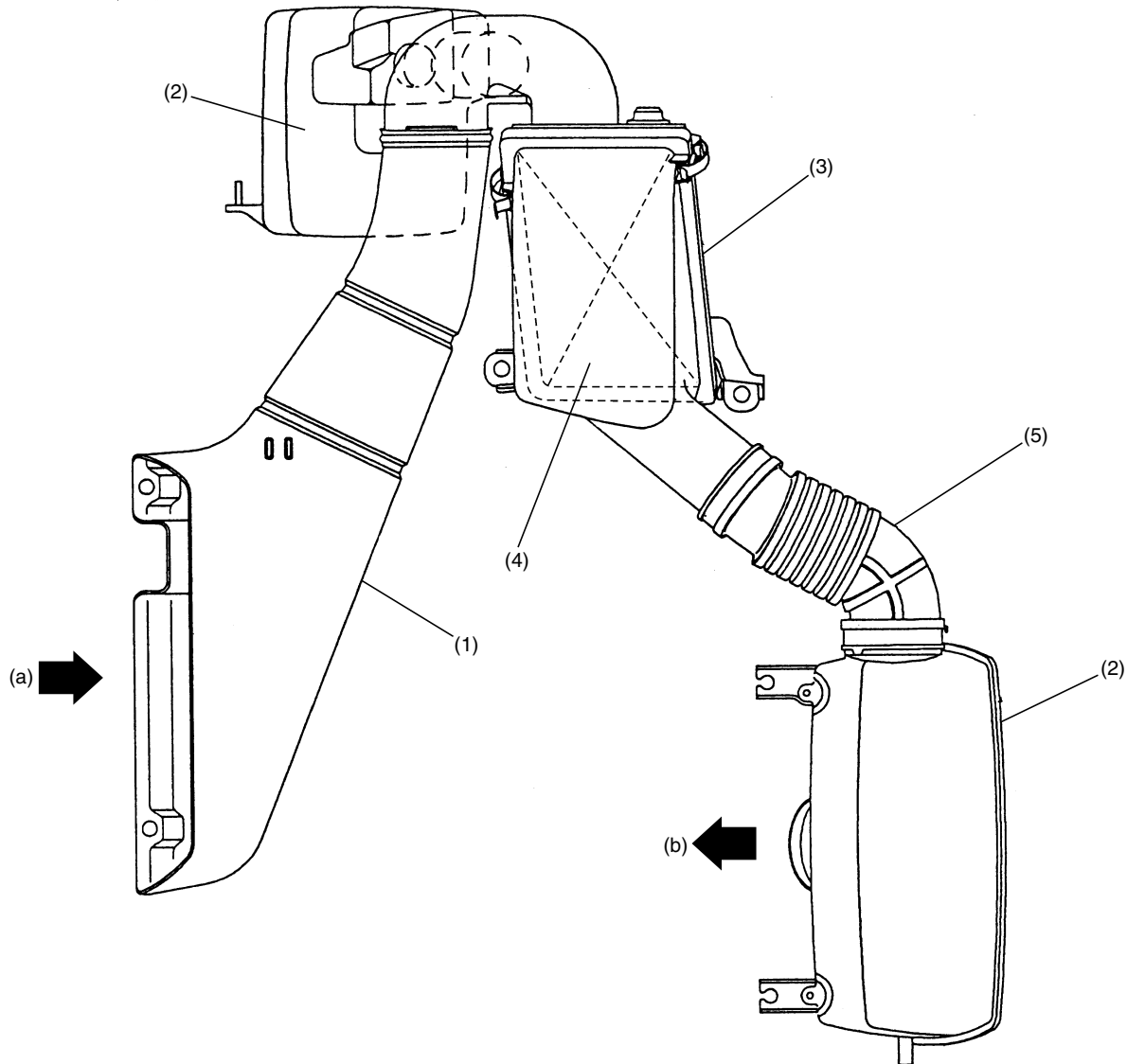


GENERAL

Intake (Induction)

1. General

The intake system consists of an air intake duct, two resonator chambers, an air cleaner case, and a duct. The resonator chambers (one is located upstream of the air cleaner and the other downstream of the air cleaner) effectively reduce the intake noise level.



B2H3904A

- (1) Air intake duct
- (2) Resonator chamber
- (3) Air cleaner case
- (4) Air cleaner element
- (5) Duct

- (a) Fresh air
- (b) To throttle body

IN-2