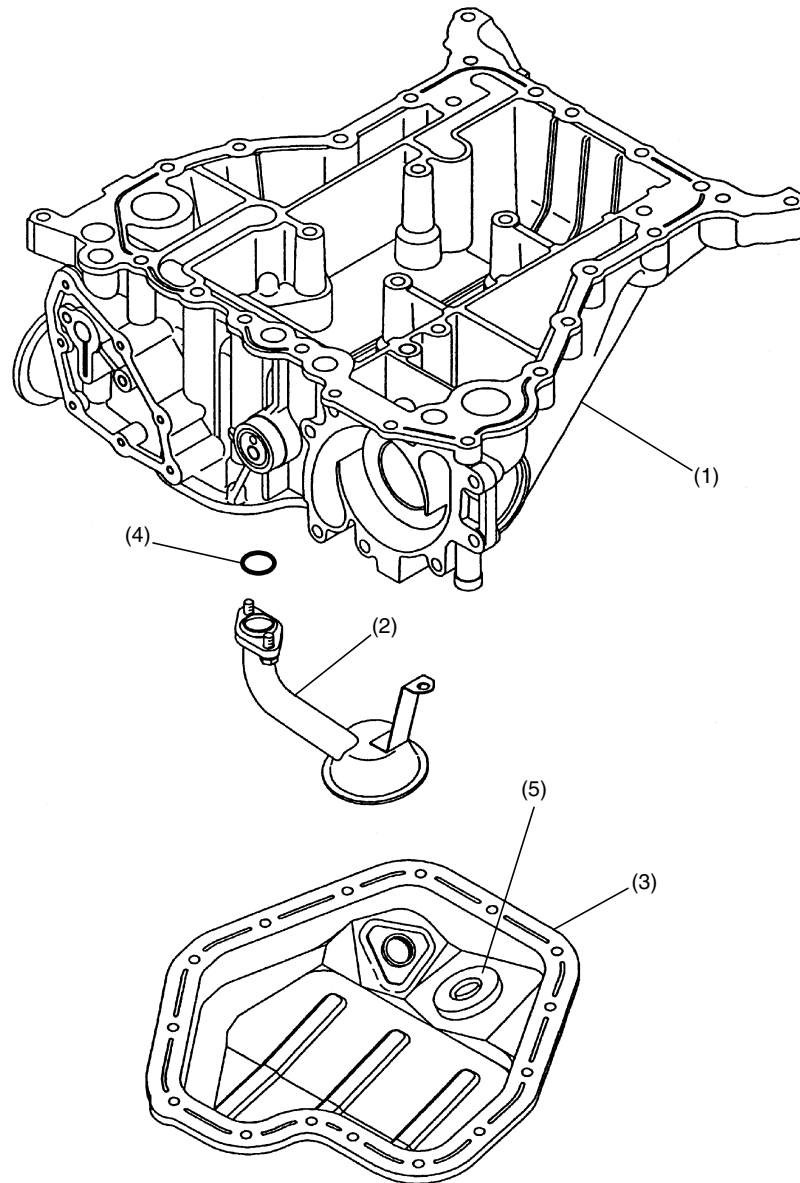


OIL PAN AND OIL STRAINER

Lubrication

5. Oil Pan and Oil Strainer

- The oil pan consists of an upper oil pan (aluminum die-casting) and a lower oil pan (formed steel plate). The upper oil pan has a baffle plate molded in it to improve stability of the oil level.
- The oil strainer has a stay whose end is attached to the upper oil pan. The strainer's pipe is connected to the oil pump using an O-ring. The strainer is located close to the bottom at the center of the oil pan where the oil level changes the least.



- (1) Upper oil pan
(2) Strainer
(3) Lower oil pan

- (4) O-ring
(5) Magnet

B2H3890A

LU-7