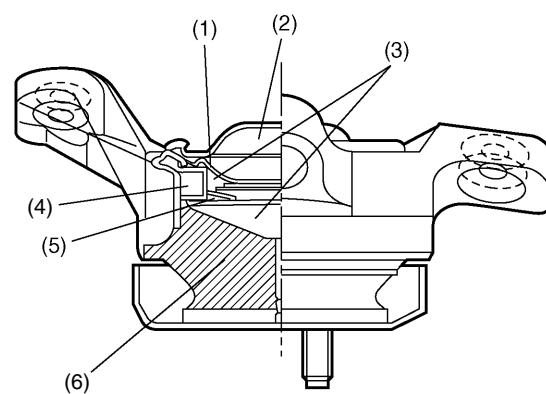
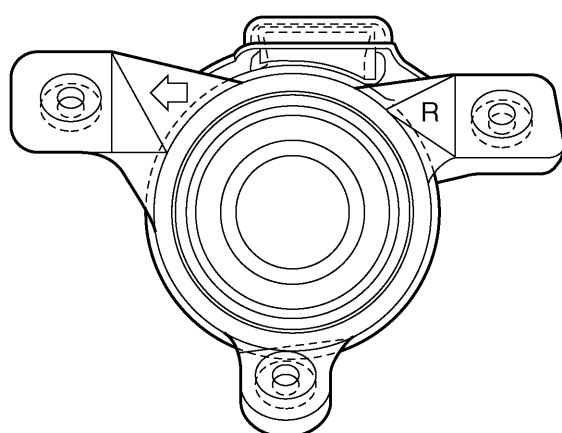


ENGINE MOUNTS

Mechanical

10.Engine Mounts

The H6 engine is supported by liquid-filled elastic mounts specially developed for use with it. Each mount is rigidly attached to the engine at three points. The mount can effectively reduce vibration and noise thanks to presence of a membrane between the two liquid chambers. The membrane has a function of reducing the spring constant of the mount.



B2H3976A

- (1) Diaphragm
- (2) Air chamber
- (3) Liquid chamber

- (4) Orifice
- (5) Membrane
- (6) Rubber piece

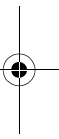
ME-11



ENGINE MOUNTS

Mechanical

MEMO



ME-12

