

SUNROOF

Sunroof/T-top/Convertible Top

1. Sunroof

A: SEDAN

1. DESCRIPTION

The sunroof has both tilting and sliding mechanisms. The tilting mechanism raises or lowers the rear of the glass lid when the tilt switch is operated; the sliding mechanism moves the lid backward to open or forward to close when the OPEN/CLOSE switch is operated.

The sunroof has the following features:

- Reduced thickness of the sunroof provides extra overhead clearance in the passenger compartment.
- Extensive use of aluminium die castings for sunroof components contributes to reduction in weight.

2. FUNCTION

● SUNROOF TILTING AND SLIDING OPERATION

- With the sunroof fully closed, pushing the rear side of the tilt switch causes the rear end of the sunroof lid to rise by 50 mm (1.97 in). Pushing then the front side of the switch causes the lid to lower to the original position.
- Pushing the OPEN/CLOSE switch rearward causes the sunroof lid to slide rearward and open. Pushing the switch forward causes the glass lid to move forward and stop at a point 150 mm (5.91 in) before the fully closed position. Pushing the switch again closes the lid completely.

● SUN SHADE OPERATION

- The sun shade can be opened or closed manually when the sunroof is closed.
- The sun shade, if closed, moves rearward together with the glass lid when the open side of the OPEN/CLOSE switch is pushed.

SR-2

SUNROOF

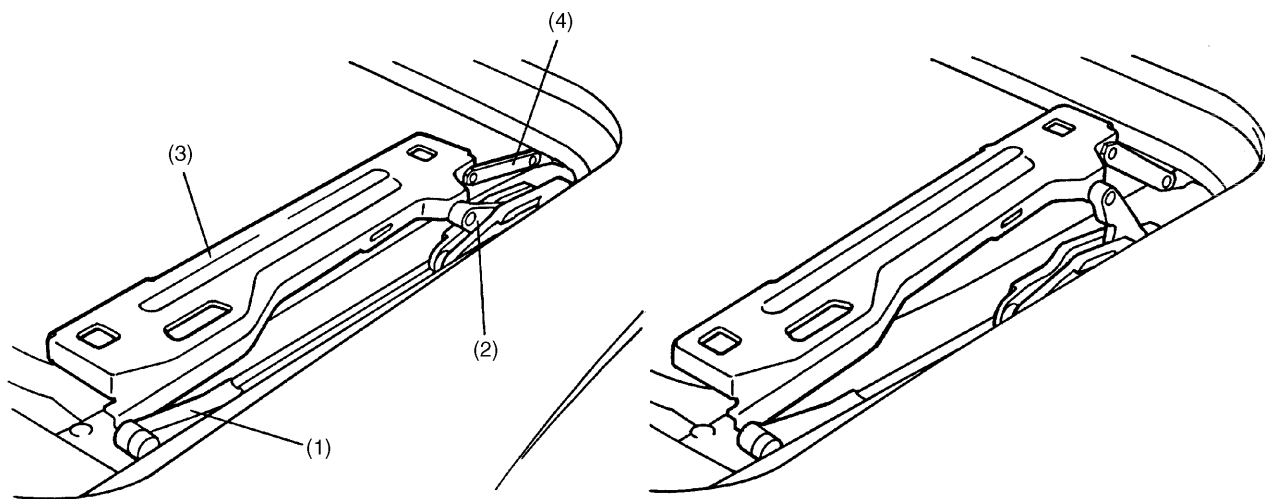
Sunroof/T-top/Convertible Top

3. SLIDING AND TILTING MECHANISMS

The motor installed at the front of the sunroof frame rotates a pinion gear to move the drive wire. This opens, closes, tilts up or tilts down the glass lid by way of the rear guide connected to the drive wire.

Fully closed condition

Tilt-up condition



B5H0839B

- (1) Front guide
- (2) Rear guide
- (3) Lid bracket
- (4) Link

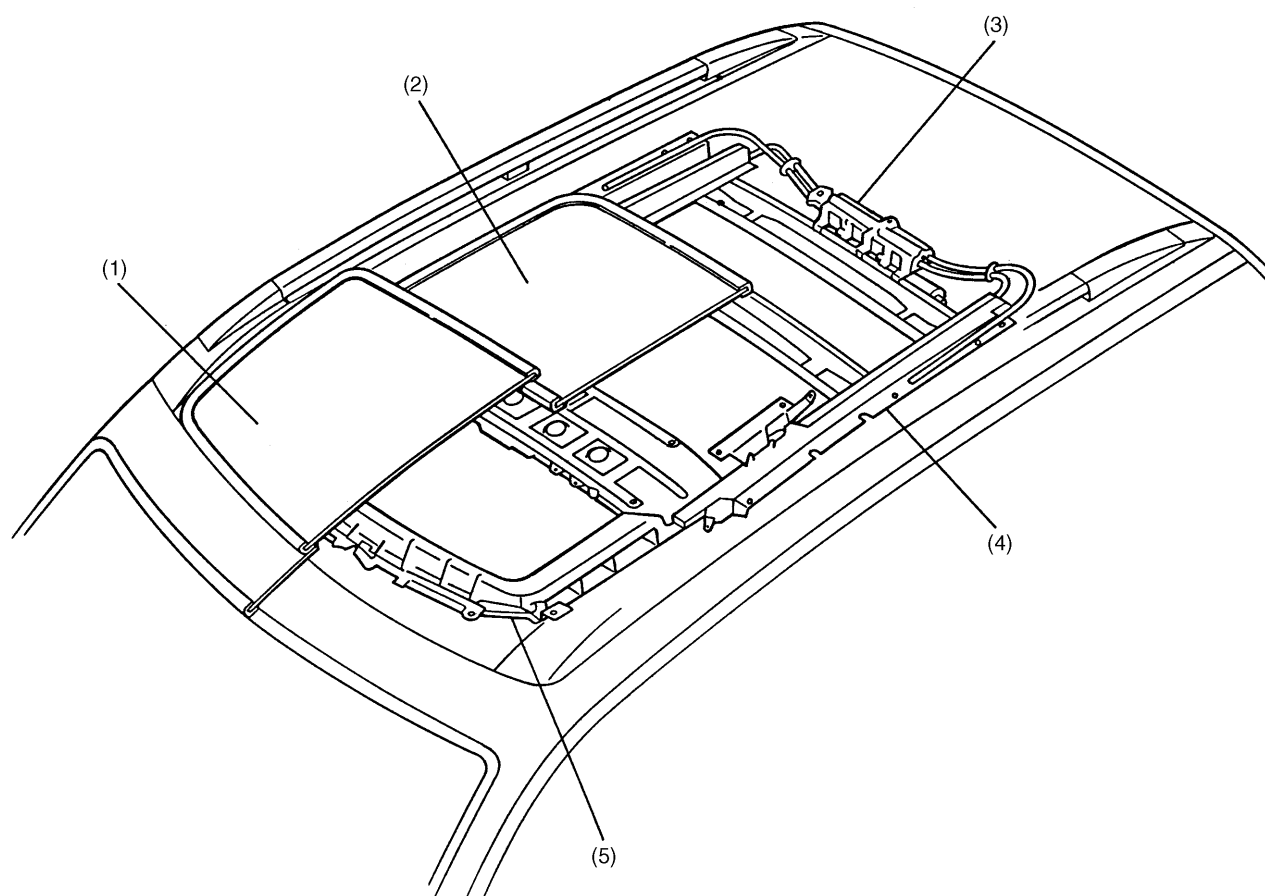
SR-3

SUNROOF

Sunroof/T-top/Convertible Top

B: WAGON

1. DESCRIPTION



B5H0629A

- (1) Front glass lid
- (2) Rear glass lid
- (3) Motor
- (4) Rear frame
- (5) Front frame

- The front sunroof is a tilting type. The rear end of the glass lid can rise by 50 mm (1.97 in).
- The rear sunroof is a sliding type. When the sunroof is fully opened, the opening area is 340 mm (13.39 in) long and 632 mm (24.88 in) wide.
- Each sunroof uses a 4 mm (0.16 in) thick glass lid and a sunshade.

SR-4

SUNROOF

Sunroof/T-top/Convertible Top

2. FUNCTION

● OPEN AND CLOSE OPERATIONS

- With the front sunroof fully lowered, holding the OPEN side of the sunroof switch pressed causes the rear end of the front glass lid to tilt up by 50 mm (1.97 in) and then come to a stop. If the switch is released and its OPEN side pressed again, the rear glass lid now opens, sliding rearward by 200 mm (7.87 in) and stops there. The glass lid further goes to the fully open position if the OPEN side of the sunroof switch is pressed again.

- With the rear sunroof fully open, holding the CLOSE side of the sunroof switch pressed causes the glass lid to move forward until its front edge reaches a point 150 mm (5.91 in) away from the fully closed position. The rear glass lid moves to the fully closed position if the CLOSE side of the sunroof switch is released and then pressed again.

Pressing the same side of the switch after complete closure of the rear sunroof causes the front glass lid to tilt down completely.

● SUNSHADE OPERATION

- The front sunshade can be manually opened or closed regardless of the position of the front glass lid.

- The rear sunshade is automatically opened or closed together with the glass lid. In addition, when the glass lid is fully closed, the sunshade can be opened or closed manually.

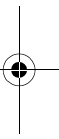
SR-5



SUNROOF

Sunroof/T-top/Convertible Top

MEMO



SR-6

