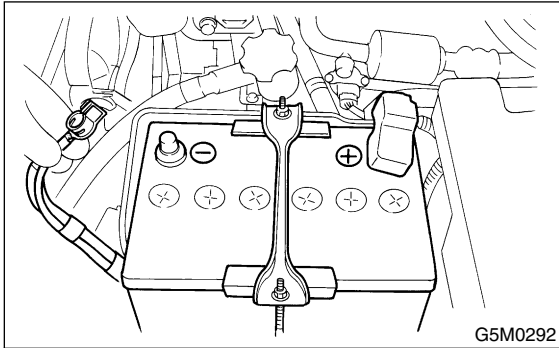
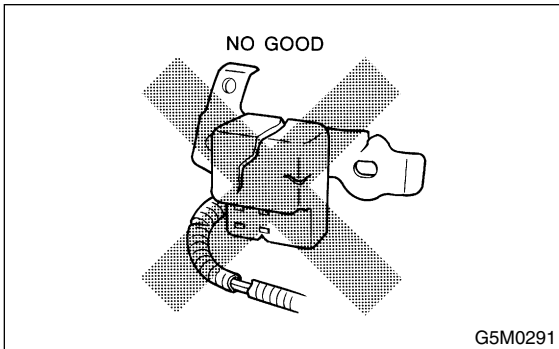


B: CAUTION S802001A03

- When servicing a vehicle, be sure to turn the ignition switch OFF, disconnect the ground cable from the battery, and wait for more than 20 seconds before starting work.
- The airbag system is fitted with a backup power source. If the airbag system is serviced within 20 seconds after the ground cable is disconnected, it may inflate.

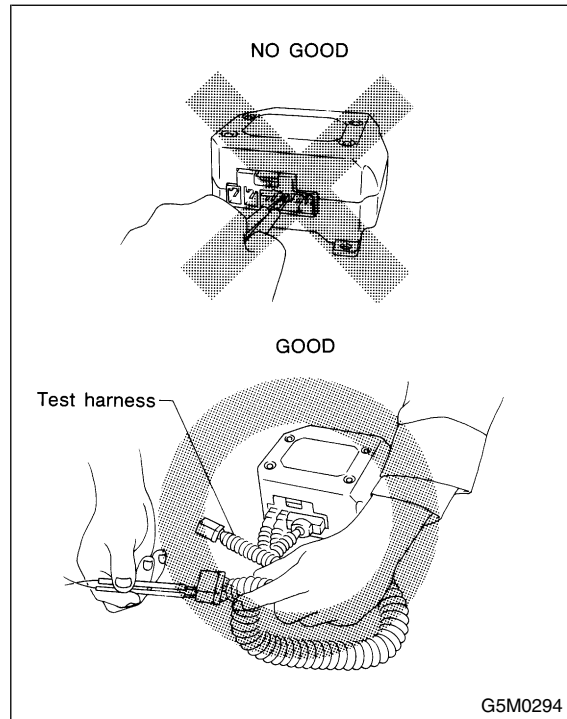
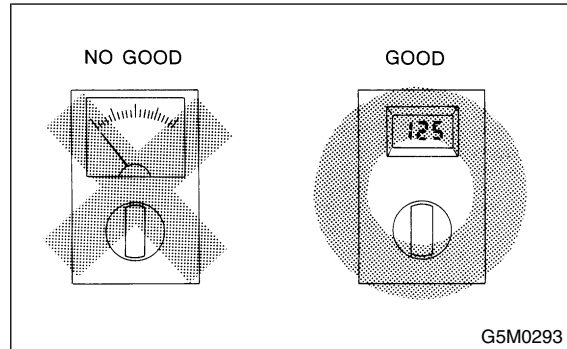


- If sensors, air bag module, airbag control module, pretensioner and harness are deformed or damaged, replace them with new genuine parts.
- Do not use the airbag system and pretensioners on other vehicles. When replacing parts, be sure to replace them with new parts.



- When checking the system, be sure to use a digital circuit tester. Use of an analog circuit tester may cause the airbag to activate erroneously.

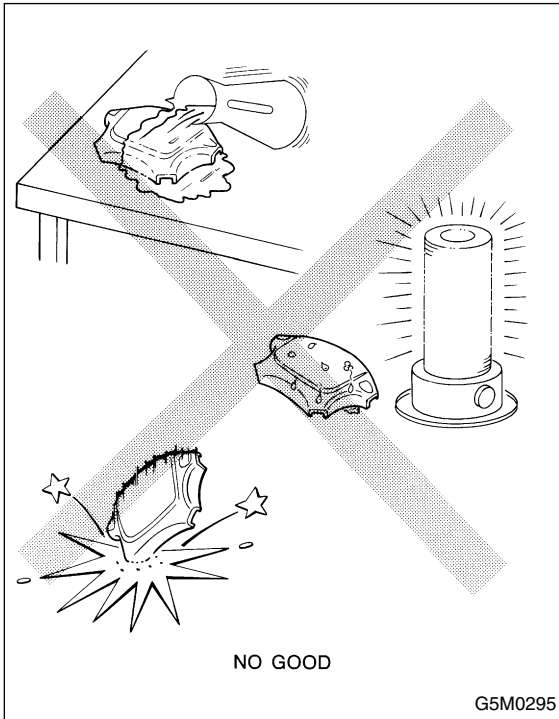
- When checking, use a test harness. Do not directly apply the tester probe to any connector terminal of the airbag.



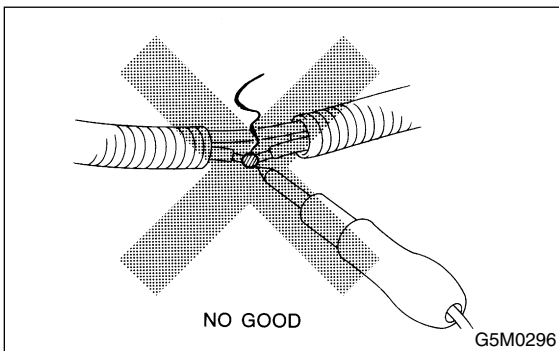
GENERAL DESCRIPTION

Airbag System

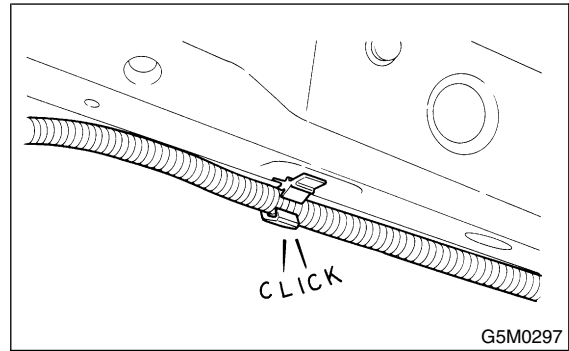
- Do not drop the airbag modulator parts, subject them to high temperature over 93°C (199°F), or let water, oil, or grease get on them; otherwise, the internal parts may be damaged and reliability greatly lowered.



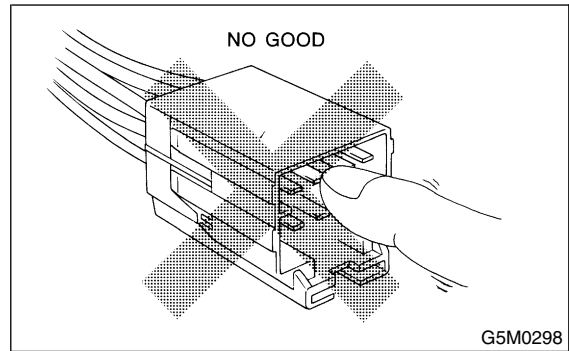
- If any damage, opening, rust is found on the airbag system wire harness, do not attempt to repair using soldering equipment. Be sure to replace the faulty harness with a new genuine part.



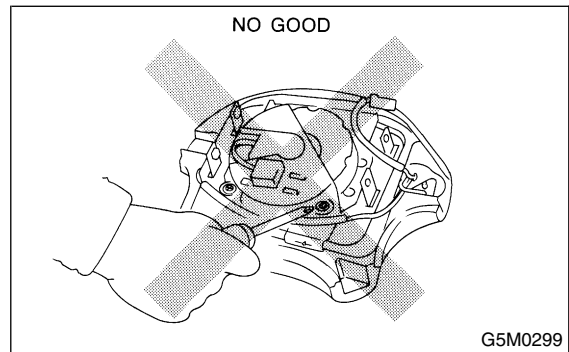
- Install the wire harness securely with the specified clips to avoid interference or tangled up with other parts.



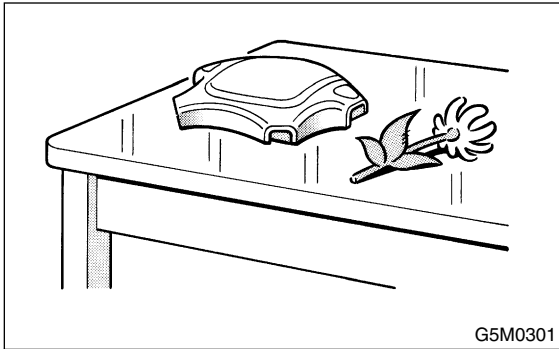
- Do not allow water or oil to come in contact with the connector terminals. Do not touch the connector terminals.



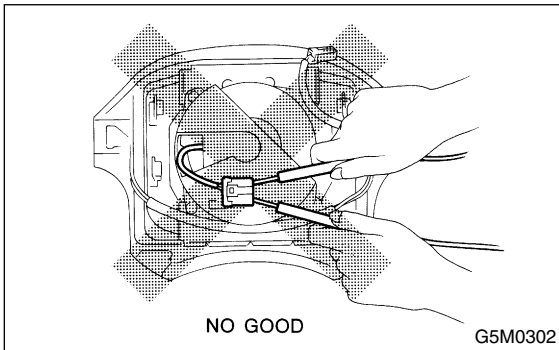
- The airbag module (driver, passenger, and side, pretensioner) must not be disassembled.
- The airbag module cannot be used again once inflated.



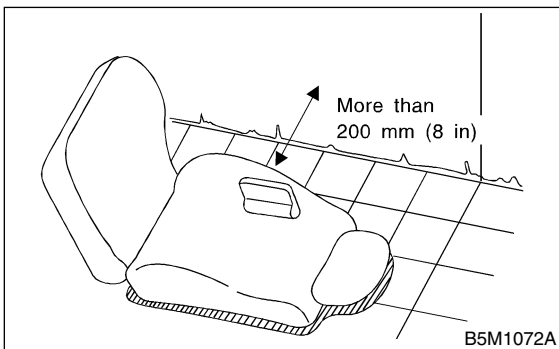
- After removal, keep the airbag module with the pad facing upward on a dry, clean, and flat surface away from heat and light sources, and moisture and dust.



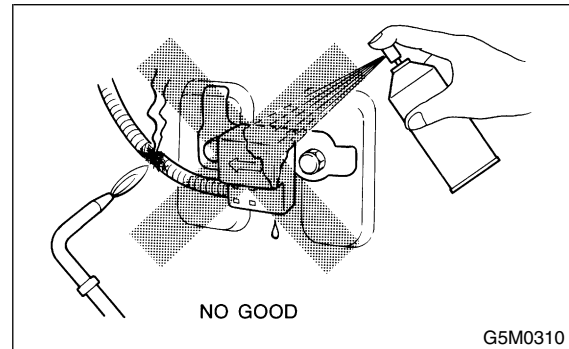
- Do not check continuity of the airbag module (driver, passenger, and side, pretensioner).



- The removed front seat with the airbag module must be kept at least 200 mm (8 in) away from walls and other objects.



- Do not use the airbag or pretensioner parts from other vehicles. Always replace parts with new parts.
- Do not re-use deployed airbag or pretensioner again.
- When painting or performing sheet metal work on the front part of the vehicle, including the front wheel apron, front fender, and front side frame, take utmost care not to apply paint or the flame of the welding burner directly to the front sub sensors and wire harness of the airbag system.
- When painting or performing sheet metal work on the side of the vehicle, including the side sill, center pillar, and front and rear doors, take utmost care not to apply paint or the flame of the welding burner directly to the side airbag sensors and wire harness of the airbag system.



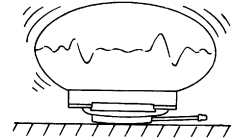
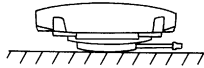
- When storing a removed airbag module, do not place any objects on it or pile airbag modules on top of each other. If the airbag inflates for some reason when it is placed with its pad side facing downward or under any object, a serious accident may result.

GENERAL DESCRIPTION

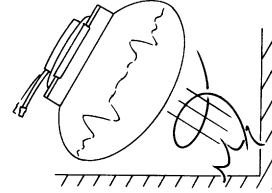
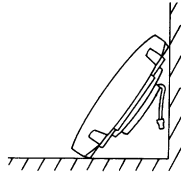
Airbag System

Driver side

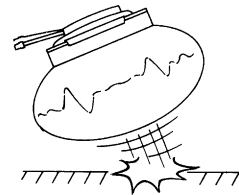
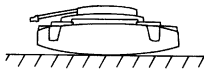
GOOD



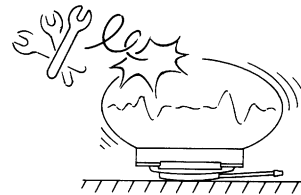
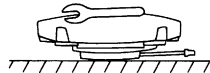
NO GOOD



NO GOOD

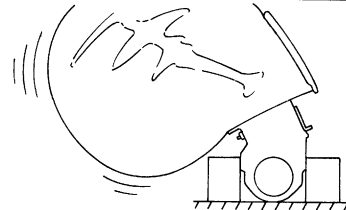
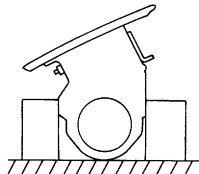


NO GOOD

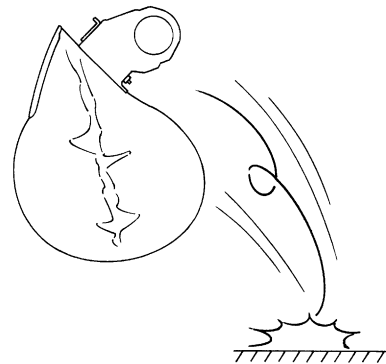
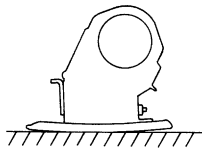


Passenger side

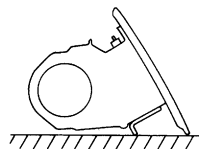
GOOD



NO GOOD



NO GOOD



G5M0604

● Do not discard undeployed airbag modules. They could easily cause a serious accident if accidentally deployed.

● Do not damage the airbag module or drop it.

C: PREPARATION TOOL S802001A17

1. GENERAL TOOL S802001A1701

| TOOL NAME | REMARKS |
|---|--|
| TORX [®] T30 | Used for removal/installation of driver's airbag module. |
| TORX [®] T40 (Tamper resistant type) | Used for removal/installation of airbag control module. |
| TORX [®] E12 | Used for removal of side airbag sensor. |

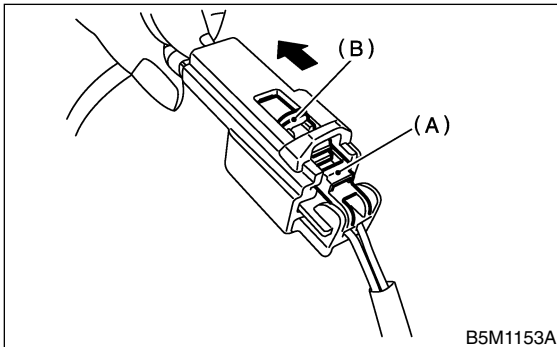
2. Airbag Connector S802659

A: OPERATION S802659A16

1. DRIVER'S AIRBAG, SIDE AIRBAG, FRONT SUB SENSOR HARNESS TO AIRBAG MAIN HARNESS AND PRETENSIONER S802659A1611

● How to disconnect:

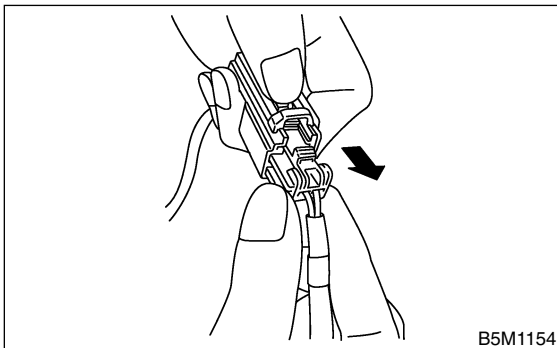
- 1) Push lock arm (A).
- 2) With lock arm (A) pushed in, move slide lock (B) in the direction of the arrow.



- 3) With slide lock (B) pulled, remove lock arm (A) to its original position, and then pull in the direction of the arrow and separate the connector.

CAUTION:

When pulling, be sure to hold onto the connector and not the wire.

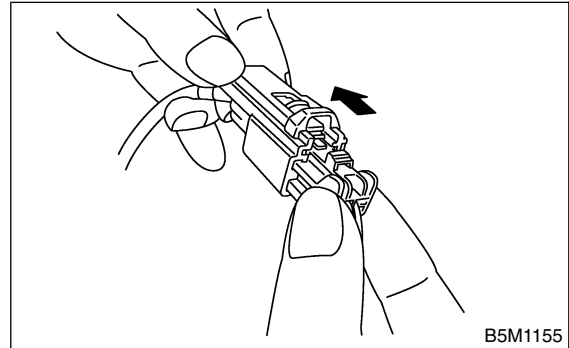


● How to connect:

Holding the connector, and push it in carefully until a connecting sound is heard.

CAUTION:

Be sure to insert the connector in until it locks. Then pull on it gently to make sure that it is locked.



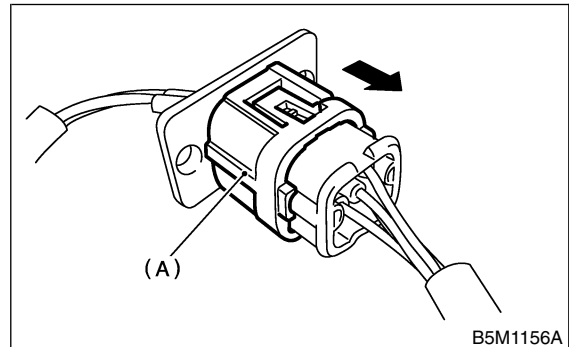
2. FRONT SUB-SENSOR, SIDE AIRBAG SENSOR S802659A1603

● How to disconnect:

- 1) Holding outer part (A), pull it in the direction of the arrow.

CAUTION:

When pulling, be sure to hold onto the connector and not the wire.

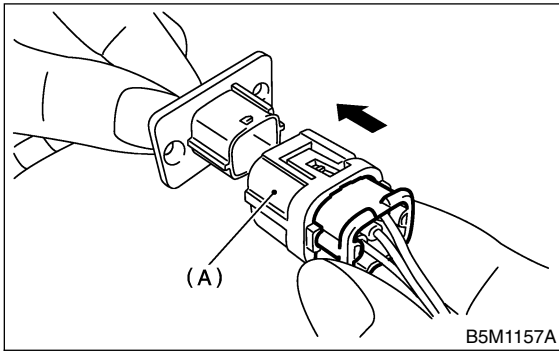


● **How to connect:**

Holding the connector, and push it in carefully until a connecting sound is heard.

CAUTION:

- Outer (A) moves back, and so do not put your hand on the outer part.
- Be sure to insert the connector in until it locks. Then pull on it gently to make sure that it is locked.



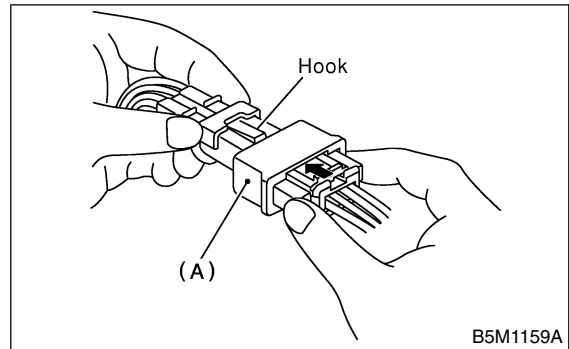
● **How to connect:**

1) Insert female connector (C) over male connector socket (B), and push slide lock (A) into the female connector tabs.

CAUTION:

Do not hold onto the slide lock.

2) If the male connector socket is pushed too hard, slide lock (A) will go past slide lock (A) tabs and connect.



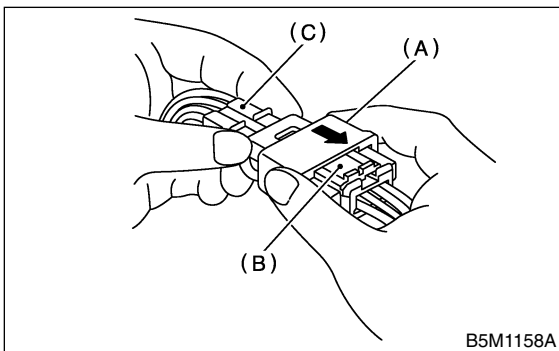
3. PASSENGER'S AIRBAG S802659A1602

● **How to disconnect:**

Holding female connector (C) in one hand, use your other hand to pull slide lock (A) in the direction of the arrow.

CAUTION:

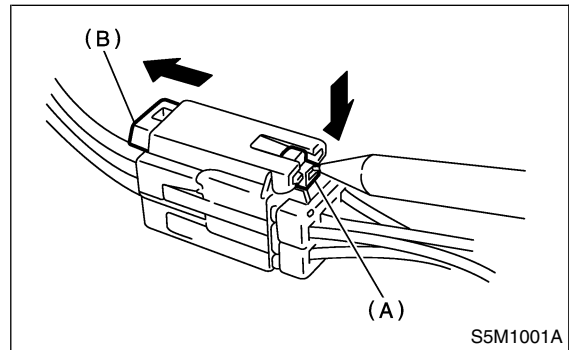
When pulling, be sure to hold onto the slide lock and not the male connector or wire.



4. AIRBAG MAIN HARNESS TO BODY HARNESS CONNECTOR S802659A1608

1) How to disconnect:

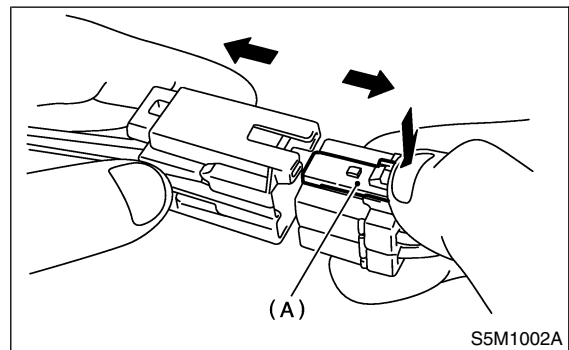
(1) Push lock arm (A) to let green lever (B) pop out.



(2) Then separate the connector halves by pulling them apart while pressing lever (A).

CAUTION:

When pulling, be sure to hold onto the connector and not the wire.



AIRBAG CONNECTOR

Airbag System

2) How to connect:

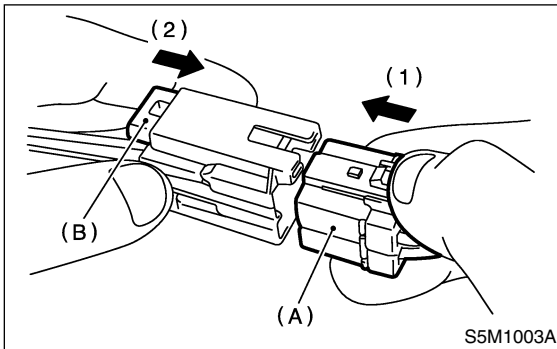
(1) Insert the (A) connector half into the other until a “click” is heard.

(2) Push in green lever (B) until a “click” is heard.

This engages the double lock mechanism.

CAUTION:

Be sure to insert the connector in until it locks. Then pull on it gently to make sure that it is locked.



3. Inspection Locations After a Collision S802306

A: INSPECTION S802306A10

If the vehicle is involved in a collision on any side, even if it is a slight collision, be sure to check the following system parts.

1. AIRBAG MODULE (DRIVER) S802306A1001

1) Check for the following, and replace damaged parts with new parts.

- Airbag module is cracked or deformed.
- Harness and/or connector is cracked, deformed or open. Lead wire is exposed.
- Mounting bracket is cracked or deformed.
- The module surface is fouled with grease, oil, water or cleaning solvent.

2) When installing a new driver's airbag module, check the following. If necessary, install a new airbag module and steering wheel.

- The steering wheel is in the way, making it difficult to install the airbag module.
- The clearance between the driver's airbag module and steering wheel is not constant.
- Free play of the steering wheel is over specifications in axial and radial directions.

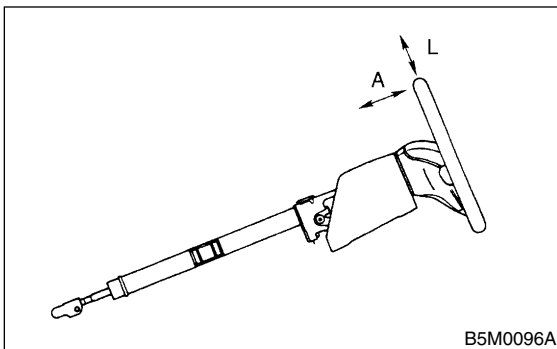
Specifications:

Height deflection A

Less than 6 mm (0.24 in)

O.D. deflection L

Less than 7 mm (0.28 in)



2. AIRBAG MODULE (PASSENGER) S802306A1002

Check for the following, and replace damaged parts with new parts.

- Airbag module is cracked or deformed.
- Harness and/or connector is cracked, deformed or open. Lead wire is exposed.
- Mounting bracket is cracked or deformed.
- The module surface is fouled with grease, oil, water or cleaning solvent.

3. AIRBAG MODULE (SIDE) S802306A1003

Check for the following, and replace damaged parts with new parts.

- Front seat is damaged or deformed.
- Harness and/or connector is cracked, deformed or open.
- Lead wire is exposed.

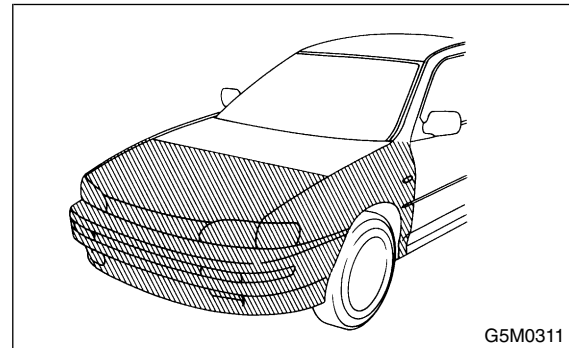
4. AIRBAG CONTROL MODULE S802306A1004

Check for the following, and replace damaged parts with new parts.

- Control module is cracked or deformed.
- Mounting bracket is cracked or deformed.
- Connector is scratched or deformed.
- Airbag is deployed.
- Side airbag deployed.

5. FRONT SUB SENSOR S802306A1005

If the front section of vehicle as shown in the figure is damaged:



Check for the following, and replace damaged parts with new parts.

- Front sub sensor is cracked or deformed.
- Mounting bracket is cracked or deformed.
- Connector is scratched or cracked.
- Airbag is deployed.

6. FRONT SUB SENSOR HARNESS S802306A1006

Check for the following, and replace damaged parts with new parts.

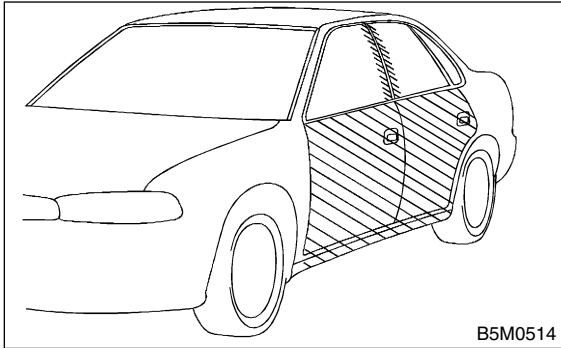
- Harness is open, lead wire is exposed, and corrugated tube is noticeably cracked.
- Connector is scratched or cracked.

INSPECTION LOCATIONS AFTER A COLLISION

Airbag System

7. SIDE AIRBAG SENSOR S802306A1007

If the side section of vehicle as shown in the figure is damaged:



Check for the following, and replace damaged parts with new parts.

- Side airbag sensor is cracked or deformed.
- Mounting bracket is cracked or deformed.
- Connector is scratched or cracked.
- Side airbag is deployed (operating side).

8. SIDE AIRBAG SENSOR HARNESS S802306A1008

Check for the following, and replace damaged parts with new parts.

- Harness is open, lead wire is exposed, and corrugated tube is noticeably cracked.
- Connector is scratched or cracked.

9. MAIN HARNESS S802306A1009

Check for the following, and replace damaged parts with new parts.

- Harness is open, lead wire is exposed, and corrugated tube is noticeably cracked.
- Connector is scratched or cracked.

10. ROLL CONNECTOR S802306A1010

Check for the following, and replace damaged parts with new parts.

- Combination switch or steering roll connector is cracked or deformed.

11. STEERING SHAFT S802306A1011

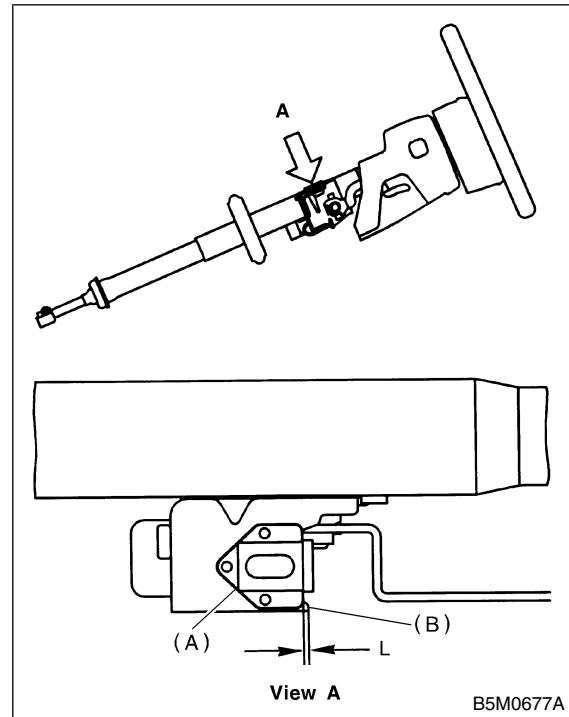
Check for the following, and replace damaged parts with new parts.

The clearance between capsule (A) and tip of column bracket (B) on steering column upper side should be within specifications.

Specifications:

Clearance between capsule and tip of column bracket L

More than 1.3 mm (0.051 in)



If necessary, replace them with new parts.

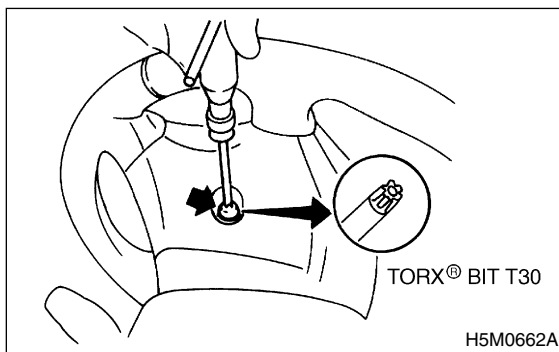
4. Driver's Airbag Module S802307

A: REMOVAL S802307A18

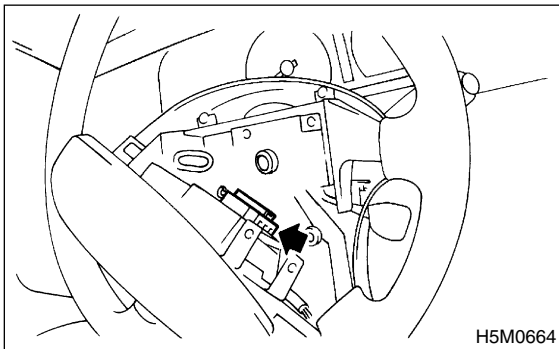
CAUTION:

Refer to "CAUTION" in General Description before handling the airbag module. <Ref. to AB-3, CAUTION, General Description.>

- 1) Position front wheels straight ahead. (After moving a vehicle more than 5 m (16 ft) with front wheels positioned straight ahead, make sure that the vehicle moves straight ahead).
- 2) Turn ignition switch OFF.
- 3) Disconnect ground cable from battery, and wait for at least 20 seconds before starting work.
- 4) Using TORX® BIT T30, remove two TORX® bolts on side of steering wheel.



- 5) Disconnect airbag connector on back of airbag module, and then remove airbag module.



- 6) Refer to "CAUTION" for handling of a removed airbag module. <Ref. to AB-3, CAUTION, General Description.>

B: INSTALLATION S802307A11

- 1) Install in the reverse order of removal.

CAUTION:

Do not allow harness and connectors to interfere or get tangled up with other parts.

C: INSPECTION S802307A10

CAUTION:

Refer to "CAUTION" in General Description before handling the airbag module. <Ref. to AB-3, CAUTION, General Description.>

Check for the following, and replace damaged parts with new parts.

- Airbag module, harness, connector, and mounting bracket are damaged.

5. Passenger's Airbag Module

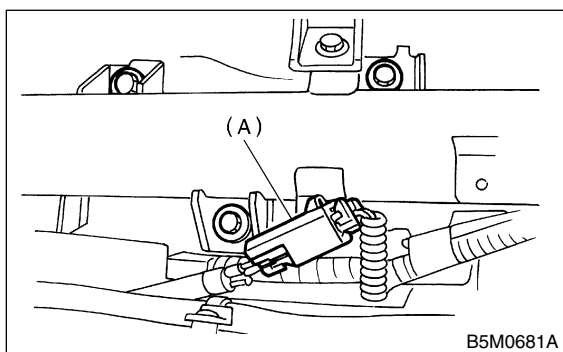
S802308

A: REMOVAL S802308A18

CAUTION:

Refer to "CAUTION" in General Description before handling the airbag module. <Ref. to AB-3, CAUTION, General Description.>

- 1) Turn ignition switch OFF.
- 2) Disconnect ground cable from battery, and wait for at least 20 seconds before starting work.
- 3) Pull out the two stopper pins and lower the glove box.
- 4) Disconnect airbag connector (A), and then detach airbag connector from support beam bracket.
- 5) Remove three bolts, and then carefully remove airbag module upward.



- 6) Refer to "CAUTION" for handling of a removed airbag module. <Ref. to AB-3, CAUTION, General Description.>

B: INSTALLATION S802308A11

Install in the reverse order of removal.

CAUTION:

Do not allow harness and connectors to interfere or get tangled up with other parts.

C: INSPECTION S802308A10

CAUTION:

Refer to "CAUTION" in General Description before handling the airbag module. <Ref. to AB-3, CAUTION, General Description.>

Check for the following, and replace damaged parts with new parts.

- Airbag module, harness, connector, and mounting bracket are damaged.

6. Side Airbag Module S802311

A: REMOVAL S802311A18

CAUTION:

- Refer to “CAUTION” in General Description before handling the airbag module. <Ref. to AB-3, CAUTION, General Description.>
- The side airbag module cannot be detached from the front seat assembly.
- When replacing side airbag module, replace front seat assembly.
<Ref. to SE-7, REMOVAL, Front Seat.>

B: INSTALLATION S802311A11

<Ref. to SE-8, INSTALLATION, Front Seat.>

C: INSPECTION S802311A10

CAUTION:

Refer to “CAUTION” in General Description before handling the airbag module. <Ref. to AB-3, CAUTION, General Description.>

Check for the following, and replace front seat assembly.

- Front seat is deformed or damaged.
- Harness and/or connector is cracked, deformed or open.
- Load wire is exposed.

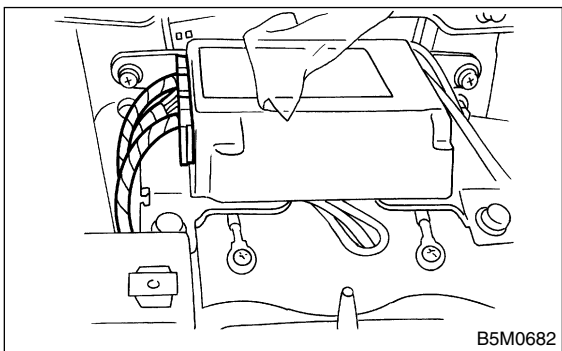
MAIN HARNESS

Airbag System

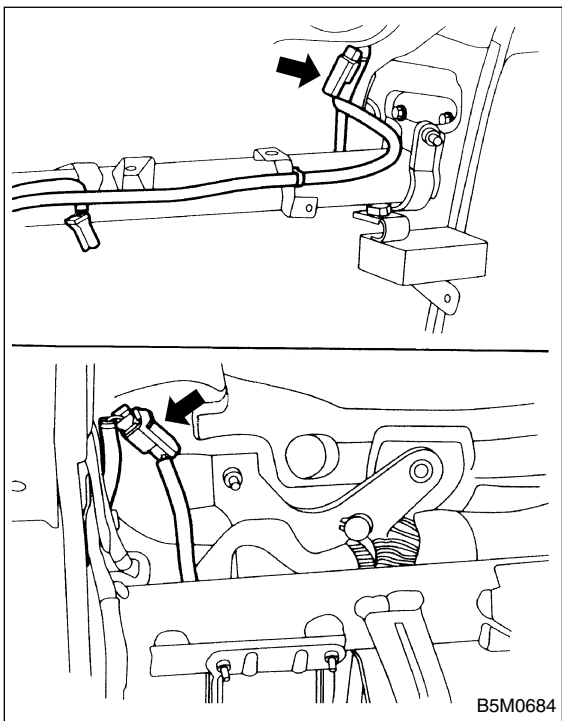
7. Main Harness S802310

A: REMOVAL S802310A18

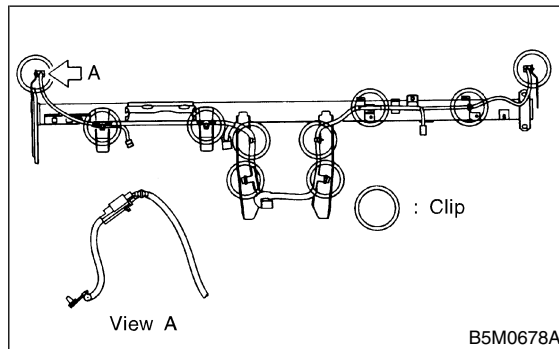
- 1) Turn ignition switch OFF.
- 2) Disconnect ground cable from battery and wait for at least 20 seconds before starting work.
- 3) Remove instrument panel. <Ref. to EI-37, REMOVAL, Instrument Panel Assembly.>
- 4) Disconnect connector from airbag control module.



- 5) Disconnect front sub sensor connector (blue) from airbag main harness.



- 6) Detach clips from steering support beam, and remove main harness.



B: INSTALLATION S802310A11

Install in the reverse order of removal.

C: INSPECTION S802310A10

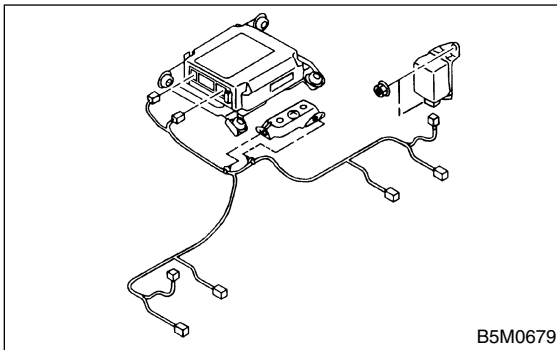
Check for the following, and replace damaged parts with new parts.

- Harness and/or connector is damaged.

8. Side Airbag Harness S802309

A: REMOVAL S802309A18

- 1) Turn ignition switch OFF.
- 2) Disconnect ground cable from battery, and wait for at least 20 seconds before starting work.
- 3) Remove front seat. <Ref. to SE-7, REMOVAL, Front Seat.>
- 4) Remove console box. <Ref. to EI-36, REMOVAL, Console Box.>
- 5) Roll up floor mat, and then disconnect two 12-pin yellow connectors from airbag control module.
- 6) Disconnect connector from side airbag sensor. <Ref. to AB-19, REMOVAL, Side Air Bag Sensor.>
- 7) Detach clips, and then remove side airbag harness.



B: INSTALLATION S802309A11

Install in the reverse order of removal.

C: INSPECTION S802309A10

Check for the following, and replace damaged parts with new parts.

- Harness and/or connector is damaged.

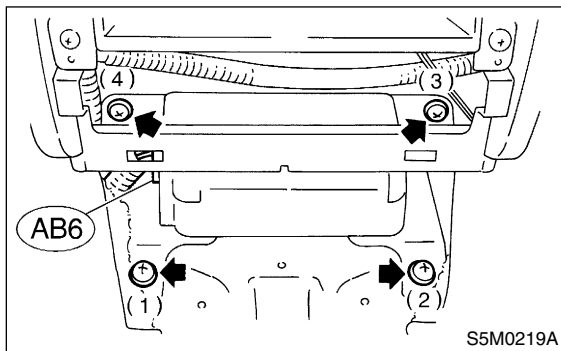
9. Airbag Control Module S802302

A: REMOVAL S802302A18

CAUTION:

- Do not disassemble the airbag control module.
- If the airbag control module is deformed or if water damage is suspected, replace the airbag control module with a new genuine part.
- Do not drop the airbag control module.
- After removal, keep the airbag control module on a dry, clean surface away from moisture, heat, and dust.

- 1) Turn ignition switch OFF.
- 2) Disconnect ground cable from battery, and wait for at least 20 seconds before starting work.
- 3) Remove console box. <Ref. to EI-36, REMOVAL, Console Box.>
- 4) Disconnect connector from airbag control module.
- 5) Using T40[®] TORX bit (Tamper resistant type), remove four TORX[®] bolts in the order shown in the figure.



B: INSTALLATION S802302A11

CAUTION:

- Use new TORX[®] bolts during re-assembly. Install in the reverse order of removal.**

C: INSPECTION S802302A10

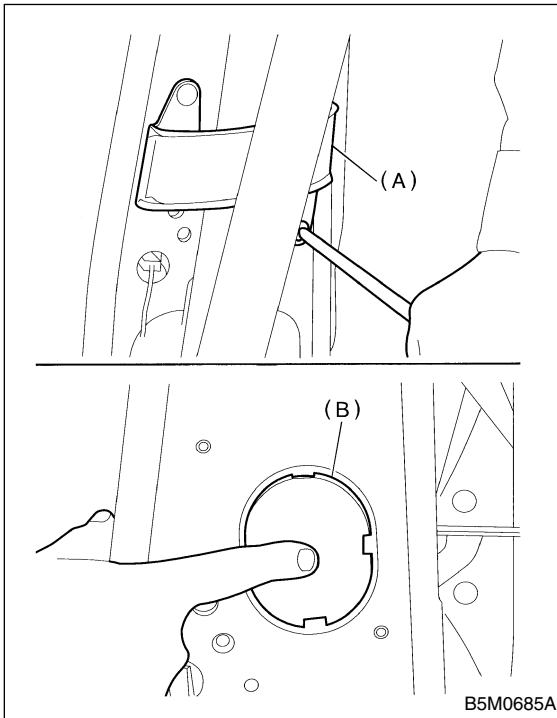
Check for the following, and replace damaged parts with new parts.

- Control module, connector, and mounting bracket are damaged.
- Airbag is deployed.

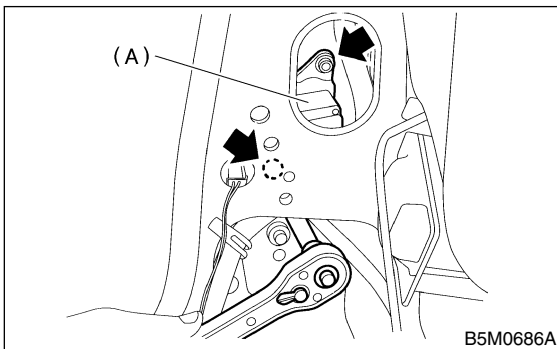
10. Side Airbag Sensor S802298

A: REMOVAL S802298A18

- 1) Turn ignition switch OFF.
- 2) Disconnect ground cable from battery, and wait for at least 20 seconds before starting work.
- 3) Remove center pillar lower trim. <Ref. to EI-43, REMOVAL, Lower Inner Trim.>
- 4) Remove Outer Belt (FRONT). <Ref. to SB-7, REMOVAL, Front Seat Belt.>
- 5) Remove bracket (A), and then remove cap (B).



- 6) Using E12 TORX® remove two TORX® nuts, and then detach side airbag sensor (A).



B: INSTALLATION S802298A11

CAUTION:
Use new TORX® nuts during re-assembly.
Install in the reverse order of removal.

C: INSPECTION S802298A10

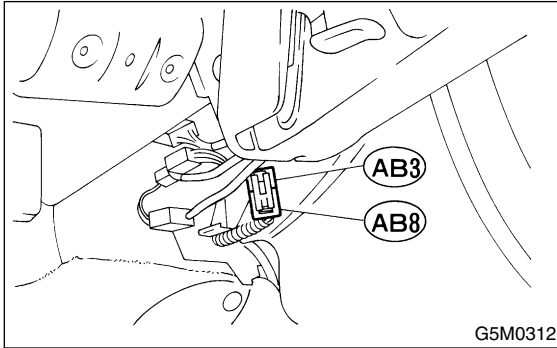
Check for the following, and replace damaged parts with new parts.

- Bracket connector for side airbag sensor is damaged.

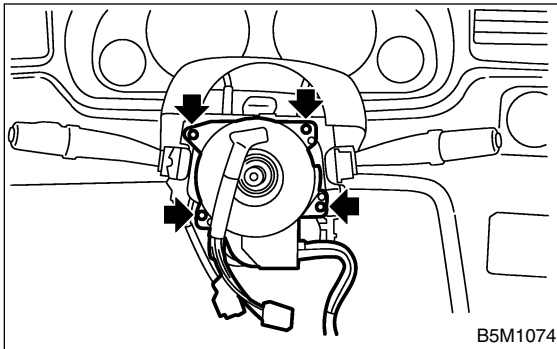
11. Roll Connector S802299

A: REMOVAL S802299A18

- 1) Turn ignition switch OFF.
- 2) Disconnect ground cable from battery, and wait for at least 20 seconds before starting work.
- 3) Remove instrument panel lower cover.
- 4) Disconnect airbag connectors (AB3) and (AB8) below steering column.



- 5) Remove driver's airbag module. <Ref. to AB-13, Driver's Airbag Module.>
- 6) Remove steering wheel. <Ref. to PS-17, REMOVAL, Steering Wheel.>
- 7) Remove steering column cover.
- 8) Remove screws, and then remove roll connector.



B: INSTALLATION S802299A11

Install in the reverse order of removal.

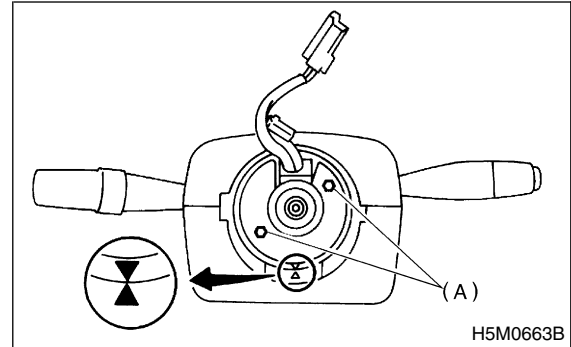
C: INSPECTION S802299A10

Check for the following, and replace damaged parts with new parts.

- Combination switch and roll connector is cracked or deformed.

D: ADJUSTMENT S802299A01

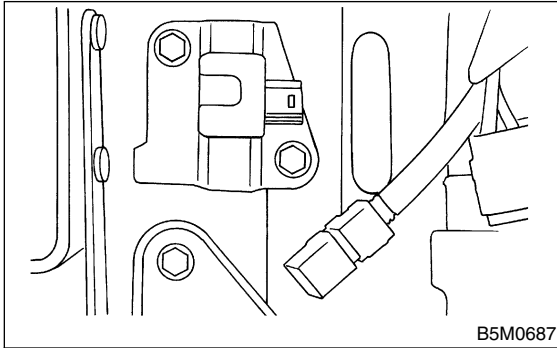
- 1) Check that front wheels are positioned in straight ahead direction.
- 2) Turn roll connector pin (A) clockwise until it stops.
- 3) Turn roll connector pin (A) counterclockwise approximately 2.65 turns until "▲" marks are aligned.



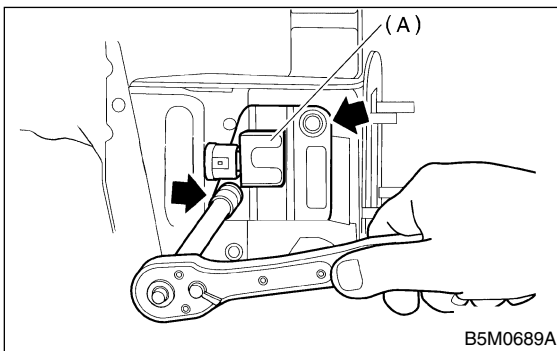
12. Front Sub Sensor S802300

A: REMOVAL S802300A18

- 1) Turn ignition switch OFF.
- 2) Disconnect ground cable from battery, and wait for at least 20 seconds before starting work.
- 3) Remove front bumper. <Ref. to EI-14, REMOVAL, Front Bumper.>
- 4) Disconnect connector from front sub sensor.



- 5) Remove front sub sensor (A).



B: INSTALLATION S802300A11

Install in the reverse order of removal.

C: INSPECTION S802300A10

Check for the following, and replace damaged parts with new parts.

- Front sub sensor, mounting bracket, and connector are damaged.

FRONT SUB SENSOR HARNESS

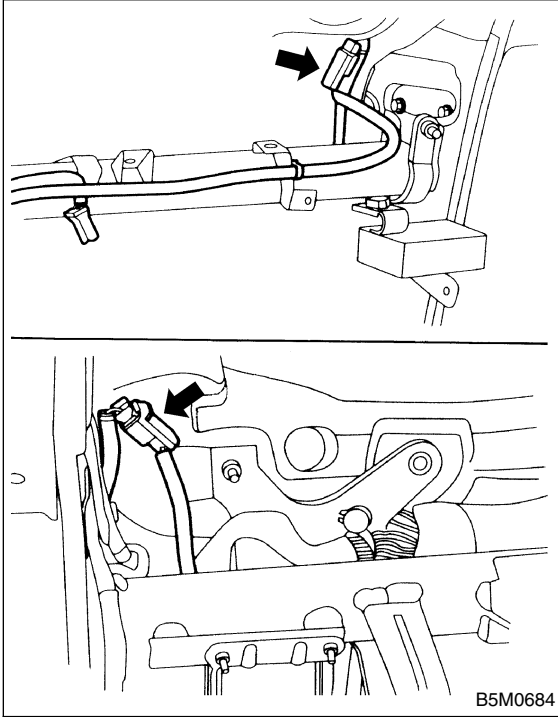
Airbag System

13. Front Sub Sensor Harness

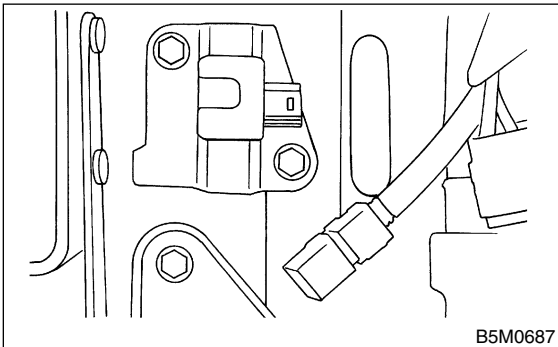
S802572

A: REMOVAL S802572A18

- 1) Turn ignition switch OFF.
- 2) Disconnect ground cable from battery, and wait for at least 20 seconds before starting work.
- 3) Remove instrument panel. <Ref. to EI-37, REMOVAL, Instrument Panel Assembly.>
- 4) Disconnect front sub sensor connector (blue) from airbag main harness.

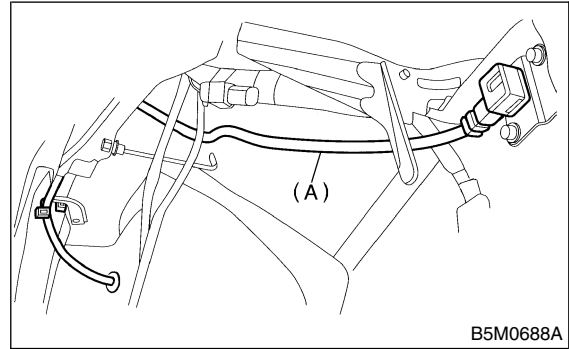


- 5) Remove front bumper. <Ref. to EI-14, REMOVAL, Front Bumper.>
- 6) Disconnect connector from front sub sensor.



- 7) Remove wiring harness clips.

- 8) Remove grommet, and then detach front sub sensor harness (A).



B: INSTALLATION S802572A11

Install in the reverse order of removal.

C: INSPECTION S802572A10

Check for the following, and replace damaged parts.

- Harness and/or connector is damaged.

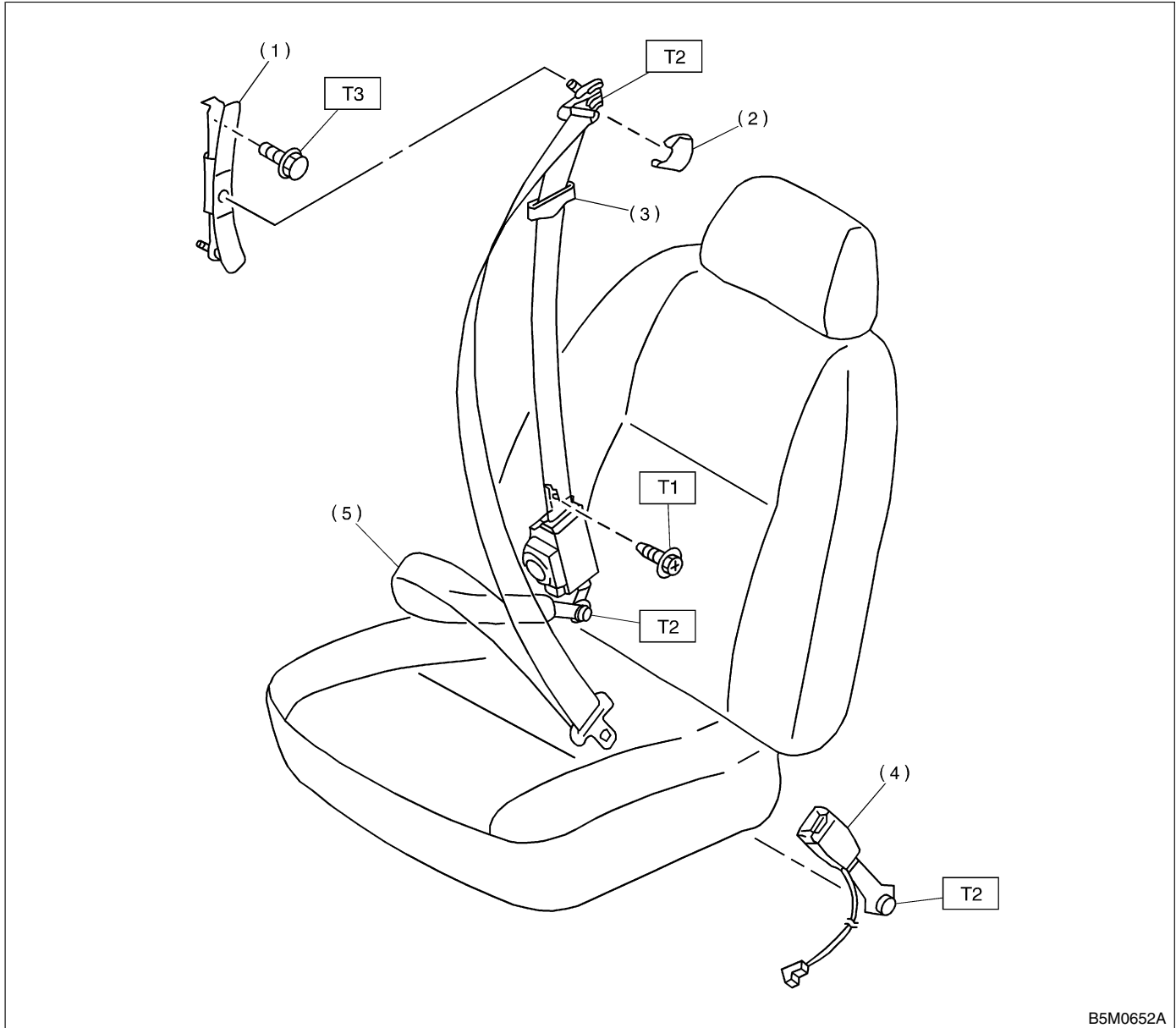
GENERAL DESCRIPTION

Seat Belt System

1. General Description SB01001

A: COMPONENT SB01001A05

1. FRONT SEAT BELT SB01001A0501



(1) Adjuster anchor ASSY

(2) Anchor cover

(3) Webbing guide

(4) Inner belt ASSY

(5) Outer belt ASSY

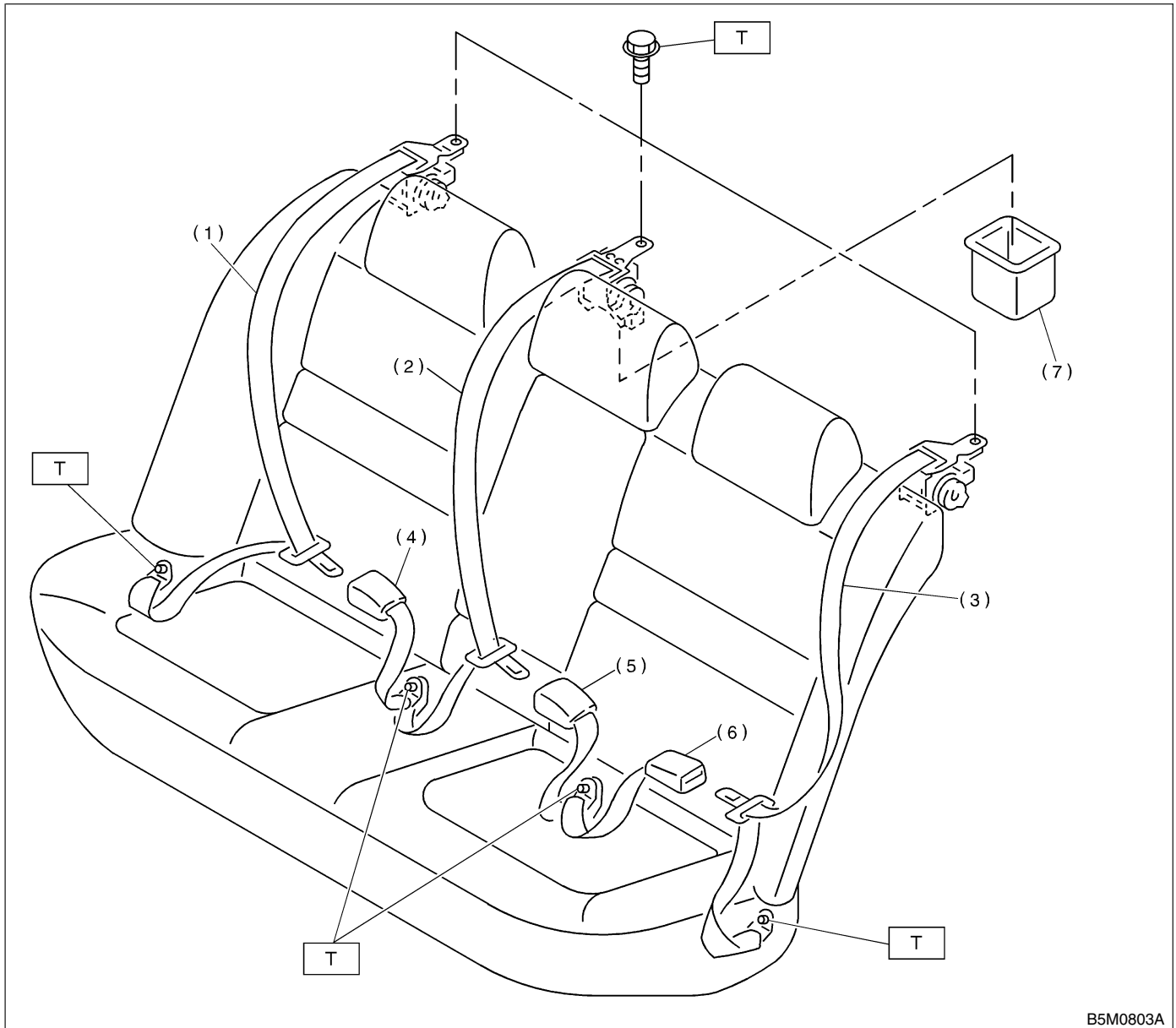
Tightening torque: N·m (kgf·m, ft·lb)

T1: 7.5 (0.76, 5.5)

T2: 30 (3.1, 22)

T3: 53 (5.4, 39)

2. REAR SEAT BELT (SEDAN BODY) S801001A0502



B5M0803A

- | | |
|----------------------------|----------------------------|
| (1) Outer seat belt RH | (5) Inner seat belt CENTER |
| (2) Outer seat belt CENTER | (6) Inner seat belt LH |
| (3) Outer seat belt LH | (7) Case center ELR |
| (4) Inner seat belt RH | |

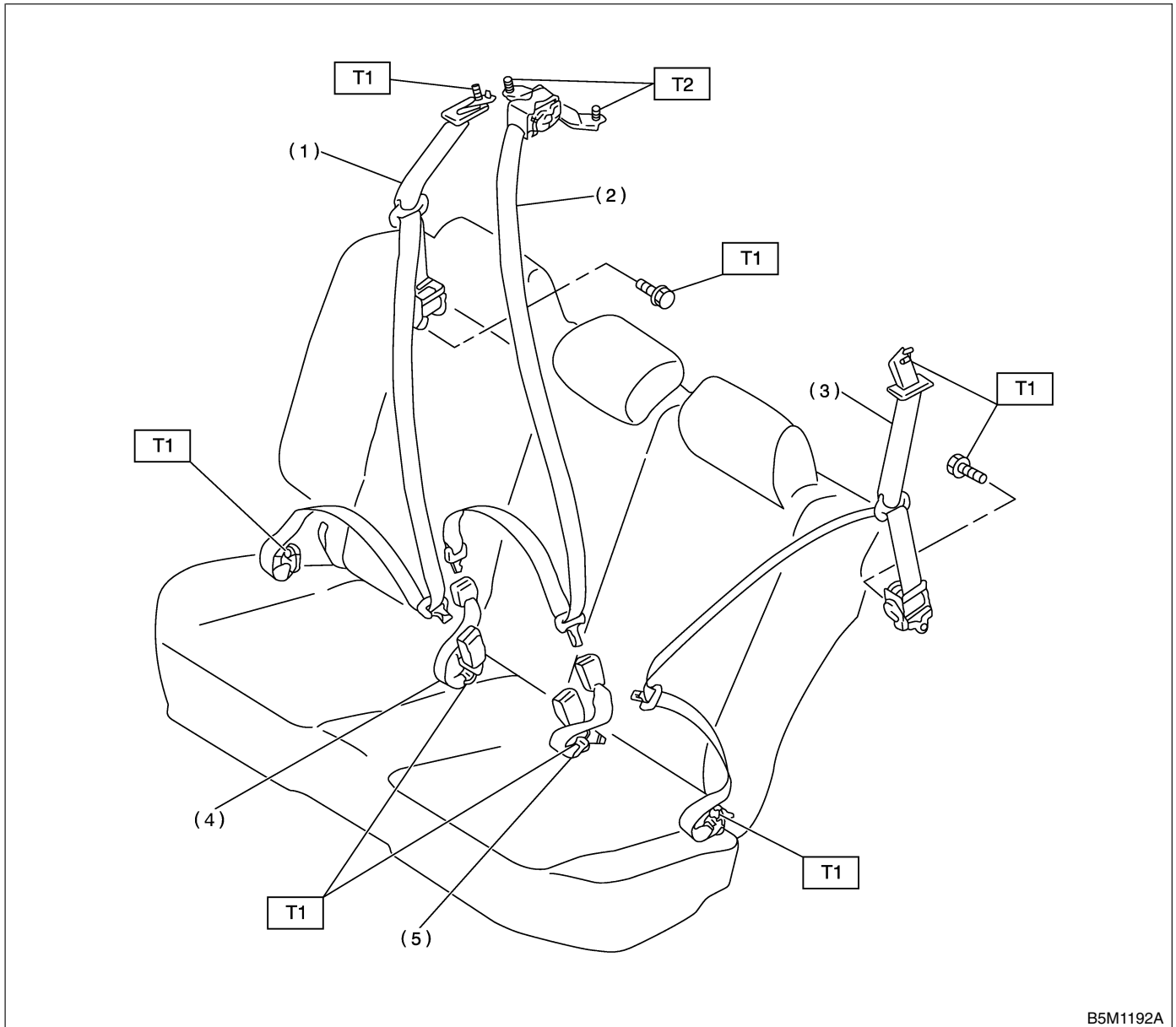
Tightening torque: N·m (kgf·m, ft·lb)

T: 30 (3.1, 22)

GENERAL DESCRIPTION

Seat Belt System

3. REAR SEAT BELT (WAGON BODY) S801001A0503



- (1) Outer seat belt RH
- (2) Outer seat belt CENTER
- (3) Outer seat belt LH
- (4) Inner seat belt RH

- (5) Inner seat belt LH

Tightening torque: N·m (kgf·m, ft·lb)

T1: 30 (3.1, 22)

T2: 53 (5.4, 39)

B: CAUTION SB01001A03

- Before starting, turn the ignition switch off, disconnect the battery ground cable and wait for 20 seconds or more.
- The pretension system has a backup power source. The pretensioner might deploy if you do not wait for 20 seconds or more before starting
- Do not drop or apply any impact to the pretensioner.
- If oil, grease, or water gets on the pretensioner, wipe it off immediately with a dry cloth.
- Do not expose the pretensioner to high temperature or flame.
- Do not allow current to flow through or voltage to reach the pretensioner. Do not use a circuit tester to check resistance of the pretensioner.
- Do not disassemble or attempt to repair the pretensioner. If it is dented, cracked, or deformed, replace it with a new one.
- Do not use the air bag or pretensioner parts from other vehicles. Always replace parts with new parts
- When handling a seat belt with a deployed pretensioner, wear gloves and goggles. Wash your hands afterwards.
- Do not re-use a seat belt with a deployed pretensioner again.
- If the material gets in your eyes or on your skin during deployment, wash it away with clean water, and then consult a doctor.

2. Inspection Locations After a Collision SB01306

A: INSPECTION SB01306A10

Check for the following, and then replace with new parts if necessary.

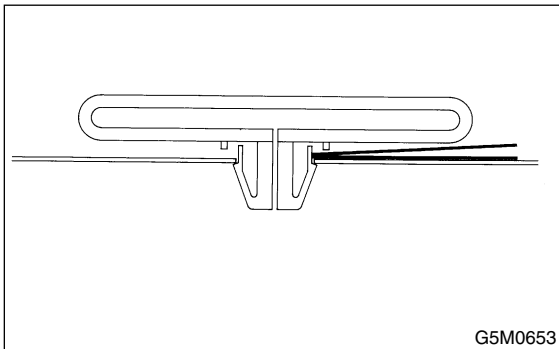
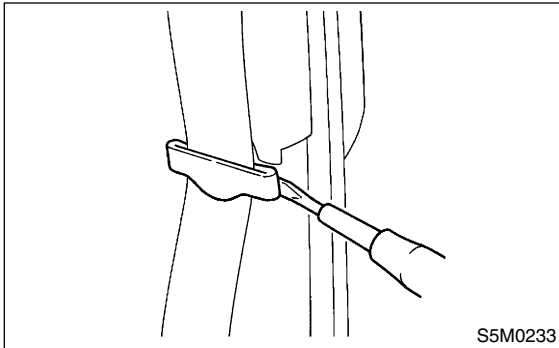
- Center pillar lower garnish is discolored or cracked.
- Wire harness and/or connector is damaged.

3. Front Seat Belt S801303

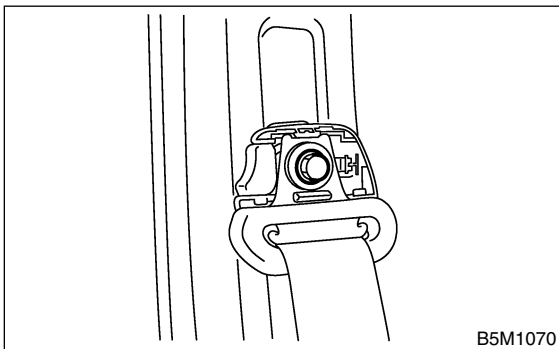
A: REMOVAL S801303A18

1. OUTER BELT (FRONT) S801303A1801

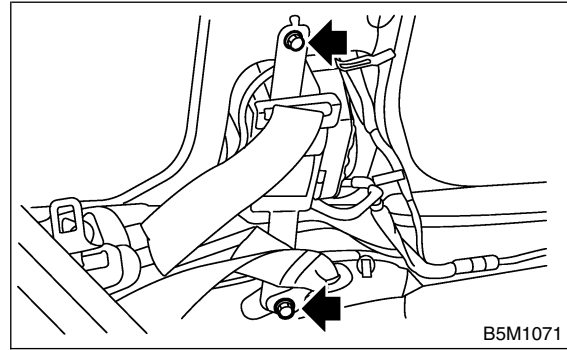
- 1) Fold backrest all the way forward, and then move front seat all the way forward.
- 2) Turn ignition switch OFF, disconnect ground cable from battery, and wait for more than 20 seconds before starting work.
- 3) Remove center pillar lower trim. <Ref. to EI-43, REMOVAL, Inner Trim Panel.>
- 4) Remove webbing guide.



- 5) Remove anchor cover. Loosen shoulder anchor bolt, and then detach shoulder anchor from center pillar.



- 6) Turn over the floor mat to remove bolt.



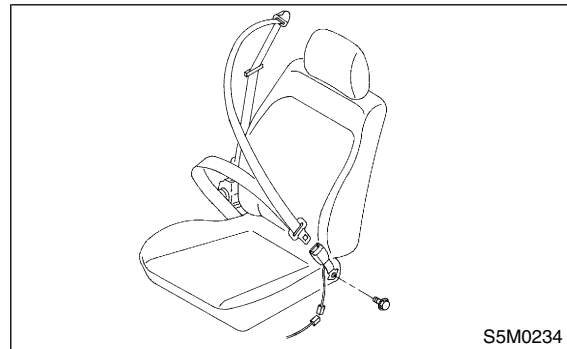
- 7) Disconnect yellow connector of pretensioner harness, and remove outer belt (front).

CAUTION:

- Do not drop or apply any impact to pretensioner.
- Pretensioner and bracket should be treated as an assembly. Do not attempt to disassemble it.

2. INNER BELT (FRONT) S801303A1802

- 1) Disconnect connector.
- 2) Remove anchor bolt, and then detach inner belt.



FRONT SEAT BELT

Seat Belt System

B: INSTALLATION SB01303A11

1. OUTER BELT (FRONT) SB01303A1101

Install in the reverse order of removal.

CAUTION:

- **The parts on left and right are not identical. Before installation, make sure that the correct part is used.**
- **Be careful not to twist belts during installation.**

2. INNER BELT (FRONT) SB01303A1102

Install in the reverse order of removal.

Tightening torque:

Refer to COMPONENT in General Description.

<Ref. to SB-2, FRONT SEAT BELT, COMPONENT, General Description.>

C: INSPECTION SB01303A10

1. OUTER BELT (FRONT) SB01303A1001

Check for the following, and replace with new parts if necessary.

- Pretensioner is cracked or deformed.
- Seat belt is slackened, bent, or frayed. Seat belt is abnormally wound or extended.

2. INNER BELT (FRONT) SB01303A1002

Check for the following, and replace with new parts if necessary.

- Inner belt is deformed or damaged.
- Seat belt buckle is engaged improperly.

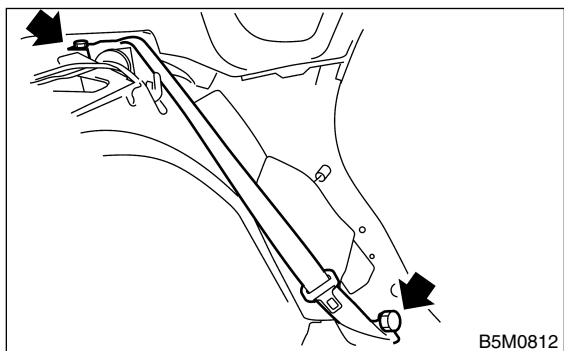
4. Rear Seat Belt S801304

A: REMOVAL S801304A18

1. OUTER BELT SIDE (SEDAN BODY)

S801304A1801

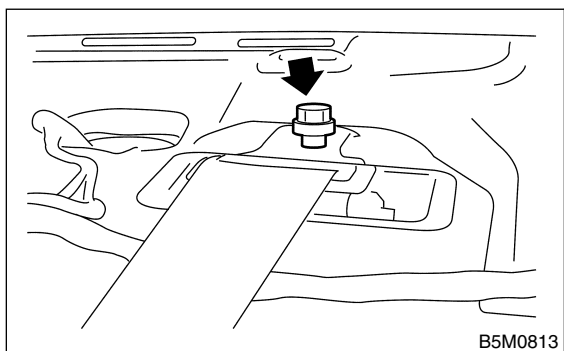
- 1) Remove rear shelf trim. <Ref. to EI-50, Rear Shelf Trim.>
- 2) Remove side sill rear upper cover. <Ref. to EI-43, REMOVAL, Lower Inner Trim.>
- 3) Remove bolts, then detach outer belt side.



2. OUTER BELT CENTER (SEDAN BODY)

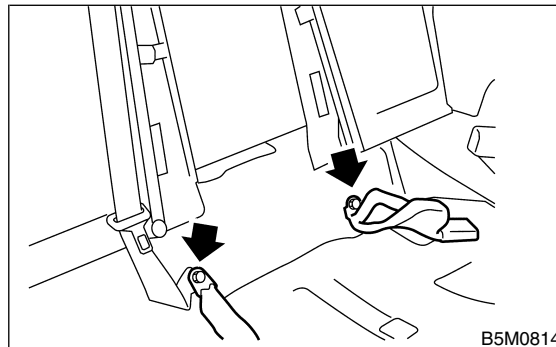
S801304A1802

- 1) Remove rear shelf trim. <Ref. to EI-50, REMOVAL, Rear Shelf Trim.>
- 2) Remove bolt, and then detach outer belt center.



3. INNER BELT (SEDAN BODY) S801304A1803

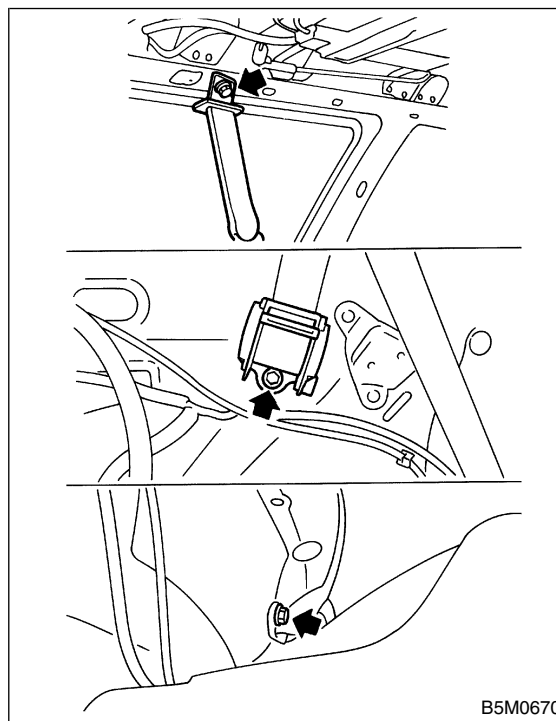
- 1) Remove the rear cushion. <Ref. to SE-17, REMOVAL, Rear Seat.>
- 2) Remove bolts, and then detach inner belt.



4. OUTER BELT SIDE (WAGON BODY)

S801304A1804

- 1) Remove rear quarter trim. <Ref. to EI- 44, REMOVAL, Rear Quarter Trim.>
- 2) Remove rear quarter upper trim. <Ref. to EI-42, REMOVAL, Upper Inner Trim.>
- 3) Remove bolt and nut, and then detach outer belt side.



5. OUTER BELT CENTER (WAGON BODY)

S801304A1805

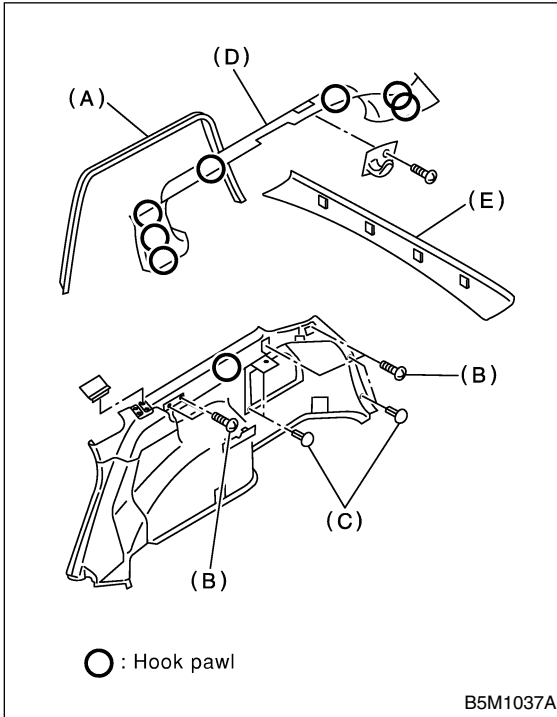
CAUTION:
When removing clip, use great care not to damage the roof trim.

- 1) Remove luggage room light. <Ref. to LI-27, REMOVAL, Luggage Room Light.>

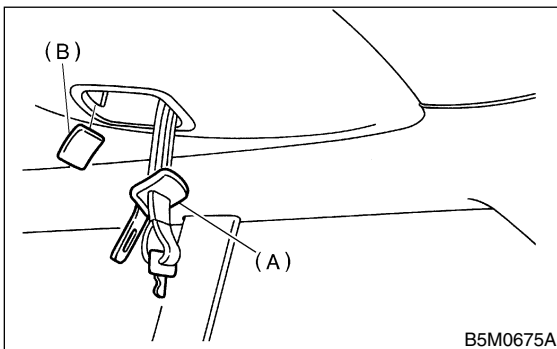
REAR SEAT BELT

Seat Belt System

- 2) Remove rear mole (A) of right side.
- 3) Remove screws (B) and clips (C) of rear quarter lower trim shown in the figure.
- 4) Remove rear quarter upper trim (D) of right side.
- 5) Remove rear rail trim (E).

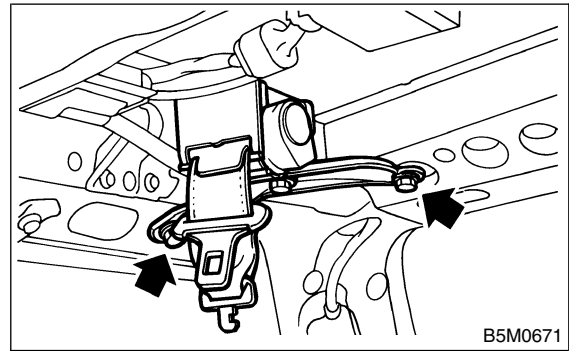


- 6) Remove cover (B) while detaching snap lock carefully. Put the outer belt center tongue (A) out to the other side of the trim through the hole.



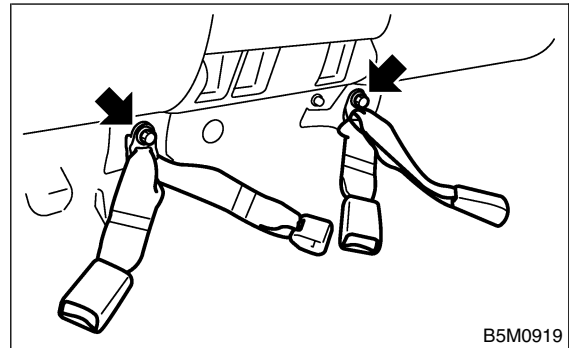
- 7) Remove clips and hang down rear end of roof trim.

- 8) Disconnect harness and connector, and then remove outer belt center assembly.



6. INNER BELT (WAGON BODY) S801304A1806

- 1) Raise the rear cushion.
- 2) Remove bolt, and then detach inner belt.



B: INSTALLATION S801304A11

1. OUTER BELT SIDE (SEDAN BODY)

S801304A1101

Install in the reverse order of removal.

CAUTION:

- During installation, make sure that seat belts are not twisted.
- After installation, make sure that seat belts can be smoothly extended and wound.

2. OUTER BELT CENTER (SEDAN BODY)

S801304A1102

Install in the reverse order of removal.

CAUTION:

- During installation, make sure that seat belts are not twisted.
- After installation, make sure that seat belts can be smoothly extended and wound.

3. INNER BELT (SEDAN BODY) S801304A1103

Install in the reverse order of removal.

CAUTION:

During installation, make sure that seat belts are not twisted.

4. OUTER BELT SIDE (WAGON BODY)

S801304A1104

Install in the reverse order of removal.

CAUTION:

- During installation, make sure that seat belts are not twisted.
- After installation, make sure that seat belts can be smoothly extended and wound.

5. OUTER BELT CENTER (WAGON BODY)

S801304A1105

Install in the reverse order of removal.

CAUTION:

- During installation, make sure that seat belts are not twisted.
- After installation, make sure that seat belts are smoothly extended and wound.

6. INNER BELT (WAGON BODY) S801304A1106

Install in the reverse order of removal.

CAUTION:

During installation, make sure that seat belts are not twisted.

Tightening torque:

30 N·m (3.1 kgf·m, 22 ft-lb)

C: INSPECTION S801304A10

1. OUTER BELT SIDE (SEDAN BODY)

S801304A1001

Check for the following, and replace with new parts if necessary.

- Seat belt is slackened, bent, or frayed. Seat belt is abnormally wound or extended.

2. OUTER BELT CENTER (SEDAN BODY)

S801304A1002

Check for the following, and replace with new parts if necessary.

- Seat belt is slackened, bent, or frayed. Seat belt is abnormally wound or extended.

3. INNER BELT (SEDAN BODY) S801304A1003

Check for the following, and replace with new parts if necessary.

- Inner belt is deformed or damaged.
- Seat belt buckle is engaged improperly.

4. OUTER BELT SIDE (WAGON BODY)

S801304A1004

Check for the following, and replace with new parts if necessary.

- Seat belt is slackened, bent, or frayed. Seat belt is abnormally wound or extended.

5. OUTER BELT CENTER (WAGON BODY)

S801304A1005

Check for the following, and replace with new parts if necessary.

- Seat belt is slackened, bent, or frayed. Seat belt is abnormally wound or extended.

6. INNER BELT (WAGON BODY) S801304A1006

Check for the following, and replace with new parts if necessary.

- Inner belt is deformed or damaged.
- Seat belt buckle is engaged improperly.

REAR SEAT BELT

Seat Belt System

MEMO:

BASIC DIAGNOSTIC PROCEDURE

Airbag System (DIAGNOSTICS)

1. Basic Diagnostic Procedure

S002627

A: PROCEDURE S002627E45

| No. | Step | Check | Yes | No |
|-----|--|-------------------------------------|---|--|
| 1 | Read Diagnostic Trouble Code. <Ref. to AB-21, Read Diagnostics Trouble Code.> | Is the normal code being detected? | Finish the diagnosis. | Go to step 2. |
| 2 | Read Diagnostic Trouble Code. <Ref. to AB-21, Read Diagnostics Trouble Code.> | Is the trouble code being detected? | Go to step 3. | Go to "Airbag Warning Light Failure". <Ref. to AB-24, Airbag Warning Light Failure.> |
| 3 | Perform the diagnosis. 1) Judge the possible cause from "List of Diagnostic Trouble Code" <Ref. to AB-30, List of Diagnostic Trouble Code.> 2) Inspect using "Diagnostic Chart with Trouble Code". (DTC) 3) Repair the cause of the trouble. 4) Perform the clear memory mode. <Ref. to AB-23, Clear Memory Mode.> 5) Perform the inspection mode. <Ref. to AB-22, Inspection Mode.> 6) Read diagnostic trouble code. | Is the trouble code being detected? | Perform the procedure 1) to 5) in step 3. | Finish the diagnosis. |

CHECK LIST FOR INTERVIEW

Airbag System (DIAGNOSTICS)

2. Check List for Interview S002502

A: CHECK S002502A04

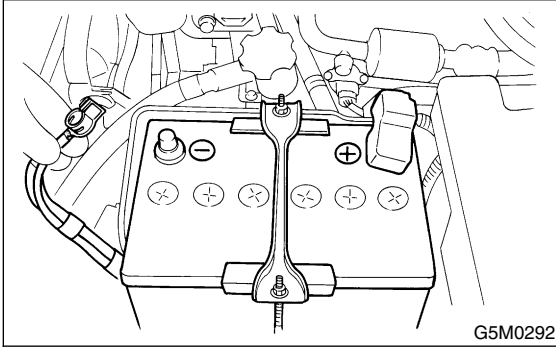
| | | | |
|----------------------------|--|-------------------|-----|
| Customer's Name | | Inspector's Name | |
| Date Vehicle Brought In | / / | Registration No. | |
| Odometer Reading | Km Miles | Vin No. | |
| Date Problem Occurred | / / | Registration Year | / / |
| Weather | <input type="checkbox"/> Fine <input type="checkbox"/> Cloudy <input type="checkbox"/> Rainy <input type="checkbox"/> Snowy <input type="checkbox"/> Other: | | |
| Temperature | °C (°F) | | |
| Road Condition | <input type="checkbox"/> Level road <input type="checkbox"/> Uphill <input type="checkbox"/> Downhill <input type="checkbox"/> Rough road <input type="checkbox"/> Others: | | |
| Vehicle Operation | <input type="checkbox"/> Starting <input type="checkbox"/> Idling <input type="checkbox"/> Driving (<input type="checkbox"/> Constant Speed <input type="checkbox"/> Acceleration <input type="checkbox"/> Deceleration <input type="checkbox"/> Steering wheel turn <input type="checkbox"/> Other:) | | |
| Details of Problem | | | |
| Check Airbag Warning Light | <input type="checkbox"/> Remains ON <input type="checkbox"/> Remains OFF | | |
| Check DTC | <input type="checkbox"/> Normal Code <input type="checkbox"/> Trouble Code: (Code:) | | |

GENERAL DESCRIPTION

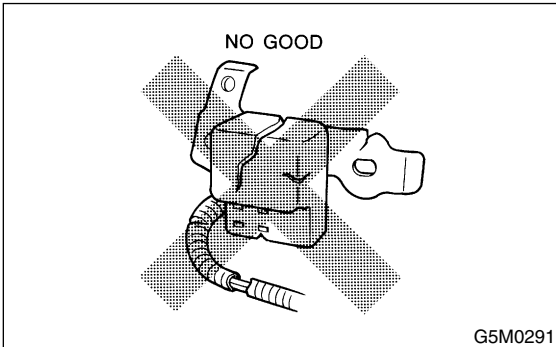
3. General Description S002001

A: CAUTION S002001A03

- When servicing a vehicle, be sure to turn the ignition switch OFF, disconnect the ground cable from the battery, and wait for more than 20 seconds before starting work.
- The airbag system is fitted with a backup power source. If the airbag system is serviced within 20 seconds after the ground cable is disconnected, it may inflate.

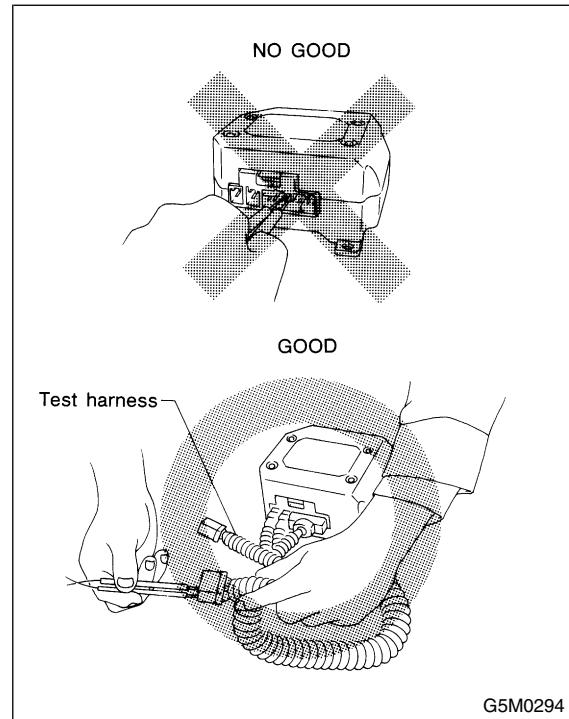
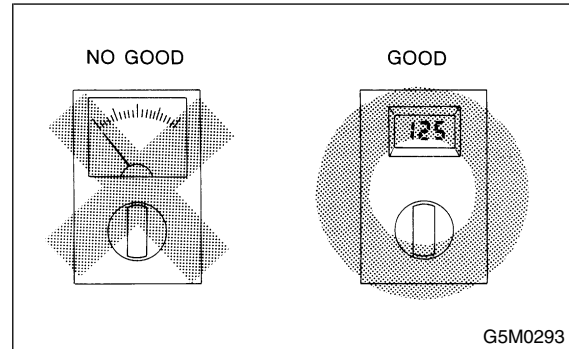


- If sensors, airbag module, airbag control module pretensioner, and harness are deformed or damaged, replace them with new genuine parts.
- Do not use the airbag system and pretensioners on other vehicles. When replacing parts, be sure to replace them with new parts.



- When checking the system, be sure to use a digital circuit tester. Use of an analog circuit tester may cause the airbag to activate erroneously.

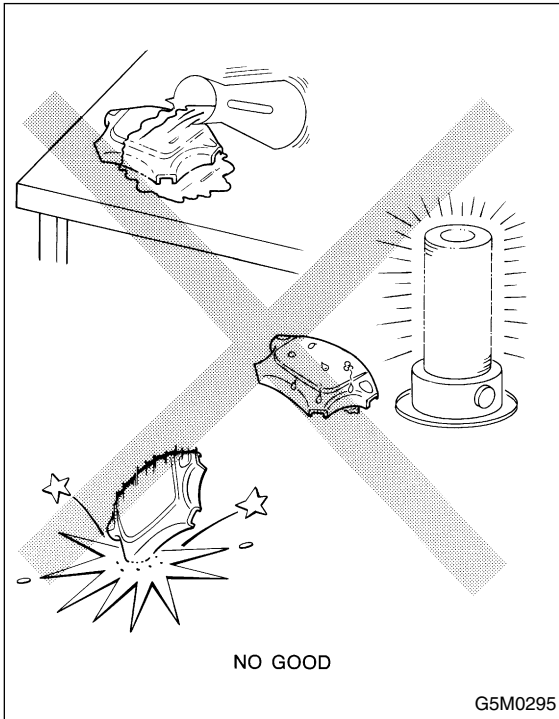
- When checking, use a test harness. Do not directly apply the tester probe to any connector terminal of the airbag.



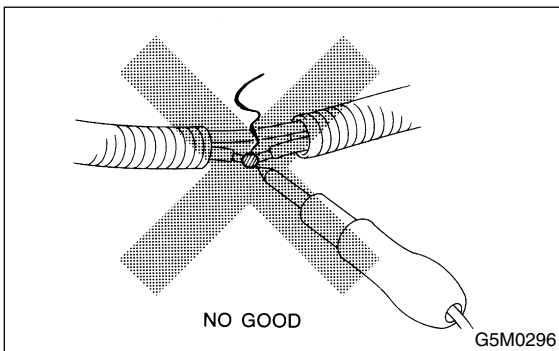
GENERAL DESCRIPTION

Airbag System (DIAGNOSTICS)

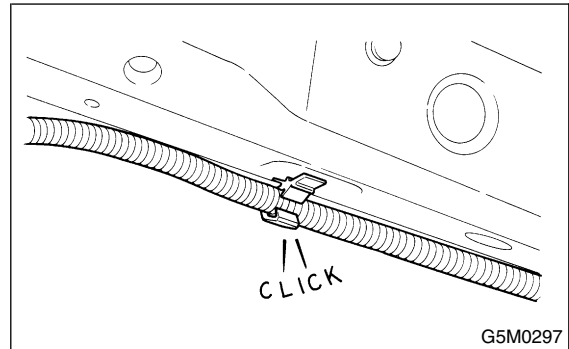
- Do not drop the airbag modulator parts, subject them to high temperature over 93°C (199°F), or let water, oil, or grease get on them; otherwise, the internal parts may be damaged and reliability greatly lowered.



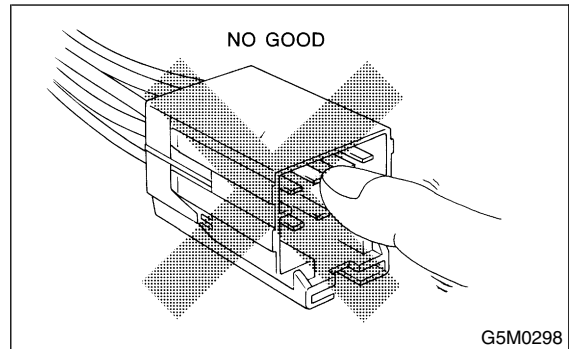
- If any damage, opening or rust is found on the airbag system wire harness, do not attempt to repair using soldering equipment. Be sure to replace the faulty harness with a new genuine part.



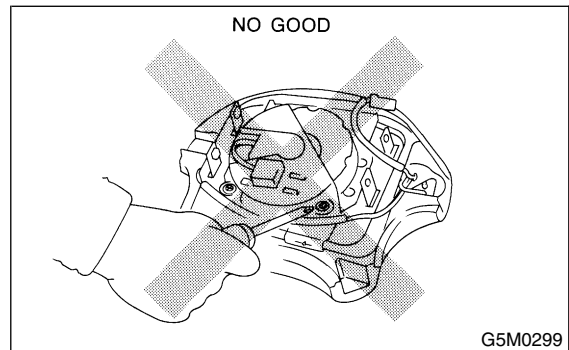
- Install the wire harness securely with the specified clips to avoid interference or tangled up with other parts.



- Do not allow water or oil to come in contact with the connector terminals. Do not touch the connector terminals.



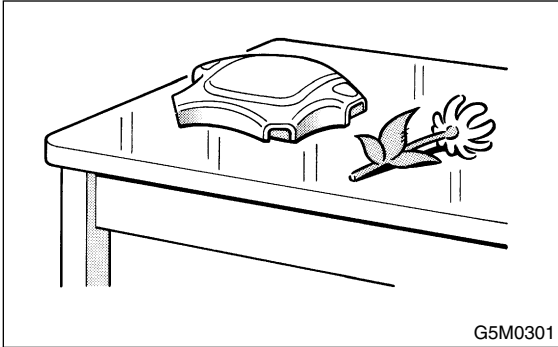
- The airbag module (driver, passenger, and side, pretensioner) must not be disassembled.
- The airbag module cannot be used again once inflated.



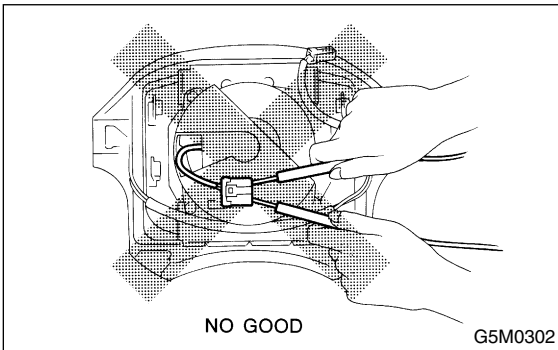
GENERAL DESCRIPTION

Airbag System (DIAGNOSTICS)

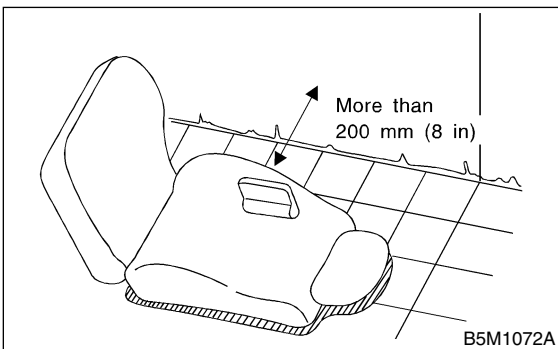
- After removal, keep the airbag module with the pad facing upward on a dry, clean, and flat surface away from heat and light sources, and moisture and dust.



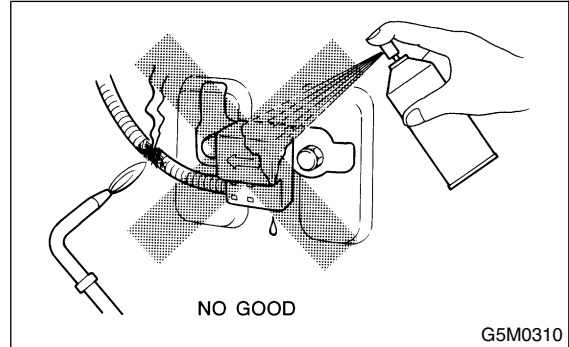
- Do not check continuity of the airbag module (driver, passenger, and side, pretensioner).



- The removed front seat with the airbag module must be kept at least 200 mm (8 in) away from walls and other objects.



- When painting or performing sheet metal work on the front part of the vehicle, including the front wheel apron, front fender, and front side frame, take utmost care not to apply paint or the flame of the welding burner directly to the front sub sensors and wire harness of the airbag system.
- When painting or performing sheet metal work on the side of the vehicle, including the side sill, center pillar, and front and rear doors, take utmost care not to apply paint or the flame of the welding burner directly to the side airbag sensors and wire harness of the airbag system.



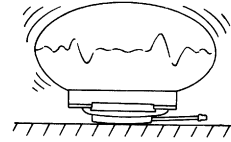
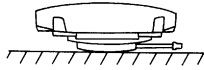
- When storing a removed airbag module, do not place any objects on it or pile airbag modules on top of each other. If the airbag inflates for some reason when it is placed with its pad side facing downward or under any object, a serious accident may result.

GENERAL DESCRIPTION

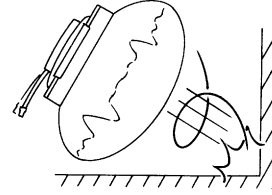
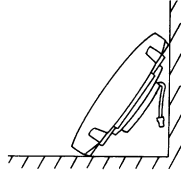
Airbag System (DIAGNOSTICS)

Driver side

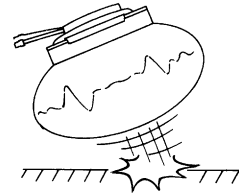
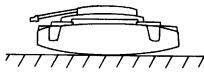
GOOD



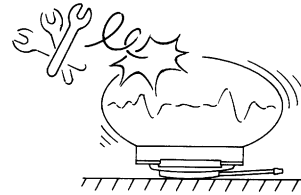
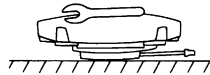
NO GOOD



NO GOOD

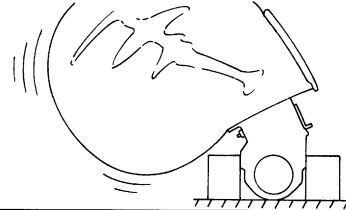
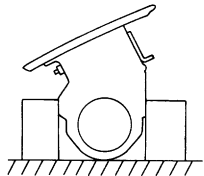


NO GOOD

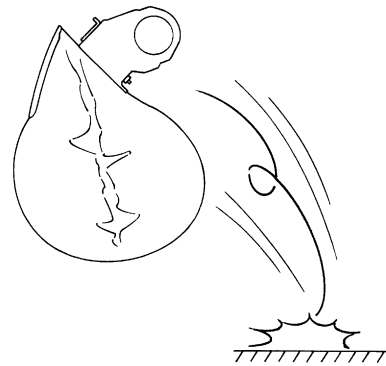
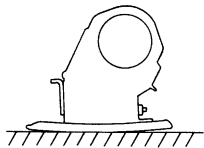


Passenger side

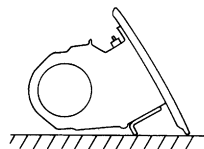
GOOD



NO GOOD



NO GOOD



G5M0604

GENERAL DESCRIPTION

Airbag System (DIAGNOSTICS)

- Do not discard undeployed airbag modules. They could easily cause a serious accident if accidentally deployed.
- Do not damage the airbag module or drop it.

B: INSPECTION S002001A10

Before diagnosing, check the following items that might be related to the engine problem:

1. BATTERY S002001A1001

Measure battery voltage and specific gravity of electrolyte.

Standard voltage: 12V

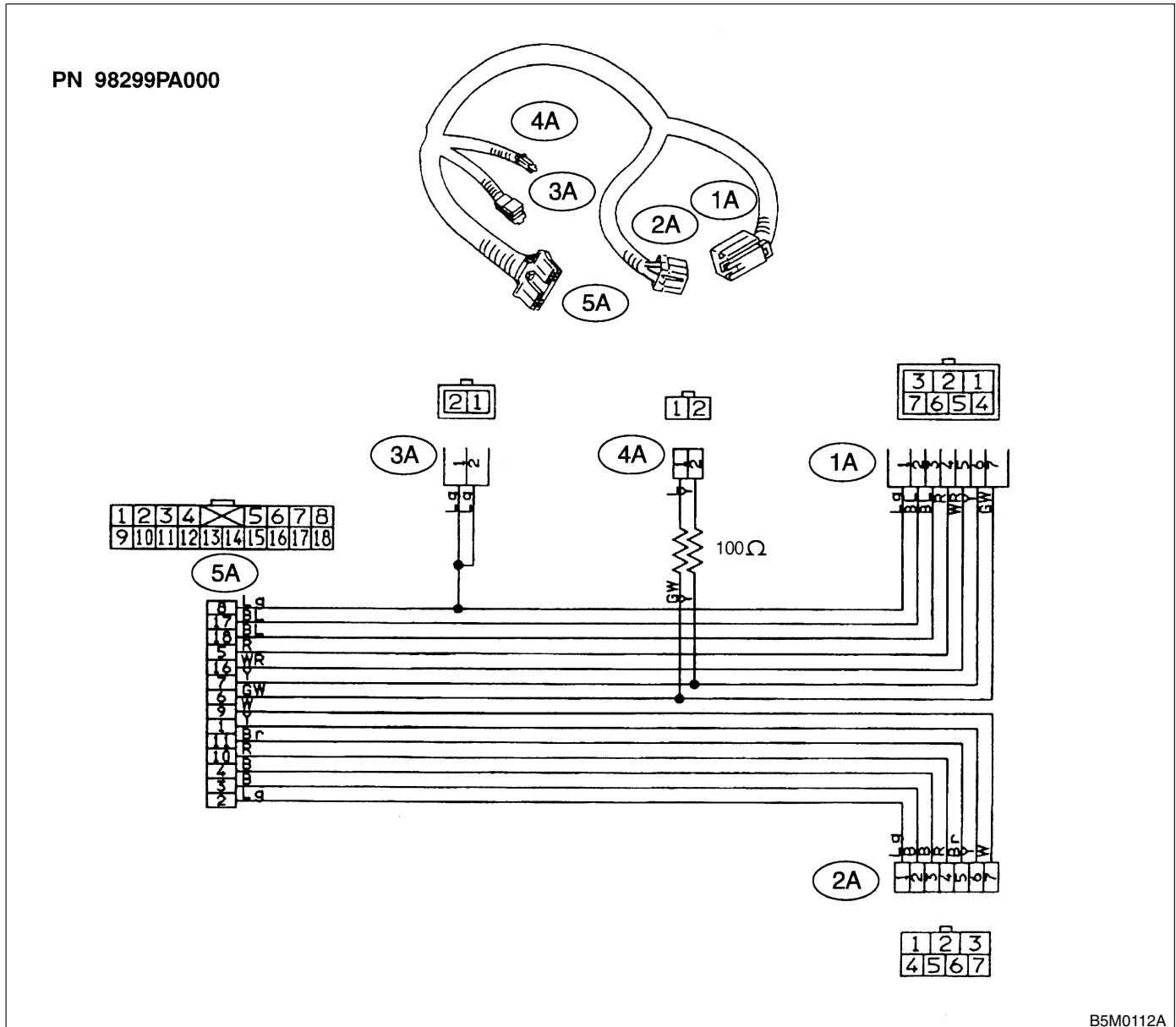
Specific gravity: Above 1.260

C: PREPARATION TOOL S002001A17

CAUTION:

Be sure to use specified test harness A, F, G, H, K and I2 when measuring voltage, resistance, etc. of AIRBAG system component parts.

1. TEST HARNESS A S002001A1701



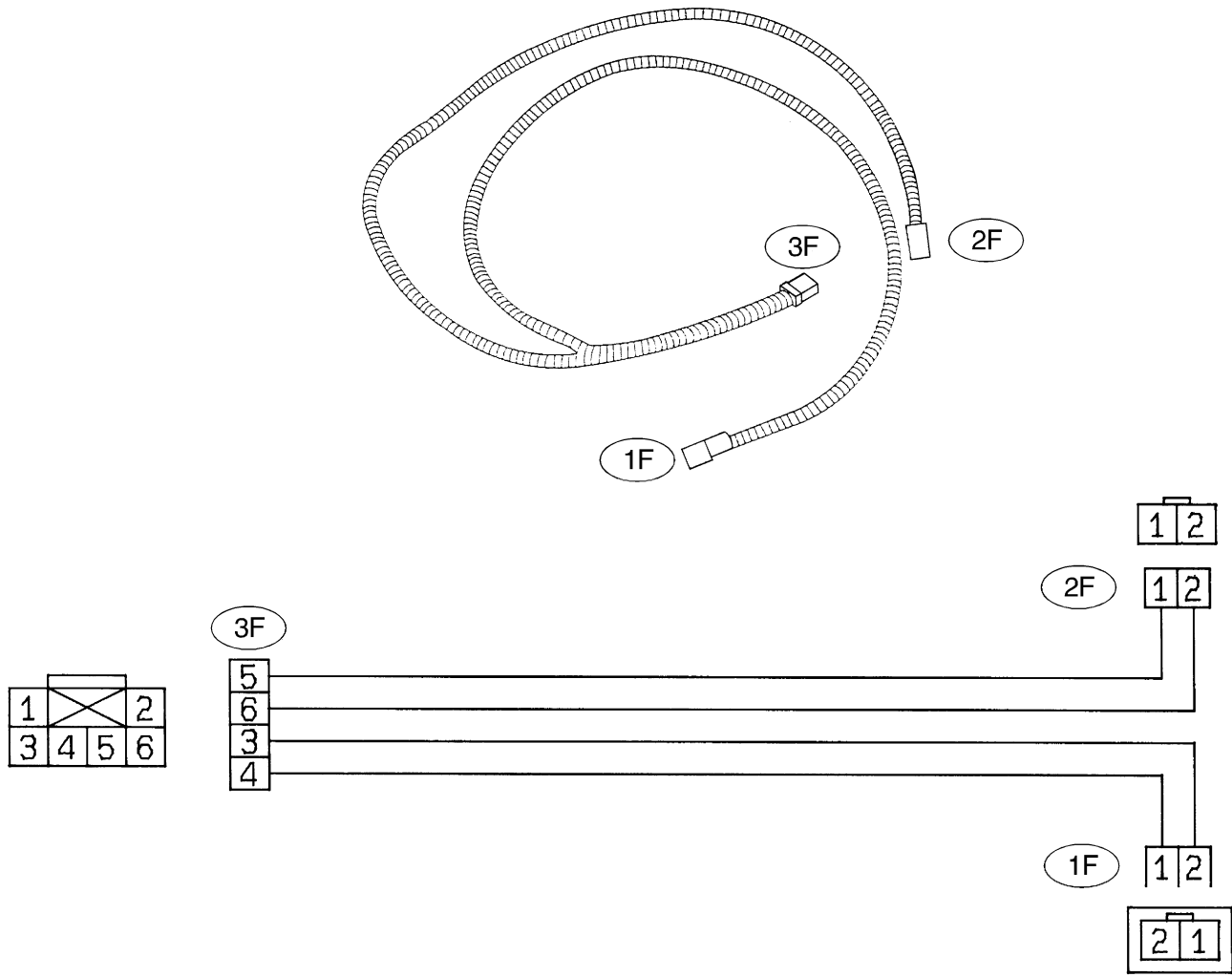
B5M0112A

GENERAL DESCRIPTION

Airbag System (DIAGNOSTICS)

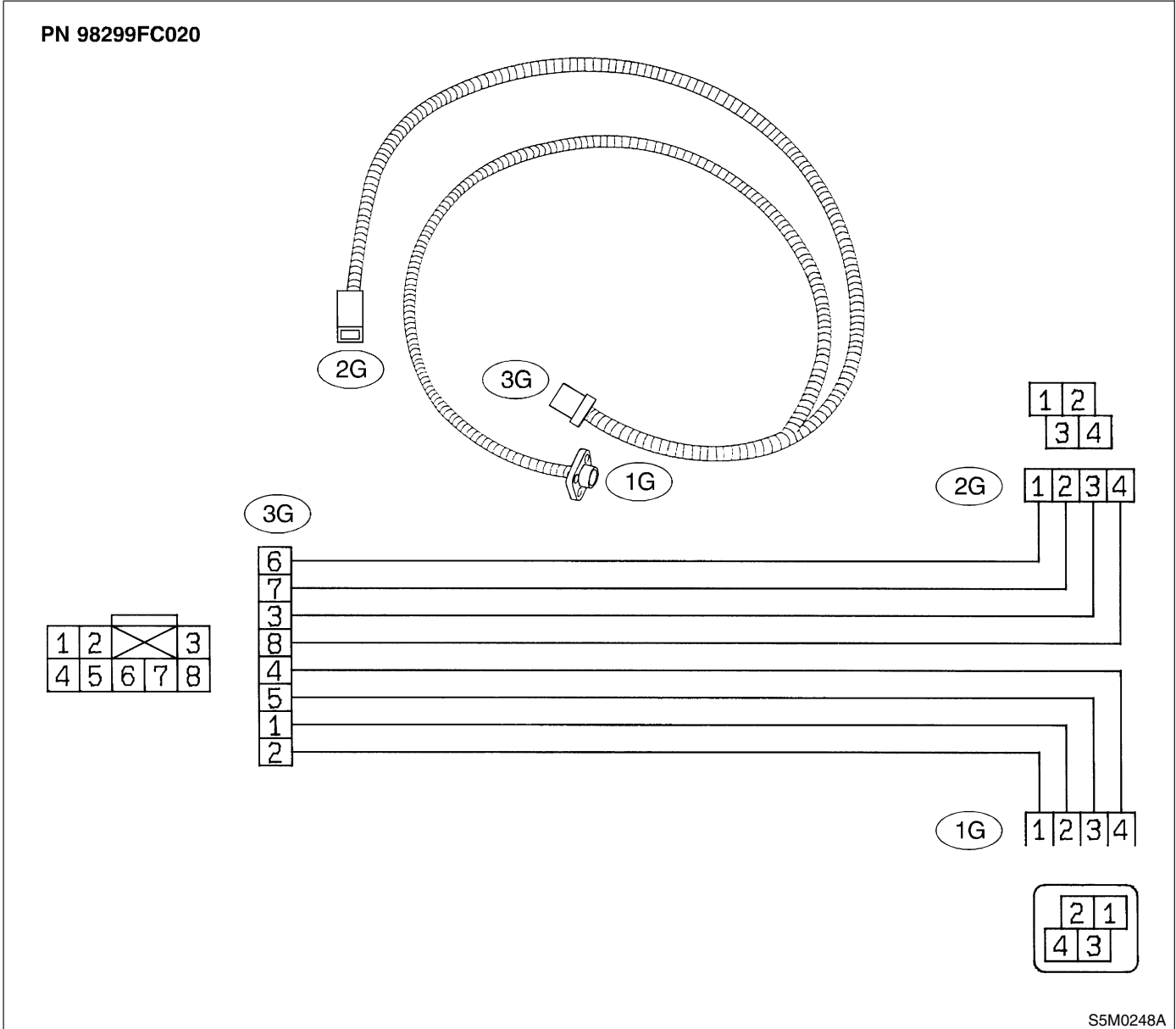
2. TEST HARNESS F S002001A1702

PN 98299FC010



S5M0247A

3. TEST HARNESS G S002001A1703

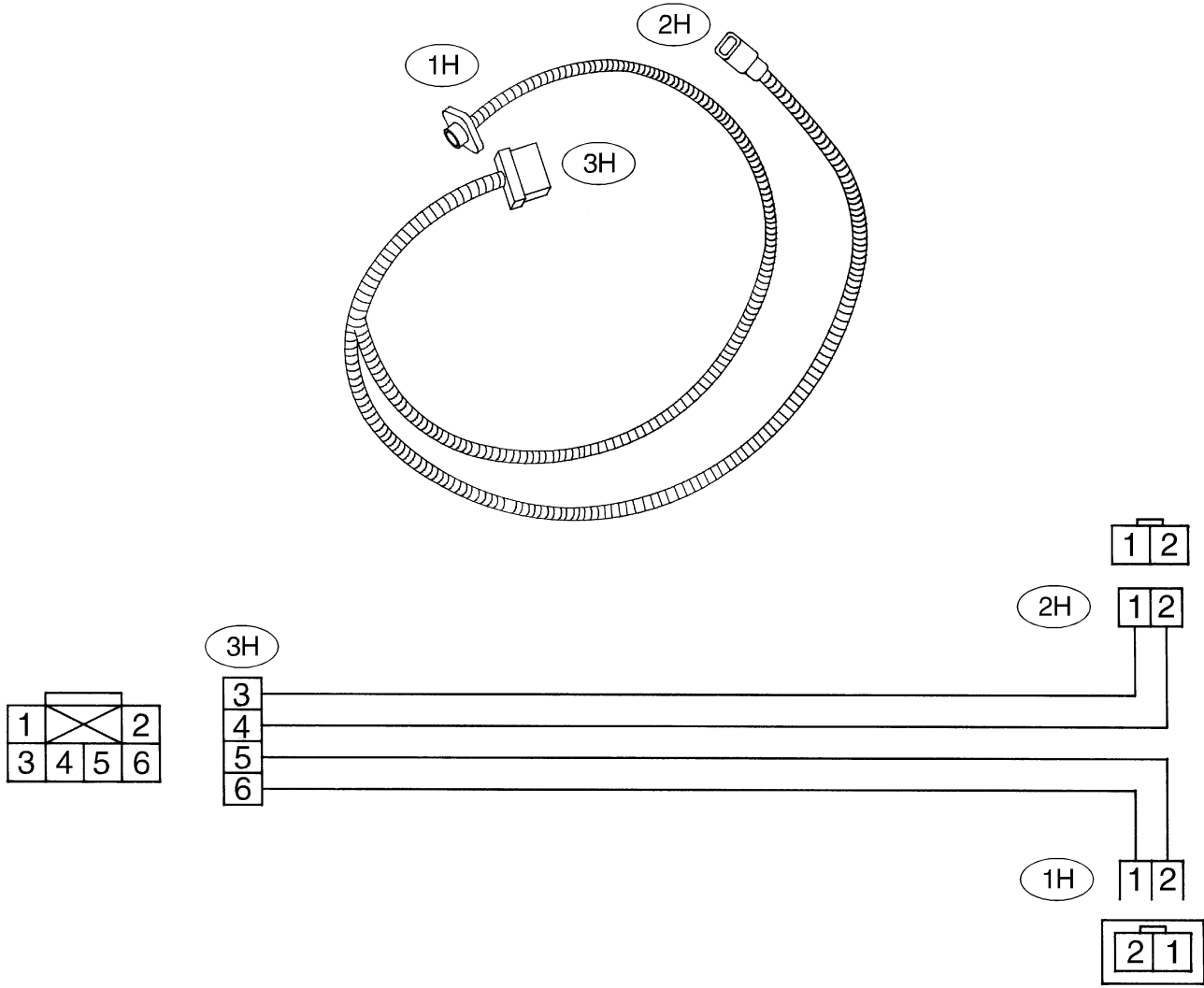


GENERAL DESCRIPTION

Airbag System (DIAGNOSTICS)

4. TEST HARNESS H S002001A1704

PN 98299FA030



B5M0553B

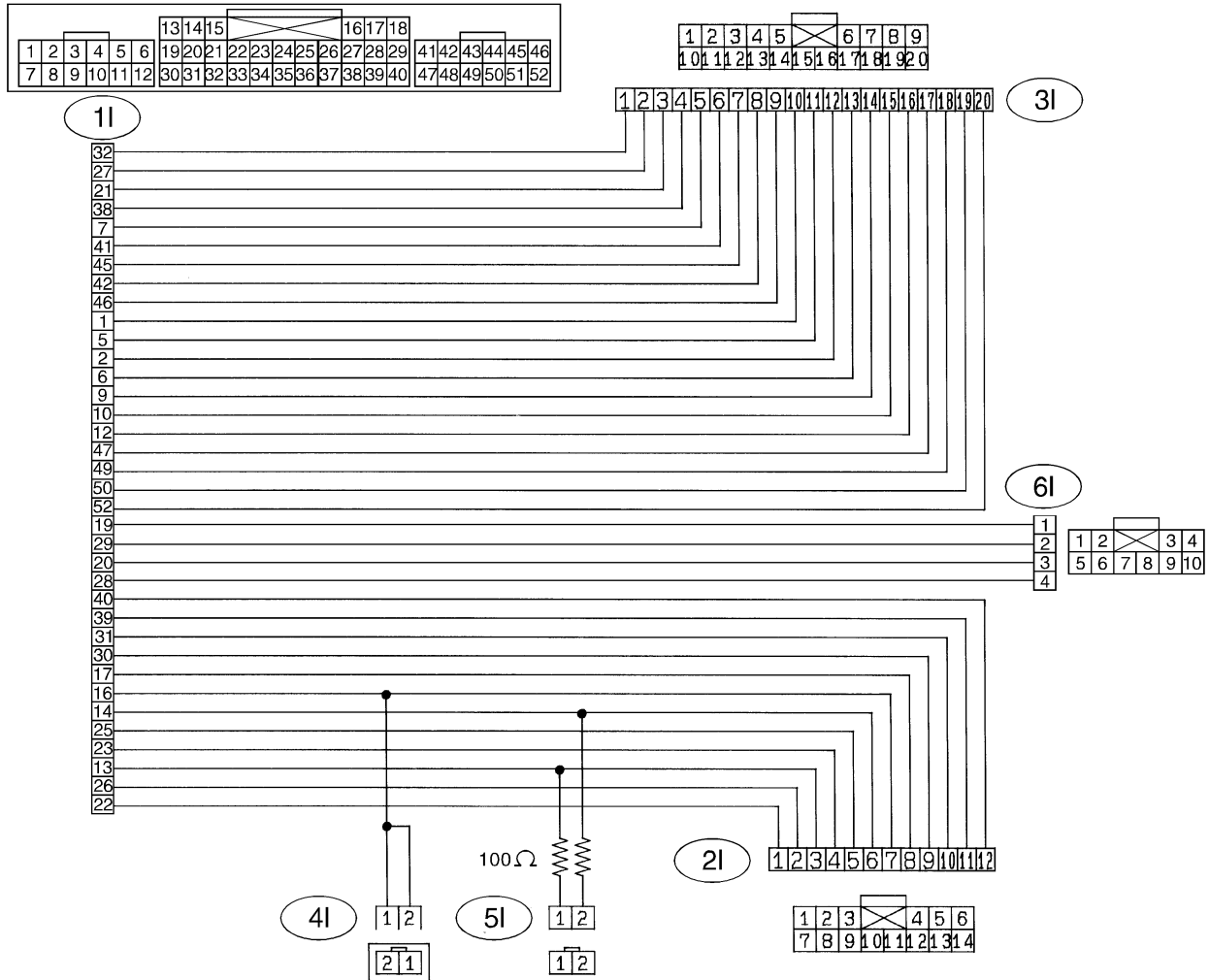
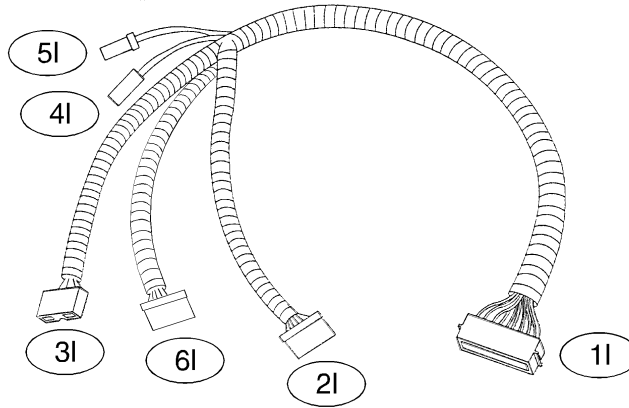
GENERAL DESCRIPTION

Airbag System (DIAGNOSTICS)

5. TEST HARNESS I2

S002001A1705

PN 98299FC041



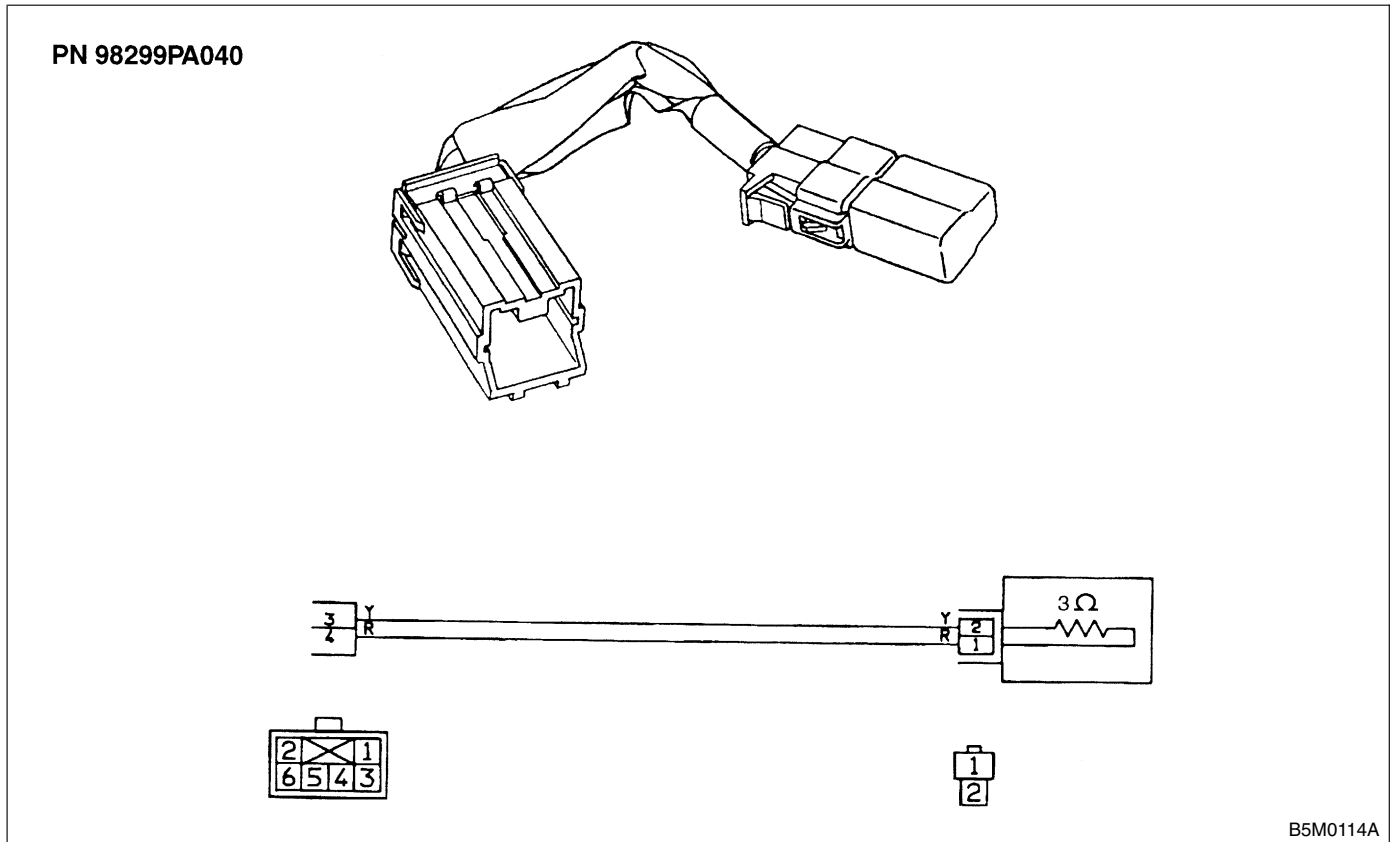
B5M0927A

GENERAL DESCRIPTION

Airbag System (DIAGNOSTICS)

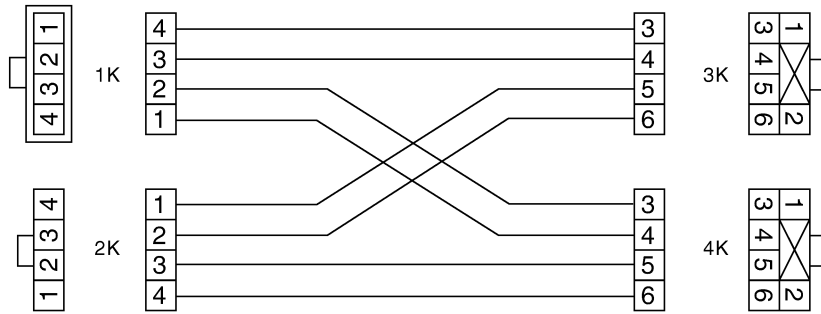
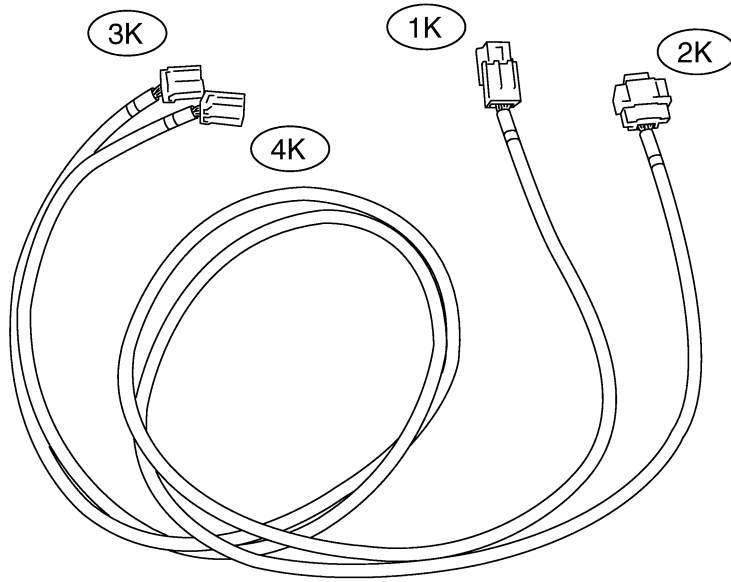
6. AIRBAG RESISTOR S002001A1706

The airbag resistor is used during diagnostics. The airbag resistor has the same resistance as the airbag module and thus provides safety when used instead of the airbag module. It also makes it possible to finish diagnostics in less time.



GENERAL DESCRIPTION

7. TEST HARNESS K S002001A1708



B5M1110A

ELECTRICAL COMPONENTS LOCATION

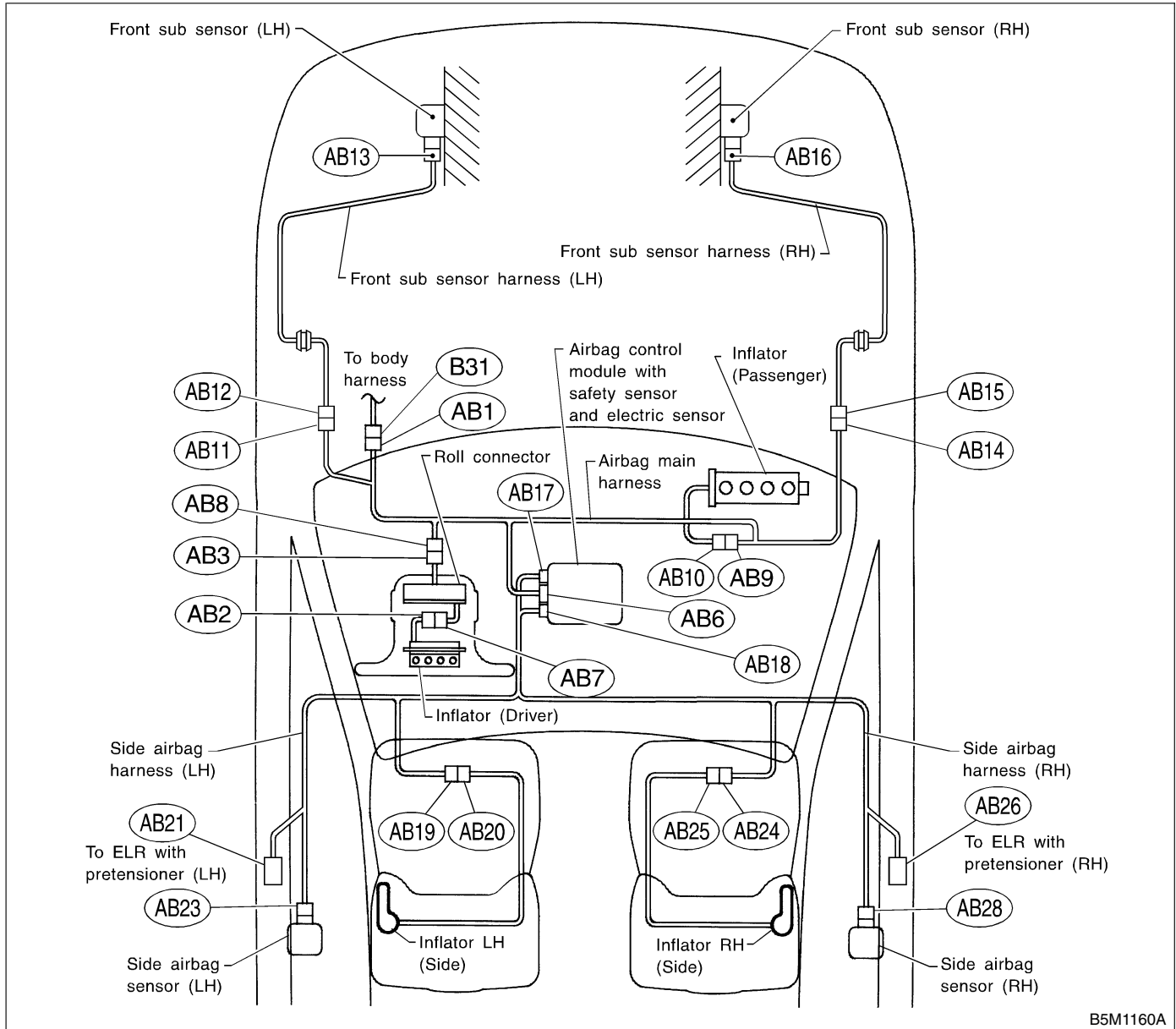
Airbag System (DIAGNOSTICS)

4. Electrical Components Location

S002507

A: LOCATION

S002507A13



| | | | | | | | | | | | | |
|---------------|--------|--------|--------|--------|--------|--------|--------|--------|--------|--------|--------|--------|
| Connector No. | (AB1) | (AB2) | (AB3) | (AB6) | (AB7) | (AB8) | (AB9) | (AB10) | (AB11) | (AB12) | (AB13) | (AB14) |
| Pole | 7 | 2 | 2 | 28 | 2 | 2 | 4 | 4 | 2 | 2 | 2 | 2 |
| Color | Yellow | Yellow | Yellow | Yellow | Yellow | Yellow | Yellow | Yellow | Blue | Blue | Yellow | Blue |
| Male/Female | Male | Male | Male | Female | Female | Female | Female | Male | Male | Female | Female | Male |
| Connector No. | (AB15) | (AB16) | (AB17) | (AB18) | (AB19) | (AB20) | (AB21) | (AB23) | (AB24) | (AB25) | (AB26) | (AB28) |
| Pole | 2 | 2 | 12 | 12 | 2 | 2 | 2 | 4 | 2 | 2 | 2 | 4 |
| Color | Blue | Yellow | Yellow | Yellow | Yellow | Yellow | Yellow | Yellow | Yellow | Yellow | Yellow | Yellow |
| Male/Female | Female | Female | Female | Female | Female | Female | Male | Female | Female | Male | Female | Female |

AB-16

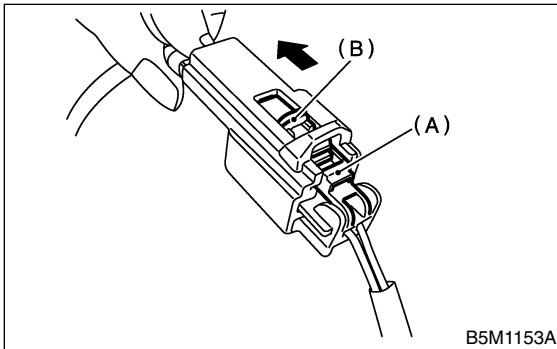
5. Airbag Connector S002659

A: OPERATION S002659A16

1. DRIVER'S AIRBAG, SIDE AIRBAG, FRONT SUB SENSOR HARNESS TO AIRBAG MAIN HARNESS AND PRETENSIONER S002659A1614

● **How to disconnect:**

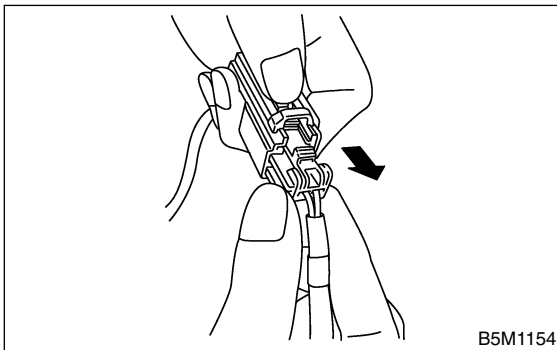
- 1) Push lock arm (A).
- 2) With lock arm (A) pushed in, move slide lock (B) in the direction of the arrow.



- 3) With slide lock (B) pulled, remove lock arm (A) to its original position, and then pull in the direction of the arrow and separate the connector.

CAUTION:

When pulling, be sure to hold onto the connector and not the wire.

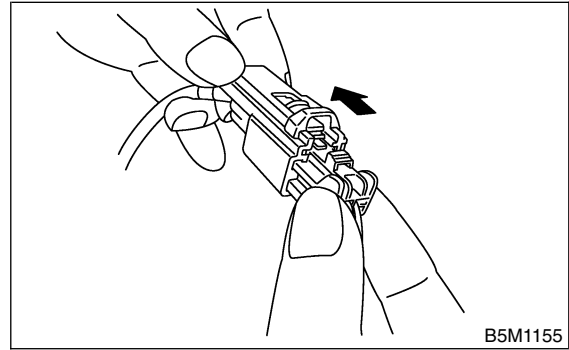


● **How to connect:**

Holding the connector, and push it in carefully until a connecting sound is heard.

CAUTION:

Be sure to insert the connector in until it locks. Then pull on it gently to make sure that it is locked.



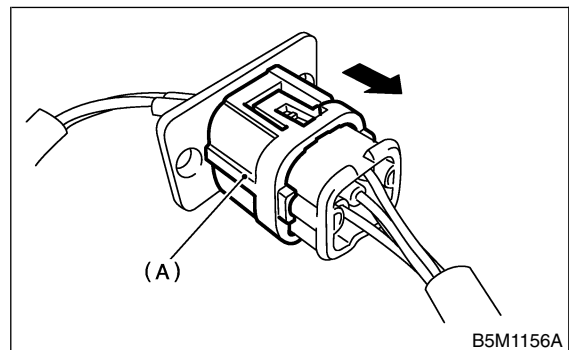
2. FRONT SUB-SENSOR, SIDE AIRBAG SENSOR S002659A1603

● **How to disconnect:**

- 1) Holding outer part (A), pull it in the direction of the arrow.

CAUTION:

When pulling, be sure to hold onto the connector and not the wire.



AIRBAG CONNECTOR

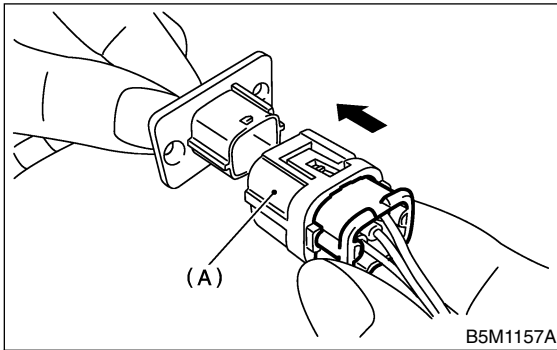
Airbag System (DIAGNOSTICS)

● How to connect:

Holding the connector, and push it in carefully until a connecting sound is heard.

CAUTION:

- Outer (A) moves back, and so do not put your hand on the outer part.
- Be sure to insert the connector in until it locks. Then pull on it gently to make sure that it is locked.



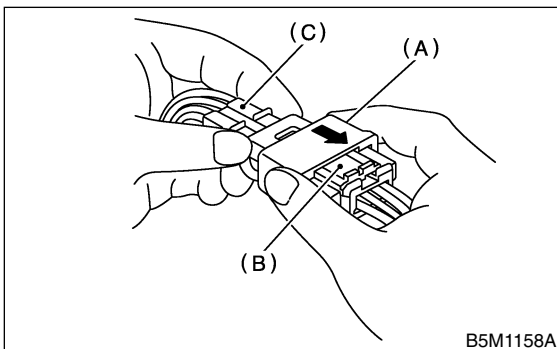
3. PASSENGER'S AIRBAG S002659A1602

● How to disconnect:

Holding female connector (C) in one hand, use your other hand to pull slide lock (A) in the direction of the arrow.

CAUTION:

When pulling, be sure to hold onto the slide lock and not the male connector or wire.



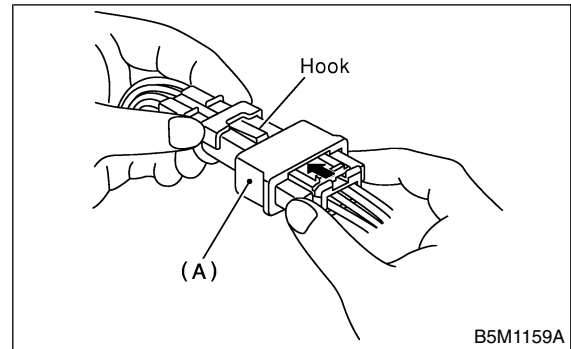
● How to connect:

1) Insert female connector (C) over male connector socket (B), and push slide lock (A) into the female connector tabs.

CAUTION:

Do not hold onto the slide lock.

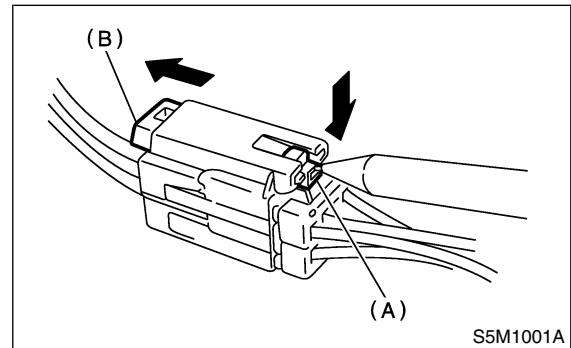
2) If the male connector socket is pushed too hard, slide lock (A) will go past slide lock (A) tabs and connect.



4. AIRBAG MAIN HARNESS TO BODY HARNESS CONNECTOR S002659A1611

1) How to disconnect:

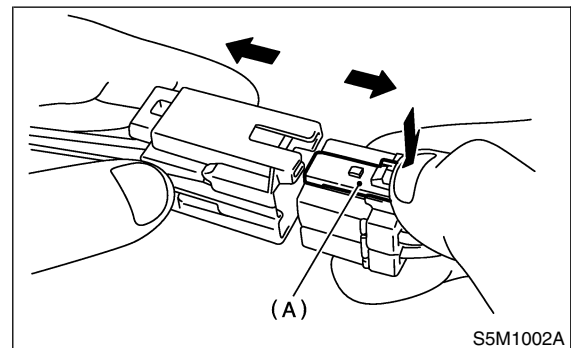
(1) Push lock arm (A) to let green lever (B) pop out.



(2) Then separate the connector halves by pulling them apart while pressing lever (A).

CAUTION:

When pulling, be sure to hold onto the connector and not the wire.



2) How to connect:

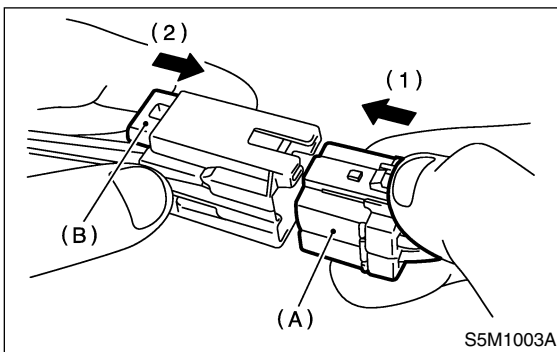
(1) Insert the (A) connector half into the other until a “click” is heard.

(2) Push in green lever (B) until a “click” is heard.

This engages the double lock mechanism.

CAUTION:

Be sure to insert the connector in until it locks. Then pull on it gently to make sure that it is locked.



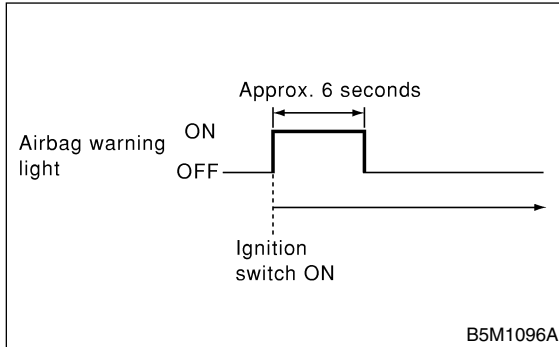
AIRBAG WARNING LIGHT ILLUMINATION PATTERN

Airbag System (DIAGNOSTICS)

6. Airbag Warning Light Illumination Pattern S002629

A: INSPECTION S002629A10

Keep the ignition switch ON, and confirm that the airbag warning light remains off approximately 6 seconds after being turned on.



8. Inspection Mode S002510

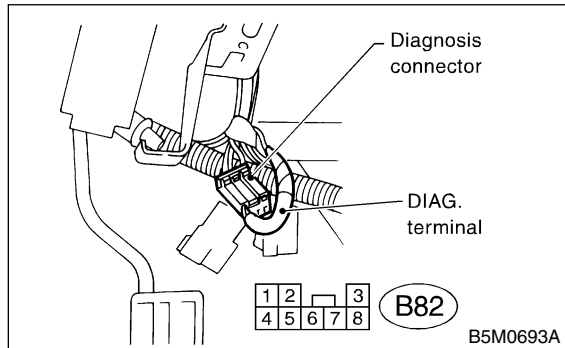
A: OPERATION S002510A16

Recreate the circumstance by referring to the conditions described in the checklist.

9. Clear Memory Mode S002513

A: OPERATION S002513A16

- 1) Turn the ignition switch ON.
- 2) Connect the diagnosis terminal to diagnosis connector terminal No. 2 in the driver's seat lower cover area.



- 3) While the warning light flashes, connect another diagnosis terminal to diagnosis connector terminal No.3.
- 4) Once the memory is erased, the warning light returns to the normal flash rate (0.6 sec on). The failure to recover the normal flash rate indicates that trouble parts still remain. Having repaired such parts, erase the memory again and confirm that the normal flash rate has returned.
- 5) When the memory has been cleared, disconnect the diagnosis terminal from the diagnosis connector.
- 6) Wind tape around the diagnosis terminal and return it to its original position.

10. Airbag Warning Light Failure S002681

A: AIRBAG WARNING LIGHT REMAINS ON. S002681E28

DIAGNOSIS:

- Airbag warning light is faulty.
- Airbag control module to airbag warning light circuit is shorted or open.
- Grounding circuit is faulty.
- Airbag control module is faulty.
- (AB1) and (B31) are not connected properly.
- (AB6) is not connected properly to airbag control module.

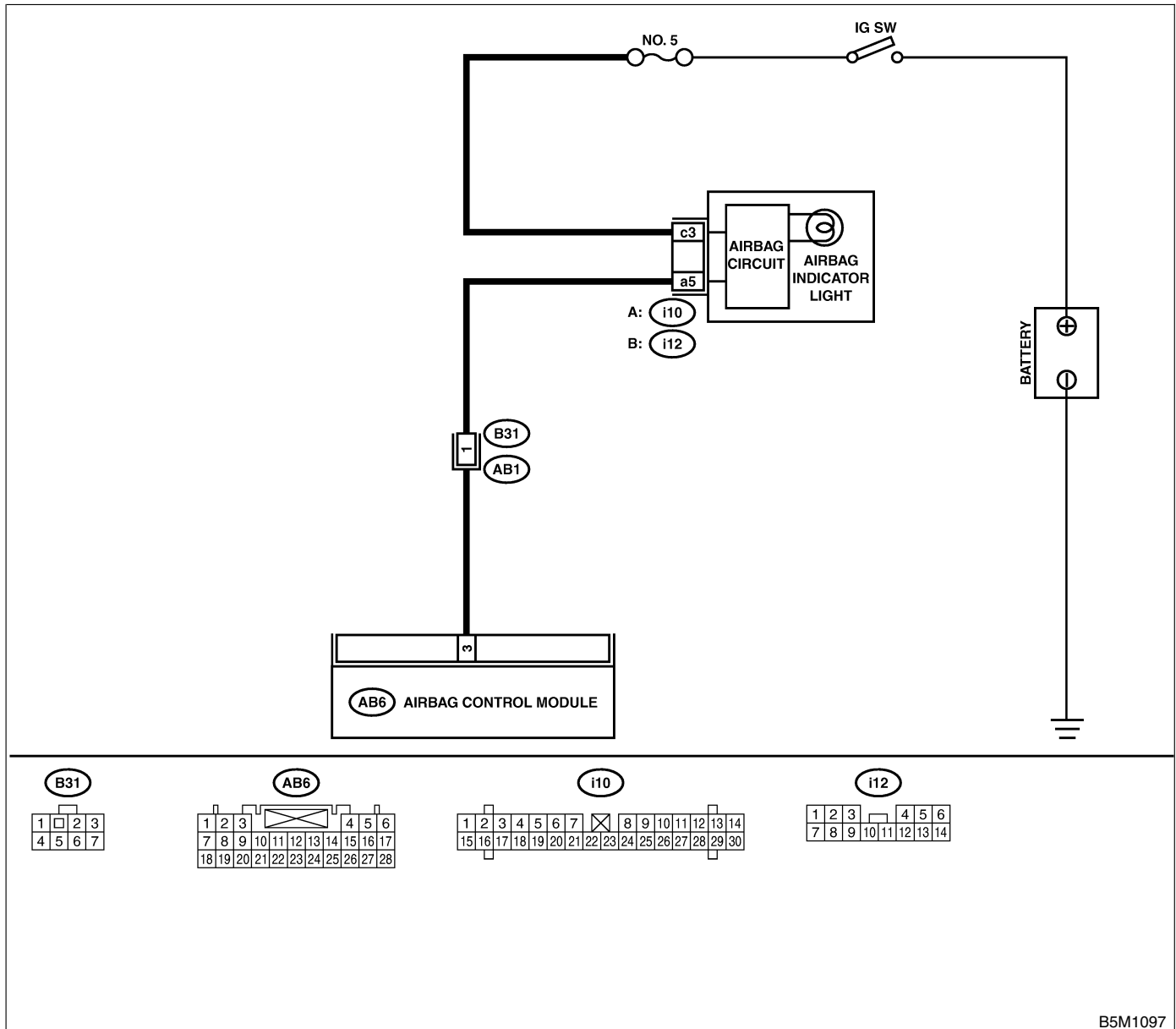
CAUTION:

- Before diagnosing the airbag system, be sure to turn the ignition switch OFF, disconnect the ground cable from the battery, and wait more than 20 seconds before starting to work.
- Before replacing the airbag module, roll connector, control module, and sensor, reconnect each part and confirm that the warning light operates properly.
- When inspecting the airbag main harness, disconnect the airbag module connector of the driver and passenger seats for safety reasons.

AIRBAG WARNING LIGHT FAILURE

Airbag System (DIAGNOSTICS)

WIRING DIAGRAM:



| No. | Step | Check | Yes | No |
|-----|--|---|---|---------------|
| 1 | CHECK POOR CONTACT IN CONNECTORS (AB1) AND (B31). 1) Turn the ignition switch OFF, disconnect the battery ground cable, and wait more than 20 seconds. 2) Remove the instrument panel lower cover. 3) Confirm that firm contact is secured between connectors (AB1) and (B31). | Is the poor contact in double lock of connectors (AB1) and (B31)? | Repair the body harness or replace airbag main harness.<Ref. to AB-16, Main Harness.> | Go to step 2. |

AIRBAG WARNING LIGHT FAILURE

Airbag System (DIAGNOSTICS)

| No. | Step | Check | Yes | No |
|-----|---|--|---|--|
| 2 | <p>CHECK AIRBAG WARNING LIGHT. 1) Turn the ignition switch OFF, disconnect the battery ground cable, and wait more than 20 seconds. 2) Connect the connector (1A) in test harness A to the body harness connector (B31). 3) Connect the battery ground cable and turn the ignition switch ON. 4) Connect two connectors, (3A) and (4A) in test harness A.</p> | Is the airbag warning light turned off? | Go to step 4. | Go to step 3. |
| 3 | <p>CHECK BODY HARNESS. Check the body harness. NOTE: After problem has been eliminated, disconnect connectors (3A) and (4A).</p> | Is the anything unusual to body harness? | Repair the body harness. | Replace combination meter printed circuit. <Ref. to IDI-11, Combination Meter Assembly.> |
| 4 | <p>CHECK POOR CONTACT. Confirm that firm contact is secured between the air bag control module and the connector (AB6). <Ref. to AB-18, Airbag Control Module.></p> | Is the poor contact in connector (AB6)? | Replace airbag main harness. <Ref. to AB-16, Main Harness.> or Replace the airbag control module. <Ref. to AB-18, Airbag Control Module.> | Go to step 5. |
| 5 | <p>CHECK AIRBAG MAIN HARNESS. 1) Turn the ignition switch OFF, disconnect the battery ground cable, and wait more than 20 seconds. 2) Connect the connector (AB1) to (B31). 3) Disconnect connectors (AB3) and (AB8). 4) Pull out the two stopper pins and lower the glove box and disconnect connectors (AB10) and (AB9). 5) Disconnect the connector (AB6) from the airbag control module, and connect the connector (11) in test harness I or I2. <Ref. to AB-18, Airbag Control Module.> 6) Connect the battery ground cable and turn the ignition switch ON. 7) Connect connectors (4I) and (5I) in test harness I2. NOTE: After problem has been eliminated, disconnect connectors (4I) and (5I).</p> | Is the airbag warning light turned off? | Go to step 6. | Replace airbag main harness. <Ref. to AB-16, Main Harness.> |
| 6 | <p>CHECK GROUNDING CIRCUIT. 1) Turn the ignition switch OFF, disconnect the battery ground cable, and wait more than 20 seconds. 2) Disconnect the connector (AB1) from the body harness connector (B31). 3) Connect the connector (1A) in test harness A to body harness connector (B31). 4) Measure the resistance between connector (5A) in test harness A and the chassis ground. Connector & terminal (5A) No. 17 — Chassis ground: (5A) No. 18 — Chassis ground:</p> | Is the resistance less than 10 Ω? | Go to step 7. | Repair body-grounding circuit. |

AIRBAG WARNING LIGHT FAILURE

Airbag System (DIAGNOSTICS)

| No. | Step | Check | Yes | No |
|-----|--|---|--|---|
| 7 | CHECK AIRBAG MAIN HARNESS. 1) Connect the connector (AB1) to (B31). 2) Disconnect the connector (AB6) from the airbag control module, and connect the connector (11) in test harness I2. <Ref. to AB-18, Airbag Control Module.> 3) Measure the resistance between connector (21) in test harness I2 and the chassis ground. Connector & terminal <i>(21) No. 9 — Chassis ground:</i> <i>(21) No. 10 — Chassis ground:</i> | Is the resistance less than 10 Ω ? | Replace the airbag control module. <Ref. to AB-18, Airbag Control Module.> | Replace airbag main harness. <Ref. to AB-16, Main Harness.> |

AIRBAG WARNING LIGHT FAILURE

Airbag System (DIAGNOSTICS)

| No. | Step | Check | Yes | No |
|-----|--|---|--|---|
| 1 | CHECK COMBINATION METER. Turn the ignition switch ON, and confirm that warning lights equipped in the combination meter are turned on. | Do warning lights not for the airbag turn on? | Go to step 2. | Repair combination meter power supply. <Ref. to IDI-4, Combination Meter System.> |
| 2 | CHECK FUSE NO. 5 (IN MAIN FUSE BOX). Remove fuse No. 5 and perform visual inspection. | Is fuse No. 5 (in main fuse box) blown? | Replace fuse No. 5. If fuse No. 5 blows again, go to step 3. | Go to step 3. |
| 3 | CHECK AIRBAG WARNING LIGHT CIRCUIT (IN COMBINATION METER). 1) Turn the ignition switch OFF, disconnect the battery ground cable, and wait more than 20 seconds. 2) Disconnect the connector (AB1) from (B31). 3) Connect the battery ground cable and turn the ignition switch ON. | Is the airbag warning light turned on? | Go to step 4. | Replace airbag warning light bulb or combination meter printed circuit. <Ref. to IDI-11, Combination Meter Assembly.> |
| 4 | CHECK AIRBAG MAIN HARNESS. 1) Turn the ignition switch OFF, disconnect the battery ground cable, and wait more than 20 seconds. 2) Connect the connector (AB1) to (B31). 3) Disconnect the connector (AB6) from the airbag control module. <Ref. to AB-18, Airbag Control Module.> 4) Connect the battery ground cable and turn the ignition switch ON. | Is the airbag warning light turned on? | Replace the airbag control module. <Ref. to AB-18, Airbag Control Module.> | Replace airbag main harness. <Ref. to AB-16, Main Harness.> |

LIST OF DIAGNOSTIC TROUBLE CODE

Airbag System (DIAGNOSTICS)

11. List of Diagnostic Trouble Code

S002511

A: LIST S002511A12

| Trouble code/ Contents of troubles | Memory function | Contents of diagnosis | Index No. |
|---------------------------------------|-----------------|---|---|
| 11 | Provided. | <ul style="list-style-type: none"> ● Airbag main harness circuit is open, shorted or shorted to ground. ● Airbag module harness (driver) circuit is open, shorted or shorted to ground. ● Roll connector circuit is open, shorted or shorted to ground. ● Airbag control module is faulty. ● Driver's airbag module is faulty. | <Ref. to AB-33, TROUBLE CODE 11, Diagnostic Chart with Trouble Code.> |
| 12 | Provided. | <ul style="list-style-type: none"> ● Airbag main harness circuit is open, shorted or shorted to ground. ● Airbag module harness (passenger) circuit is open, shorted or shorted to ground. ● Airbag control module is faulty. ● Passenger's airbag module is faulty. | <Ref. to AB-36, TROUBLE CODE 12, Diagnostic Chart with Trouble Code.> |
| 15 | Provided. | <ul style="list-style-type: none"> ● Airbag main harness circuit (driver) is shorted to power supply. ● Airbag module harness (driver) is shorted to power supply. ● Roll connector is shorted to power supply. ● Airbag control module is faulty. ● Driver's airbag module is faulty. | <Ref. to AB-38, TROUBLE CODE 15, Diagnostic Chart with Trouble Code.> |
| 16 | Provided. | <ul style="list-style-type: none"> ● Airbag main harness circuit (passenger) is shorted to power supply. ● Airbag module harness (passenger) is shorted to power supply. ● Airbag control module is faulty. ● Passenger's airbag module is faulty. | <Ref. to AB-40, TROUBLE CODE 16, Diagnostic Chart with Trouble Code.> |
| 21 | Provided. | Airbag control module is faulty. | <Ref. to AB-41, TROUBLE CODE 21, Diagnostic Chart with Trouble Code.> |
| 22 | Provided. | Front airbag module and seat belt pretensioner (LH/RH) are inflated. | <Ref. to AB-42, TROUBLE CODE 22, Diagnostic Chart with Trouble Code.> |
| 23 | Not provided. | (AB6), (AB17) and (AB18) are not connected properly to airbag control module. | <Ref. to AB-43, TROUBLE CODE 23, Diagnostic Chart with Trouble Code.> |
| 24 | Not provided. | <ul style="list-style-type: none"> ● Airbag control module is faulty. ● Airbag main harness circuit is open. ● Fuse No. 11 (in joint box) is blown. ● Body harness circuit is open. | <Ref. to AB-44, TROUBLE CODE 24, Diagnostic Chart with Trouble Code.> |
| 25 | Provided. | <ul style="list-style-type: none"> ● Airbag control module is faulty. ● Airbag main harness circuit is open. ● Fuse No. 6 (in joint box) is blown. ● Body harness circuit is open. | <Ref. to AB-46, TROUBLE CODE 25, Diagnostic Chart with Trouble Code.> |
| 31 | Provided. | <ul style="list-style-type: none"> ● Front sub-sensor harness (RH) circuit is shorted. ● Front sub-sensor harness (RH) circuit is open. ● Front sub-sensor (RH) is faulty. ● Airbag control module is faulty. | <Ref. to AB-48, TROUBLE CODE 31, Diagnostic Chart with Trouble Code.> |

LIST OF DIAGNOSTIC TROUBLE CODE

Airbag System (DIAGNOSTICS)

| Trouble code/ Contents of troubles | Memory function | Contents of diagnosis | Index No. |
|---------------------------------------|-----------------|--|--|
| 32 | Provided. | <ul style="list-style-type: none"> ● Front sub-sensor harness (LH) circuit is shorted. ● Front sub-sensor harness (LH) circuit is open. ● Front sub-sensor (LH) is faulty. ● Airbag control module is faulty. | <Ref. to AB-51, TROUBLE CODE 32, Diagnostic Chart with Trouble Code.> |
| 41 | Provided. | <ul style="list-style-type: none"> ● Side airbag harness (RH) is faulty. ● Side airbag module (RH) is faulty. ● Airbag control module is faulty. | <Ref. to AB-54, TROUBLE CODE 41, Diagnostic Chart with Trouble Code.> |
| 42 | Provided. | <ul style="list-style-type: none"> ● Side airbag harness (LH) is faulty. ● Side airbag module (LH) is faulty. ● Airbag control module is faulty. | <Ref. to AB-56, TROUBLE CODE 42, Diagnostic Chart with Trouble Code.> |
| 45 | Provided. | <ul style="list-style-type: none"> ● Side airbag harness (RH) is shorted to power supply. ● Airbag control module is faulty. | <Ref. to AB-58, TROUBLE CODE 45, Diagnostic Chart with Trouble Code.> |
| 46 | Provided. | <ul style="list-style-type: none"> ● Side airbag harness (LH) is shorted to power supply. ● Airbag control module is faulty. | <Ref. to AB-60, TROUBLE CODE 46, Diagnostic Chart with Trouble Code.> |
| 51 | Provided. | <ul style="list-style-type: none"> ● Side airbag sensor (RH) is faulty. ● Side airbag harness (RH) is faulty. ● Airbag control module is faulty. | <Ref. to AB-62, TROUBLE CODE 51, Diagnostic Chart with Trouble Code.> |
| 52 | Provided. | <ul style="list-style-type: none"> ● Side airbag sensor (LH) is faulty. ● Side airbag harness (LH) is faulty. ● Airbag control module is faulty. | <Ref. to AB-64, TROUBLE CODE 52, Diagnostic Chart with Trouble Code.> |
| 53 | Provided. | Side airbag sensor (RH) is faulty. | <Ref. to AB-65, TROUBLE CODE 53, Diagnostic Chart with Trouble Code.> |
| 54 | Provided. | Side airbag sensor (LH) is faulty. | <Ref. to AB-65, TROUBLE CODE 54, Diagnostic Chart with Trouble Code.> |
| 55 | Provided. | Side airbag module is inflated. | <Ref. to AB-65, TROUBLE CODE 55, Diagnostic Chart with Trouble Code.> |
| 61 | Provided. | <ul style="list-style-type: none"> ● Seat belt pretensioner (RH) circuit is open, shorted or shorted to ground. ● Airbag control module is faulty. ● Pretensioner is faulty. ● Pretensioner harness is faulty. | <Ref. to AB-66, TROUBLE CODE 61, Diagnostic Chart with Trouble Code.> |
| 62 | Provided. | <ul style="list-style-type: none"> ● Seat belt pretensioner (LH) circuit is open, shorted or shorted to ground. ● Airbag control module is faulty. ● Pretensioner is faulty. ● Pretensioner harness is faulty. | <Ref. to AB-68, TROUBLE CODE 62, Diagnostic Chart with Trouble Code.> |
| 65 | Provided. | <ul style="list-style-type: none"> ● Seat belt pretensioner (RH) circuit is shorted to power supply. ● Pretensioner is faulty. ● Pretensioner harness is faulty. ● Airbag control module is faulty. | <Ref. to AB-70, TROUBLE CODE 65, Diagnostic Chart with Trouble Code.> |

LIST OF DIAGNOSTIC TROUBLE CODE

Airbag System (DIAGNOSTICS)

| Trouble code/ Contents of troubles | Memory function | Contents of diagnosis | Index No. |
|---------------------------------------|-----------------|---|---|
| 66 | Provided. | Seat belt pretensioner (LH) circuit is shorted to power supply. <ul style="list-style-type: none">● Pretensioner is faulty.● Pretensioner harness is faulty.● Airbag control module is faulty. | <Ref. to AB-72, TROUBLE CODE 66, Diagnostic Chart with Trouble Code.> |
| 72 | Provided. | <ul style="list-style-type: none">● Airbag main harness circuit is open, shorted or shorted to ground.● Airbag module harness (passenger) circuit is open, shorted or shorted to ground.● Airbag control module is faulty.● Passenger's airbag module is faulty. | <Ref. to AB-74, TROUBLE CODE 72, Diagnostic Chart with Trouble Code.> |
| 76 | Provided. | <ul style="list-style-type: none">● Airbag main harness circuit (passenger) is shorted to power supply.● Airbag module harness (passenger) is shorted to power supply.● Airbag control module is faulty.● Passenger's airbag module is faulty. | <Ref. to AB-76, TROUBLE CODE 76, Diagnostic Chart with Trouble Code.> |

12. Diagnostic Chart with Trouble Code S002630

A: TROUBLE CODE 11 S002630C38

DIAGNOSIS:

- Airbag main harness circuit is open, shorted or shorted to ground.
- Airbag module harness (Driver) circuit is open, shorted or shorted to ground.
- Roll connector circuit is open, shorted or shorted to ground.
- Driver's airbag module is faulty.
- Airbag control module is faulty.

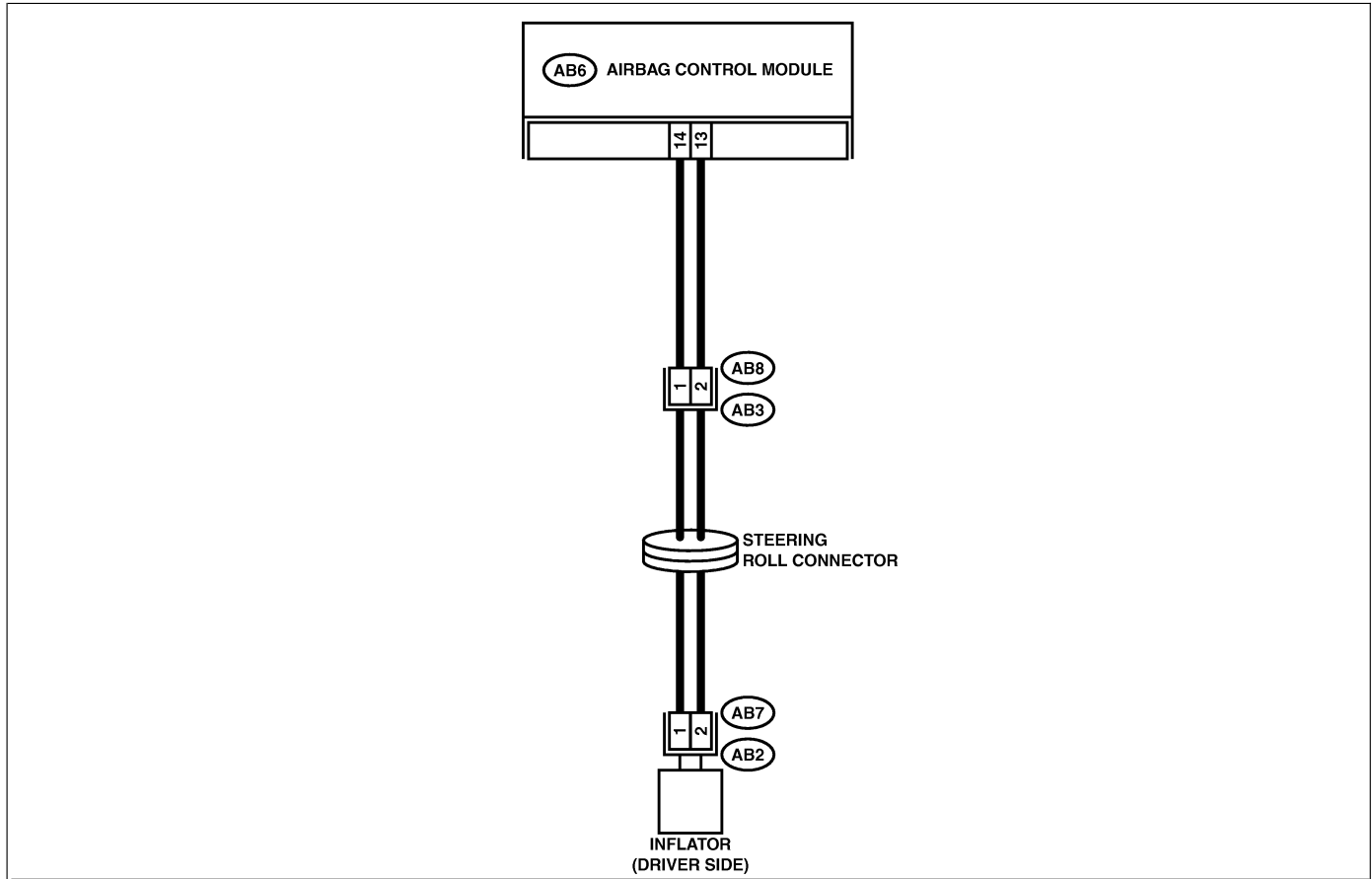
CAUTION:

- Before diagnosing the airbag system, be sure to turn the ignition switch OFF, disconnect the ground cable from the battery, and wait more than 20 seconds before starting to work.
- Before replacing the airbag module, roll controller, control module, and sensor, reconnect each part and confirm that the warning light operates properly.
- When inspecting the airbag main harness, disconnect the driver's airbag module and passenger's airbag module connectors for safety reasons.

DIAGNOSTIC CHART WITH TROUBLE CODE

Airbag System (DIAGNOSTICS)

WIRING DIAGRAM:

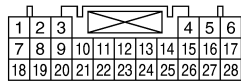


AB7 (YELLOW)

AB8 (YELLOW)



AB6 (YELLOW)



B5M1098

| No. | Step | Check | Yes | No |
|-----|---|---|--|---------------|
| 1 | <p>CHECK DRIVER'S AIRBAG MODULE.</p> <p>1) Turn the ignition switch OFF, disconnect battery ground cable, and wait more than 20 seconds.</p> <p>2) Remove the driver's airbag module. <Ref. to AB-13, Driver's Airbag Module.></p> <p>3) Connect the connector (1F) in test harness F to connector (AB7).</p> <p>4) Connect airbag resistor to connector (3F) in test harness F.</p> <p>5) Connect the battery ground cable and turn the ignition switch ON.</p> | Does the airbag warning light operate properly? | Replace the driver's airbag module. <Ref. to AB-13, Driver's Airbag Module.> | Go to step 2. |

DIAGNOSTIC CHART WITH TROUBLE CODE

Airbag System (DIAGNOSTICS)

| No. | Step | Check | Yes | No |
|-----|--|---|--|---|
| 2 | <p>CHECK ROLL CONNECTOR.</p> <p>1) Turn the ignition switch OFF, disconnect the battery ground cable, and wait more than 20 second.</p> <p>2) Disconnect the test harness from the connector (AB7).</p> <p>3) Remove the lower cover panel, disconnect the connector (AB3) from (AB8) and connect the connector (1F) in test harness F to connector (AB8).</p> <p>4) Connect the airbag resistor to connector (3F) in test harness F.</p> <p>5) Connect the battery ground cable and turn the ignition switch ON.</p> | Does the airbag warning light operate properly? | Replace the roll connector. <Ref. to AB-20, Roll Connector.> | Go to step 3. |
| 3 | <p>CHECK AIRBAG MAIN HARNESS.</p> <p>1) Turn the ignition switch OFF, disconnect the ground cable, and wait more than 20 seconds.</p> <p>2) Disconnect the airbag resistor from the connector (3F) in test harness F.</p> <p>3) Remove the glove box, <Ref. to AB-14, Passenger's Airbag Module.> and disconnect connectors (AB10) and (AB9).</p> <p>4) Disconnect the connector (AB6) from the airbag control module, and connect the connector (1I) in test harness I2. <Ref. to AB-18, Airbag Control Module.></p> <p>5) Measure the resistance between connector (2I) in test harness I2 and the connector (3F) in test harness F.</p> <p>Connector & terminal</p> <p>(2I) No. 1 — (3F) No. 4:</p> <p>(2I) No. 4 — (3F) No. 3:</p> | Is the resistance less than 10 Ω? | Go to step 4. | Replace airbag main harness. <Ref. to AB-16, Main Harness.> |
| 4 | <p>CHECK AIRBAG MAIN HARNESS.</p> <p>Measure the resistance of the connector (2I) in test harness I2.</p> <p>Connector & terminal</p> <p>(2I) No. 1 — No. 4:</p> <p>(2I) No. 4 — Chassis ground:</p> <p>(2I) No. 1 — Chassis ground:</p> | Is the resistance more than 1 MΩ? | Replace the airbag control module. <Ref. to AB-18, Airbag Control Module.> | Replace airbag main harness. <Ref. to AB-16, Main Harness.> |

DIAGNOSTIC CHART WITH TROUBLE CODE

Airbag System (DIAGNOSTICS)

B: TROUBLE CODE 12 S002630C40

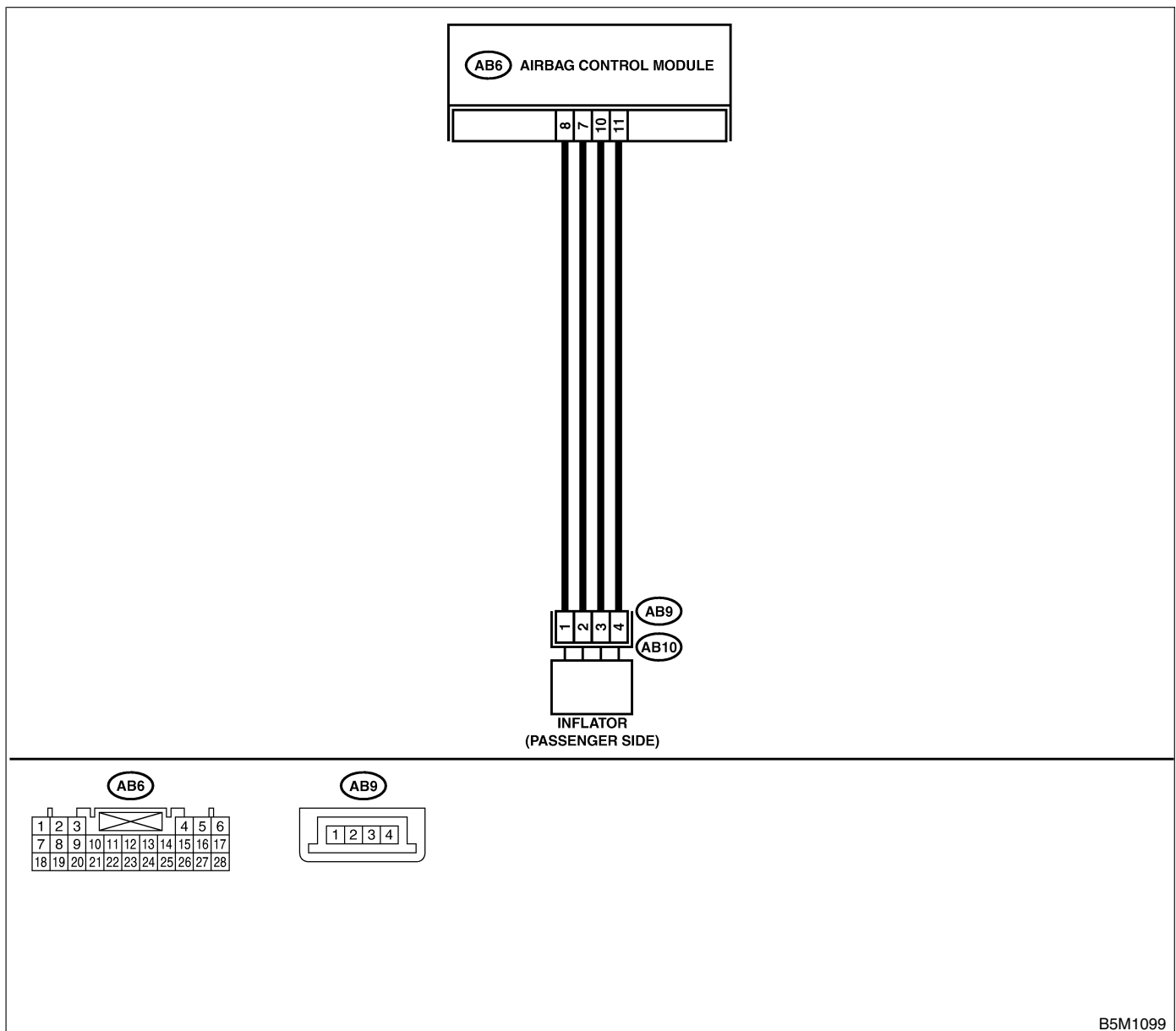
DIAGNOSIS:

- Airbag main harness circuit is open, shorted or shorted to ground.
- Airbag module harness (Passenger) circuit is open, shorted or shorted to ground.
- Passenger's airbag module is faulty.
- Airbag control module is faulty.

CAUTION:

- Before diagnosing the airbag system, be sure to turn the ignition switch OFF, disconnect the ground cable from the battery, and wait more than 20 seconds before starting to work.
- Before replacing the airbag module, roll connector, control module, and sensor, reconnect each part and confirm that the warning light operates properly.
- When inspecting the airbag main harness, disconnect the driver's airbag module and passenger's airbag module connectors for safety reasons.

WIRING DIAGRAM:



B5M1099

DIAGNOSTIC CHART WITH TROUBLE CODE

Airbag System (DIAGNOSTICS)

| No. | Step | Check | Yes | No |
|-----|---|---|--|---|
| 1 | <p>CHECK PASSENGER'S AIRBAG MODULE.</p> <p>1) Turn the ignition switch OFF, disconnect the battery ground cable, and wait more than 20 seconds.</p> <p>2) Pull out the two stopper pins and lower the glove box.</p> <p>3) Disconnect the connector (AB10) from (AB9).</p> <p>4) Connect the connector (1K) in test harness K to connector (AB9).</p> <p>5) Connect two airbag resistors to connectors (3K) and (4K) in test harness K.</p> <p>6) Connect the battery ground cable and turn the ignition switch ON.</p> | Does the airbag warning light operate properly? | Replace the passenger's airbag module. <Ref. to AB-14, Passenger's Airbag Module.> | Go to step 2. |
| 2 | <p>CHECK AIRBAG MAIN HARNESS.</p> <p>1) Turn the ignition switch OFF, disconnect the battery ground cable, and wait more than 20 seconds.</p> <p>2) Disconnect two airbag resistors from the connectors (3K) and (4K) in test harness K.</p> <p>3) Remove the lower cover and disconnect the connector (AB3) from (AB8).</p> <p>4) Disconnect the connector (AB6) from the airbag control module, and connect the connector (1I) in test harness I2. <Ref. to AB-18, Airbag Control Module.></p> <p>5) Measure the resistance between connector (2I) in test harness I2 and the connector (3K) in test harness K.</p> <p>Connector & terminal <i>(2I) No. 2 — (3K) No. 4:</i> <i>(2I) No. 5 — (3K) No. 3:</i></p> | Is the resistance less than 10 Ω? | Go to step 3. | Replace airbag main harness. <Ref. to AB-16, Main Harness.> |
| 3 | <p>CHECK AIRBAG MAIN HARNESS.</p> <p>Measure the resistance of the connector (2I) in test harness I2.</p> <p>Connector & terminal <i>(2I) No. 2 — No. 5:</i> <i>(2I) No. 2 — Chassis ground:</i> <i>(2I) No. 5 — Chassis ground:</i></p> | Is the resistance more than 1 MΩ? | Replace the airbag control module. <Ref. to AB-18, Airbag Control Module.> | Replace airbag main harness. <Ref. to AB-16, Main Harness.> |

DIAGNOSTIC CHART WITH TROUBLE CODE

Airbag System (DIAGNOSTICS)

C: TROUBLE CODE 15 S002630C41

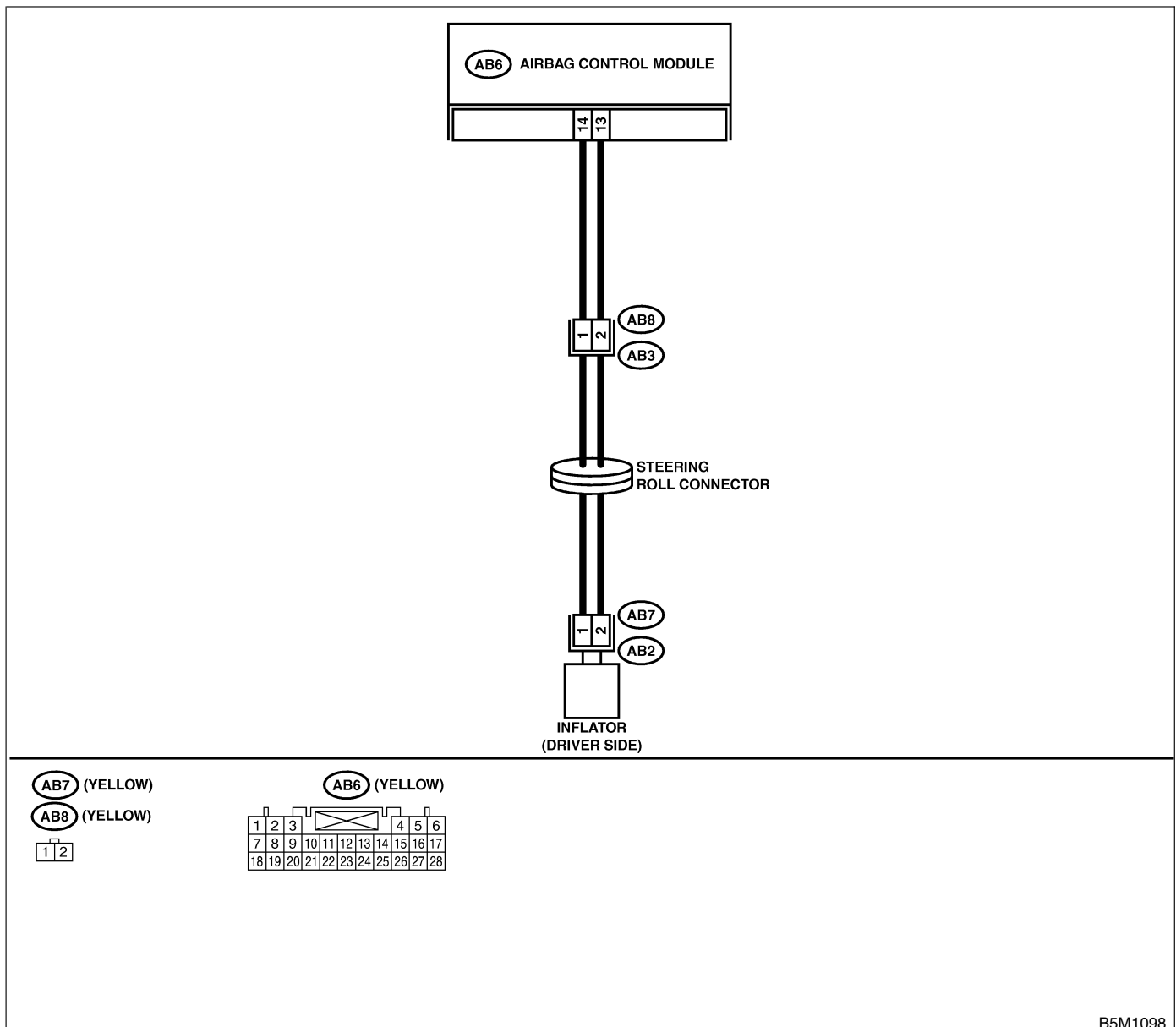
DIAGNOSIS:

- Airbag main harness circuit (Driver) is shorted to the power supply.
- Airbag module harness (Driver) is shorted to the power supply.
- Roll connector is shorted to the power supply.
- Driver's airbag module is faulty.
- Airbag control module is faulty.

CAUTION:

- Before diagnosing the airbag system, be sure to turn the ignition switch OFF, disconnect the ground cable from the battery, and wait more than 20 seconds before starting to work.
- Before replacing the airbag module, roll connector, control module, and sensor, reconnect each part and confirm that the warning light operates properly.
- When inspecting the airbag main harness, disconnect the driver's airbag module and passenger's airbag module connectors for safety reasons.

WIRING DIAGRAM:



B5M1098

DIAGNOSTIC CHART WITH TROUBLE CODE

Airbag System (DIAGNOSTICS)

| No. | Step | Check | Yes | No |
|-----|---|---|--|---|
| 1 | <p>CHECK DRIVER'S AIRBAG MODULE.</p> <p>1) Turn the ignition switch OFF, disconnect the battery ground cable, and wait more than 20 seconds.</p> <p>2) Remove the driver's airbag module. <Ref. to AB-13, Driver's Airbag Module.></p> <p>3) Connect the connector (AB7) to connector (1F) in test harness F.</p> <p>4) Connect the airbag resistor to connector (3F) in test harness F.</p> <p>5) Connect the battery ground cable and turn the ignition switch ON.</p> | Does the airbag warning light operate properly? | Replace the driver's airbag module. <Ref. to AB-13, Driver's Airbag Module.> | Go to step 2. |
| 2 | <p>CHECK ROLL CONNECTOR.</p> <p>1) Turn the ignition switch OFF, disconnect the battery ground cable, and wait more than 20 seconds.</p> <p>2) Disconnect the test harness from the connector (AB7).</p> <p>3) Remove the lower cover panel and disconnect the connector (AB3) from (AB8).</p> <p>4) Connect the connector (1F) in test harness F to connector (AB8).</p> <p>5) Connect the airbag resistor to connector (3F) in test harness F.</p> <p>6) Connect the battery ground cable and turn the ignition switch ON.</p> | Does the airbag warning light operate properly? | Replace the roll connector. <Ref. to AB-20, Roll Connector.> | Go to step 3. |
| 3 | <p>CHECK AIRBAG MAIN HARNESS.</p> <p>1) Turn the ignition switch OFF, disconnect the battery ground cable, and wait more than 20 seconds.</p> <p>2) Disconnect the airbag resistor from the connector (3F) in test harness F.</p> <p>3) Pull out the two stopper pins and lower the glove box, and disconnect connectors (AB10) and (AB9).</p> <p>4) Disconnect the connector (AB6) from the airbag control module, and connect the connector (1I) in test harness I2. <Ref. to AB-18, Airbag Control Module.></p> <p>5) Connect the battery ground cable and turn the ignition switch ON. (Engine OFF)</p> <p>6) Measure the voltage between connector (2I) in test harness I2 and the chassis ground.</p> <p>Connector & terminal</p> <p><i>(2I) No. 4 (+) — Chassis ground (-):</i></p> <p><i>(2I) No. 1 (+) — Chassis ground (-):</i></p> | Is the voltage less than 1 V? | Replace the airbag control module. <Ref. to AB-18, Airbag Control Module.> | Replace airbag main harness. <Ref. to AB-16, Main Harness.> |

DIAGNOSTIC CHART WITH TROUBLE CODE

Airbag System (DIAGNOSTICS)

D: TROUBLE CODE 16 S002630C42

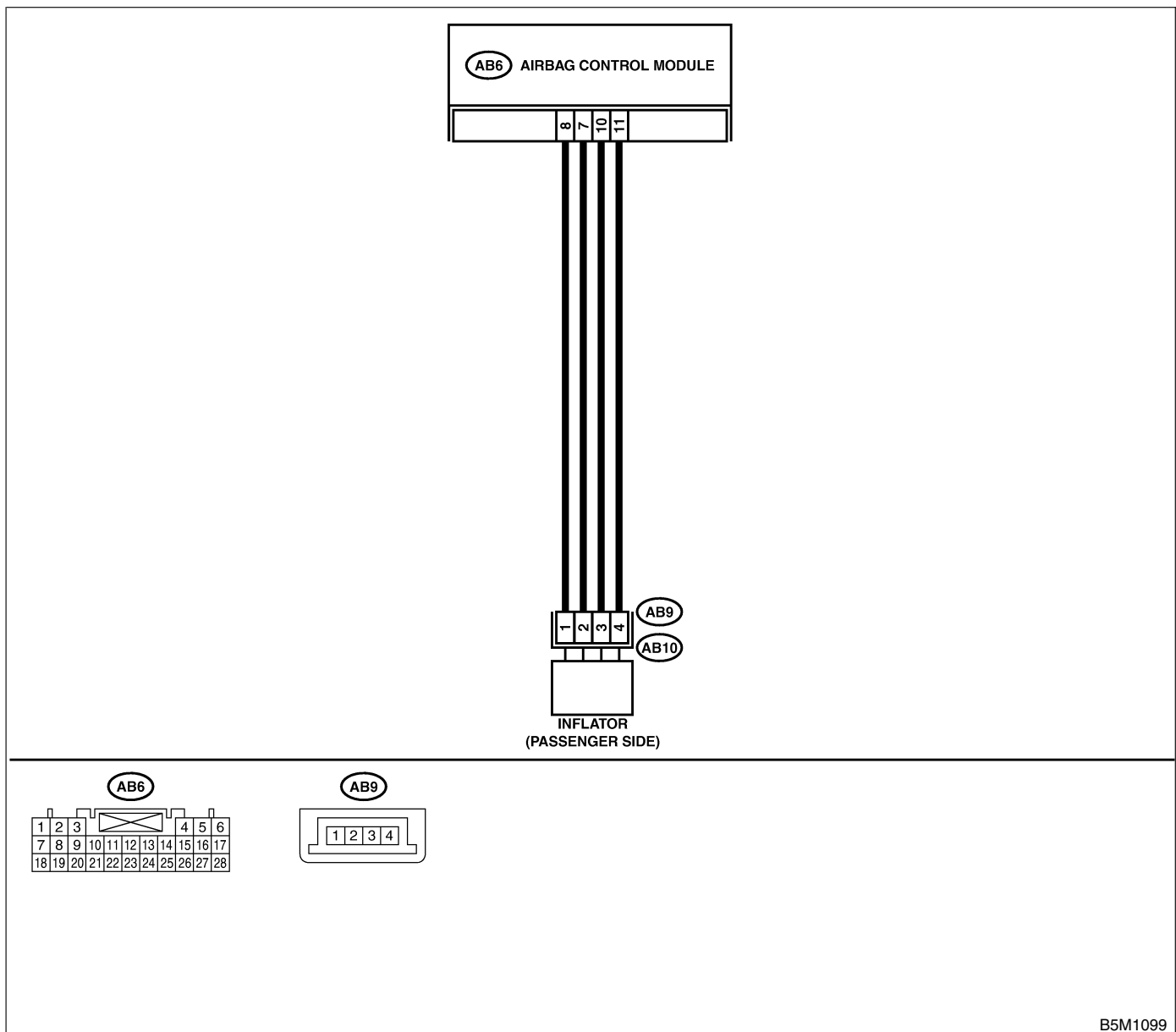
DIAGNOSIS:

- Airbag main harness circuit (Passenger) is shorted to the power supply.
- Airbag module harness (Passenger) is shorted to the power supply.
- Passenger's airbag module is faulty.
- Airbag control module is faulty.

CAUTION:

- Before diagnosing the airbag system, be sure to turn the ignition switch OFF, disconnect the ground cable from the battery, and wait more than 20 seconds before starting to work.
- Before replacing the airbag module, roll connector, control module, and sensor, reconnect each part and confirm that the warning light operates properly.
- When inspecting the airbag main harness, disconnect the driver's airbag module and passenger's airbag module connectors for safety reasons.

WIRING DIAGRAM:



B5M1099

DIAGNOSTIC CHART WITH TROUBLE CODE

Airbag System (DIAGNOSTICS)

| No. | Step | Check | Yes | No |
|-----|---|---|--|---|
| 1 | CHECK PASSENGER'S AIRBAG MODULE. 1) Turn the ignition switch OFF, disconnect the battery ground cable, and wait more than 20 seconds. 2) Pull out the two stopper pins and lower the glove box. 3) Disconnect the connector (AB10) from (AB9) 4) Connect the connector (1K) in test harness K to connector (AB9). 5) Connect two airbag resistors to connectors (3K) and (4K) in test harness K. 6) Connect the battery ground cable and turn the ignition switch ON. | Does the airbag warning light operate properly? | Replace the passenger's airbag module. <Ref. to AB-14, Passenger's Airbag Module.> | Go to step 2. |
| 2 | CHECK AIRBAG MAIN HARNESS. 1) Turn the ignition switch OFF, disconnect the battery ground cable, and wait more than 20 seconds. 2) Disconnect two airbag resistors from the connectors (3K) and (4K) in test harness K. 3) Remove the lower cover and disconnect the connector (AB3) from (AB8). 4) Disconnect the connector (AB6) from the airbag control module, and connect the connector (1I) in test harness I2. <Ref. to AB-18, Airbag Control Module.> 5) Measure the voltage between connector (2I) in test harness I2 and the chassis ground. Connector & terminal (2I) No. 2 (+) — Chassis ground (-): (2I) No. 5 (+) — Chassis ground (-): | Is the voltage less than 1 V? | Replace the airbag control module. <Ref. to AB-18, Airbag Control Module.> | Replace airbag main harness. <Ref. to AB-16, Main Harness.> |

E: TROUBLE CODE 21 S002630C45

DIAGNOSIS:

- Airbag control module is faulty.

CAUTION:

- Before diagnosing the airbag system, be sure to turn the ignition switch OFF, disconnect the ground cable from the battery, and wait more than 20 seconds before starting to work.
- Before replacing the airbag module, roll connector, control module, and sensor, reconnect each part and confirm that the warning light operates properly.

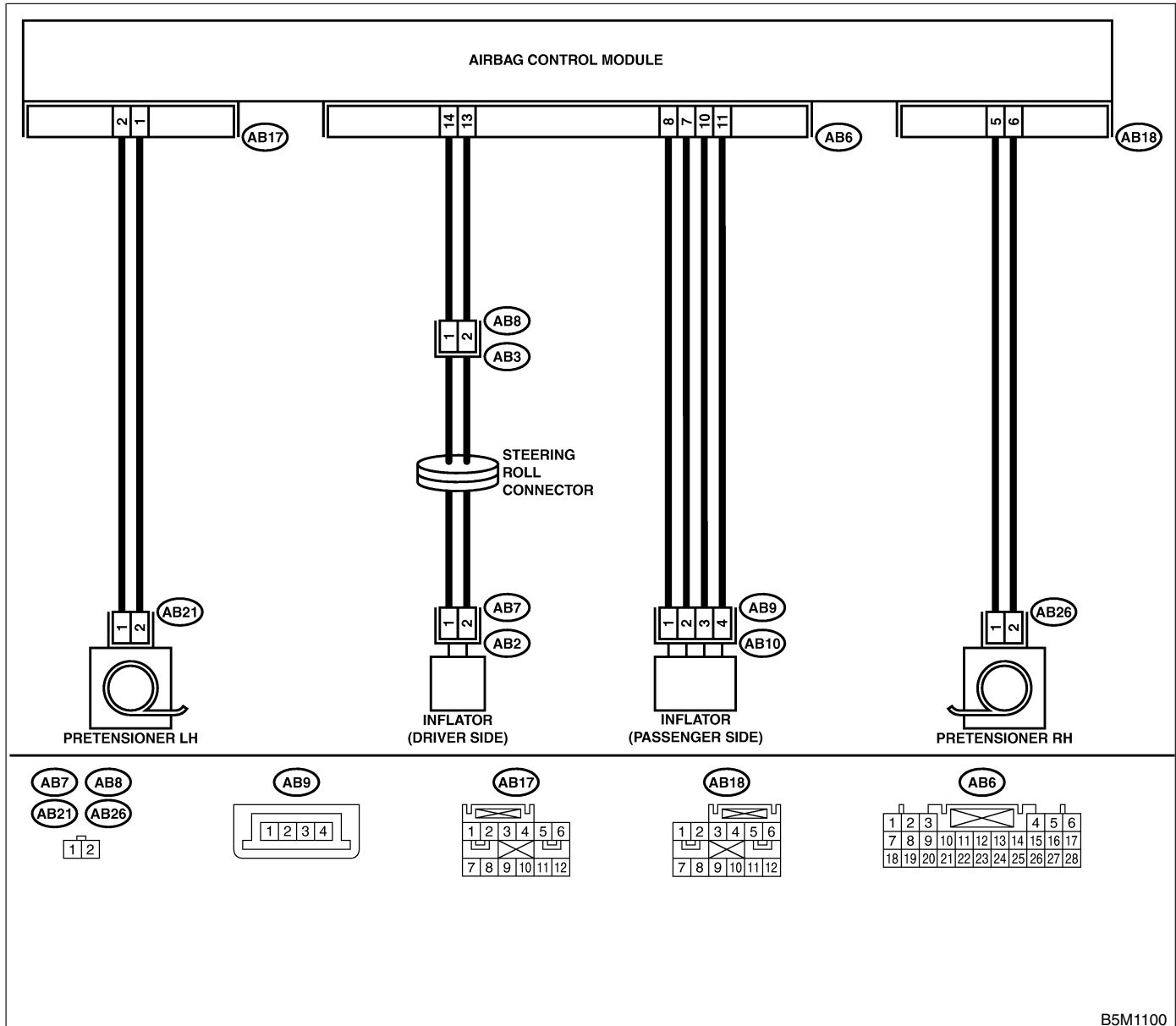
| No. | Step | Check | Yes | No |
|-----|--|--|--|---|
| 1 | CHECK IF TROUBLE CODE 21 IS INDICATED. Read Diagnostic Trouble Code. <Ref. to AB-21, Read Diagnostics Trouble Code.> | Is airbag warning light trouble code 21 indicated? | Replace the airbag control module. <Ref. to AB-18, Airbag Control Module.> | Perform clear memory. <Ref. to AB-23, Clear Memory Mode.> |

DIAGNOSTIC CHART WITH TROUBLE CODE

Airbag System (DIAGNOSTICS)

F: TROUBLE CODE 22 S002630C51

WIRING DIAGRAM:



B5M1100

This code is indicated when the front airbag and the pretensioner are in operation. Once this code is indicated, memory is not erasable; therefore change the following parts.

- Airbag control module. <Ref. to AB-18, Airbag Control Module.>
- Driver's airbag module. <Ref. to AB-13, Driver's Airbag Module.>
- Passenger's airbag module. <Ref. to AB-14, Passenger's Airbag Module.>
- Front sub-sensor of both sides. <Ref. to AB-21, Front Sub Sensor.>
- Front seat belt outer with pretensioner of both sides. <Ref. to SB-7, Front Seat Belt.>

DIAGNOSTIC CHART WITH TROUBLE CODE

Airbag System (DIAGNOSTICS)

G: TROUBLE CODE 23 S002630C56

DIAGNOSIS:

(AB6), (AB17) and (AB18) are not connected properly to airbag control module.

CAUTION:

Before diagnosing the airbag system, be sure to turn the ignition switch OFF, disconnect the ground cable from the battery, and wait more than 20 seconds before starting to work.

| No. | Step | Check | Yes | No |
|-----|--|---|---|--|
| 1 | CHECK POOR CONTACT IN CONNECTORS (AB6), (AB17) and (AB18). 1) Turn the ignition switch OFF, disconnect the battery ground cable, and wait more than 20 seconds. 2) Disconnect the connectors (AB6), (AB17) and (AB18) from the airbag control module. <Ref. to AB-18, Airbag Control Module.> | Check if rust or damage appear on the harness connector and the control module connector. | Replace the airbag control module. <Ref. to AB-18, Airbag Control Module.> Replace airbag main harness. <Ref. to AB-16, Main Harness.> Replace side airbag harness. <Ref. to AB-17, Side Airbag Harness.> | Go to step 2. |
| 2 | CHECK POOR CONTACT IN CONNECTORS (AB6), (AB17) and (AB18). 1) Ensure that connectors are firmly reconnected. 2) Connect the battery ground cable and turn the ignition switch ON. | Does the air bag warning light operate properly? | Finish the diagnosis. | Replace the airbag control module. <Ref. to AB-18, Airbag Control Module.> |

DIAGNOSTIC CHART WITH TROUBLE CODE

Airbag System (DIAGNOSTICS)

H: TROUBLE CODE 24 S002630C61

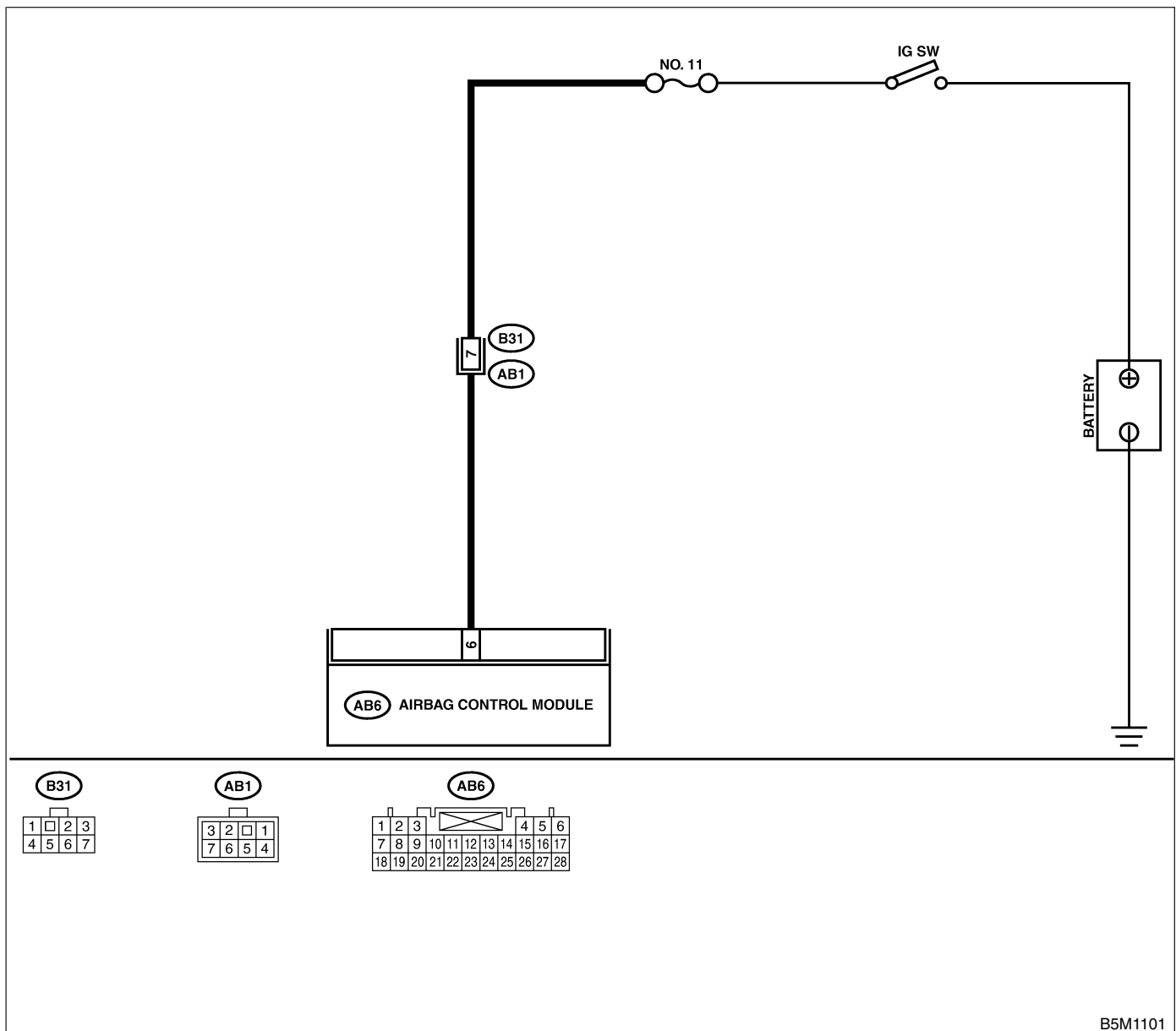
DIAGNOSIS:

- Airbag control module is faulty.
- Airbag main harness circuit is open.
- Fuse No, 11 (in joint box) is blown.
- Body harness circuit is open.

CAUTION:

- Before diagnosing the airbag system, be sure to turn the ignition switch OFF, disconnect the ground cable from the battery, and wait more than 20 seconds before starting to work.
- Before replacing the airbag module, roll connector, control module, and sensor, reconnect each part and confirm that the warning light operates properly.
- When inspecting the airbag main harness, disconnect the driver's airbag module and passenger's airbag module connectors for safety reasons.

WIRING DIAGRAM:



B5M1101

DIAGNOSTIC CHART WITH TROUBLE CODE

Airbag System (DIAGNOSTICS)

| No. | Step | Check | Yes | No |
|-----|--|-----------------------------------|--|---|
| 1 | <p>CHECK AIRBAG CONTROL MODULE.</p> <p>1) Turn the ignition switch OFF, disconnect the battery ground cable, and wait more than 20 seconds.</p> <p>2) Disconnect the connector (AB6) from the airbag control module. <Ref. to AB-18, Airbag Control Module.></p> <p>3) Connect the connector (11) in test harness I2 to connector (AB6).</p> <p>4) Connect the battery ground cable and turn the ignition switch ON.</p> <p>5) Measure the voltage between connector (21) in test harness I2 and chassis ground.</p> <p>Connector & terminal (21) No. 3 (+) — Chassis ground (-):</p> | Is the voltage more than 10 V? | Replace the airbag control module. <Ref. to AB-18, Airbag Control Module.> | Go to step 2. |
| 2 | <p>CHECK AIRBAG MAIN HARNESS.</p> <p>1) While checking control module, turn the ignition switch OFF and disconnect the battery ground cable. Wait more than 20 seconds before operation.</p> <p>2) Disconnect the airbag connector (AB1) from the body harness (B31).</p> <p>3) Connect the connector (2A) in test harness A to connector (AB1).</p> <p>4) Measure the resistance between connector (5A) in test harness A and the connector (21) in test harness I2.</p> <p>Connector & terminal (5A) No. 9 — (21) No. 3:</p> | Is the resistance less than 10 Ω? | Go to step 3. | Replace airbag main harness. <Ref. to AB-16, Main Harness.> |
| 3 | <p>CHECK AIRBAG MAIN HARNESS.</p> <p>Measure the following resistance with the above-mentioned condition maintained.</p> <p>Connector & terminal (5A) No. 9 — Chassis ground: (21) No. 3 — Chassis ground:</p> | Is the resistance more than 1 MΩ? | Go to step 4. | Replace airbag main harness. <Ref. to AB-16, Main Harness.> |
| 4 | <p>CHECK FUSE No. 11 (IN JOINT BOX).</p> <p>1) Confirm that the ignition switch is turned OFF.</p> <p>2) Remove fuse No. 11 (in joint box) and perform visual inspection.</p> | Is fuse No. 11 blown? | Replace fuse No. 11. If fuse No. 11 blows again, repair the body harness. | Repair the body harness. |

DIAGNOSTIC CHART WITH TROUBLE CODE

Airbag System (DIAGNOSTICS)

I: TROUBLE CODE 25 S002630C66

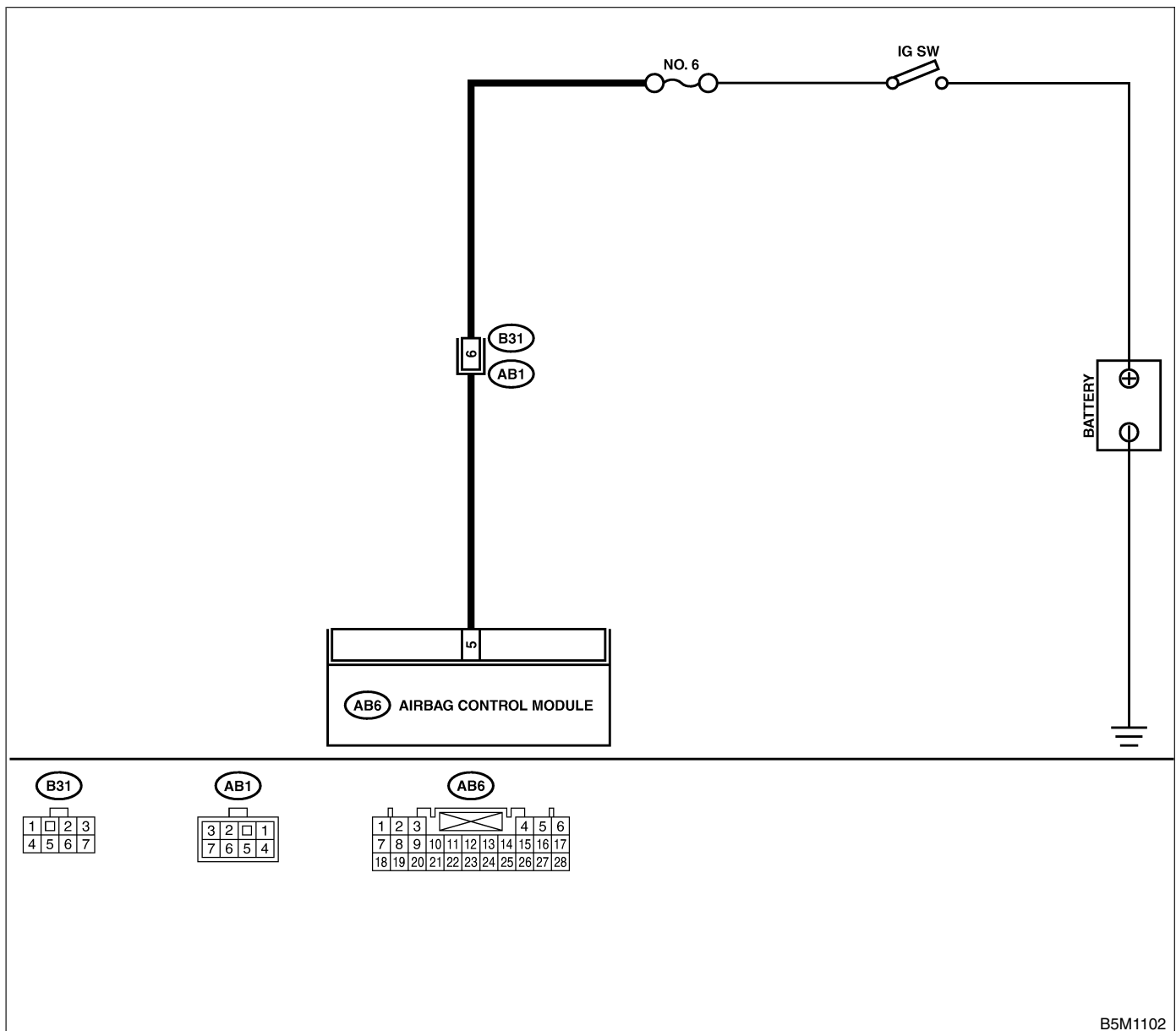
DIAGNOSIS:

- Airbag control module is faulty.
- Airbag main harness circuit is open.
- Fuse No. 6 (in joint box) is blown.
- Body harness circuit is open.

CAUTION:

- Before diagnosing the airbag system, be sure to turn the ignition switch OFF, disconnect the ground cable from the battery, and wait more than 20 seconds before starting to work.
- Before replacing the airbag module, roll connector, control module, and sensor, reconnect each part and confirm that the warning light operates properly.
- When inspecting the airbag main harness, disconnect the driver's airbag module and passenger's airbag module connectors for safety reasons.

WIRING DIAGRAM:



B5M1102

DIAGNOSTIC CHART WITH TROUBLE CODE

Airbag System (DIAGNOSTICS)

| No. | Step | Check | Yes | No |
|-----|---|-----------------------------------|--|---|
| 1 | <p>CHECK AIRBAG CONTROL MODULE.</p> <p>1) Turn the ignition switch OFF, disconnect the battery ground cable, and wait more than 20 seconds.</p> <p>2) Disconnect the connector (AB6) from airbag control module. <Ref. to AB-18, Airbag Control Module.></p> <p>3) Connect the connector (11) in test harness I2 to connector (AB6).</p> <p>4) Connect the battery ground cable, and turn the ignition switch ON.</p> <p>5) Measure the voltage between the connector (21) in test harness I2 and the chassis ground.</p> <p>Connector & terminal (21) No. 6 (+) — Chassis ground (-):</p> | Is the voltage more than 10 V? | Replace the airbag control module. <Ref. to AB-18, Airbag Control Module.> | Go to step 2. |
| 2 | <p>CHECK AIRBAG MAIN HARNESS.</p> <p>1) While checking control module, turn the ignition switch OFF and disconnect the battery ground cable. Wait more than 20 seconds before operation.</p> <p>2) Disconnect the airbag connector (AB1) from the body harness (B31).</p> <p>3) Connect the connector (2A) in test harness A to the airbag connector (AB1).</p> <p>4) Measure the resistance between the connector (5A) in test harness A and the connector (21) in test harness I2.</p> <p>Connector & terminal (5A) No. 1 — (21) No. 6:</p> | Is the resistance less than 10 Ω? | Go to step 3. | Replace the airbag main harness. <Ref. to AB-16, Main Harness.> |
| 3 | <p>CHECK AIRBAG MAIN HARNESS.</p> <p>Measure the following resistance with the above-mentioned condition maintained.</p> <p>Connector & terminal (5A) No. 1 — Chassis ground: (21) No. 6 — Chassis ground:</p> | Is the resistance more than 1 MΩ? | Go to step 4. | Replace the airbag main harness. <Ref. to AB-16, Main Harness.> |
| 4 | <p>CHECK FUSE NO. 6 (IN JOINT BOX).</p> <p>1) Confirm that the ignition switch is turned OFF.</p> <p>2) Remove No. 11 fuse (in joint box) and perform visual inspection.</p> | Is fuse No. 6 blown? | Replace fuse No. 6. If fuse No. 6 is blown again, repair the body harness. | Repair the body harness. |

DIAGNOSTIC CHART WITH TROUBLE CODE

Airbag System (DIAGNOSTICS)

J: TROUBLE CODE 31 S002630C89

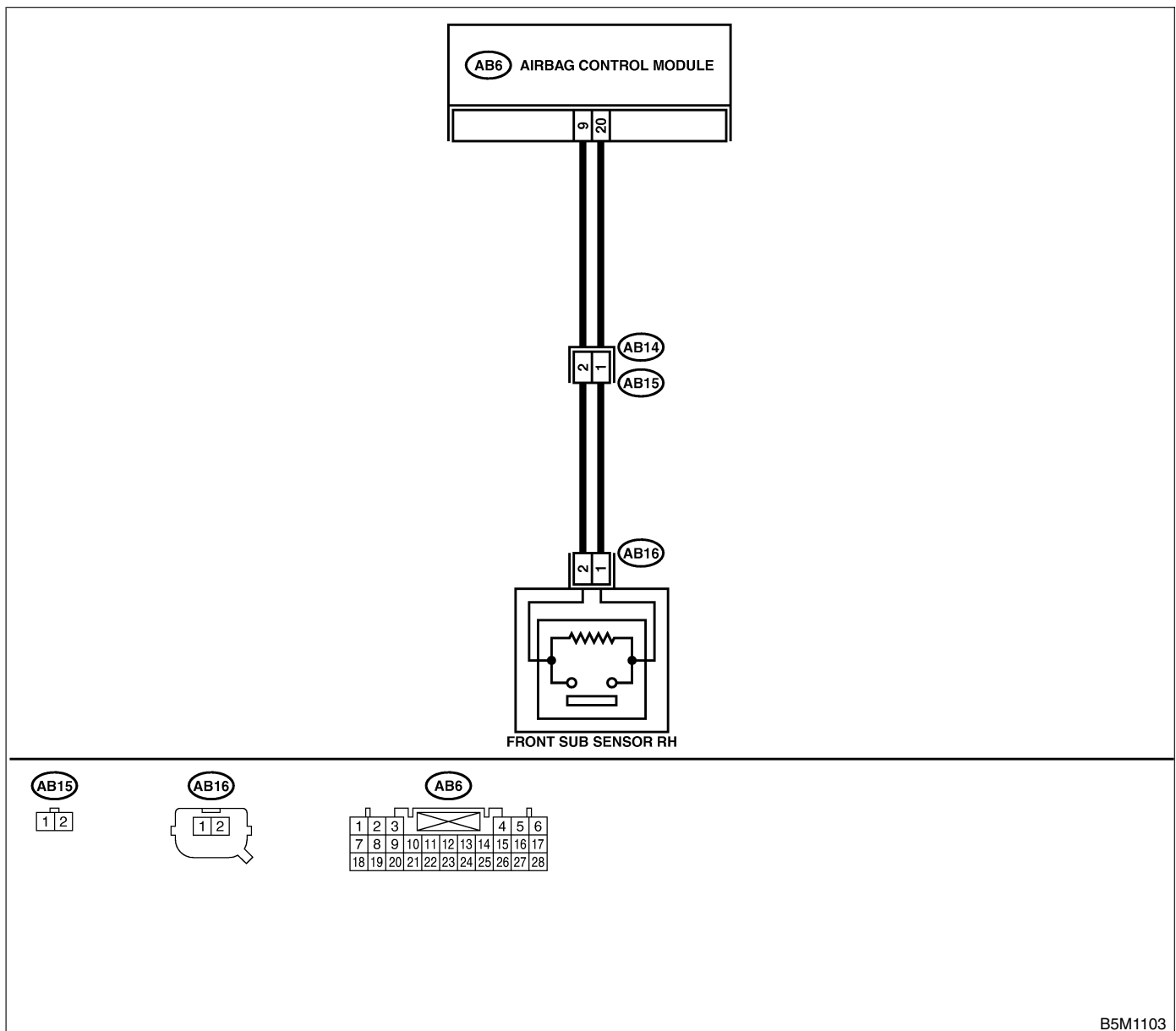
DIAGNOSIS:

- Front sub-sensor harness (RH) circuit is shorted.
- Front sub-sensor harness (RH) circuit is open.
- Front sub-sensor (RH) is faulty.
- Airbag control module is faulty.

CAUTION:

- Before diagnosing the airbag system, be sure to turn the ignition switch OFF, disconnect the ground cable from the battery, and wait more than 20 seconds before starting to work.
- Before replacing the airbag module, roll connector, control module, and sensor, reconnect each part and confirm that the warning light operates properly.
- When inspecting the airbag main harness, disconnect the driver's airbag module and passenger's airbag module connectors for safety reasons.

WIRING DIAGRAM:



B5M1103

DIAGNOSTIC CHART WITH TROUBLE CODE

Airbag System (DIAGNOSTICS)

| No. | Step | Check | Yes | No |
|-----|--|--|--|---|
| 1 | <p>CHECK FRONT SUB-SENSOR (RH) AND FRONT SUB-SENSOR HARNESS (RH). 1) Turn the ignition switch OFF, disconnect the battery ground cable, and wait more than 20 seconds. 2) Disconnect the connector (AB6) from the airbag control module, and connect the connector (1I) in test harness I2. <Ref. to AB-18, Airbag Control Module.> 3) Measure the resistance of the connector (3I) in test harness I2. Connector & terminal (3I) No. 2 — No. 4:</p> | Is the resistance between 750Ω and 1 KΩ? | Replace the airbag control module. <Ref. to AB-18, Airbag Control Module.> | Go to step 2. |
| 2 | <p>CHECK FRONT SUB-SENSOR (RH) AND FRONT SUB-SENSOR HARNESS (RH). Measure the resistance between connector (3I) in test harness I2 and the chassis ground. Connector & terminal (3I) No. 2 — Chassis ground: (3I) No. 4 — Chassis ground:</p> | Is the resistance more than 1 MΩ? | Replace the airbag control module. <Ref. to AB-18, Airbag Control Module.> | Go to step 3. |
| 3 | <p>CHECK AIRBAG MAIN HARNESS AND FRONT SUB-SENSOR HARNESS (RH). 1) Disconnect connector (AB16) from the front sub-sensor. <Ref. to AB-21, Front Sub Sensor.> 2) Connect connector (IH) in test harness H to connector (AB16). 3) Measure the resistance between connector (3I) in test harness I2 and connector (3H) in test harness H. Connector & terminal (3I) No. 2 — (3H) No. 5: (3I) No. 4 — (3H) No. 6:</p> | Is the resistance less than 10Ω? | Go to step 4. | Go to step 5. |
| 4 | <p>CHECK AIRBAG MAIN HARNESS AND FRONT SUB-SENSOR HARNESS (RH). Measure the resistance between connector (3I) in test harness I2 and the chassis ground. Connector & terminal (3I) No. 2 — Chassis ground: (3I) No. 4 — Chassis ground:</p> | Is the resistance more than 1 MΩ? | Go to step 9. | Go to step 5. |
| 5 | <p>CHECK AIRBAG MAIN HARNESS 1) Remove the instrument panel. <Ref. to EI-37, Instrument Panel Assembly.> 2) Disconnect connector (AB15) from (AB14), and connect connector (2F) in test harness F to connector (AB14). 3) Measure the resistance between connector (3I) in test harness I2 and connector (3F) in test harness F. Connector & terminal (3I) No. 2 — (3F) No. 6: (3I) No. 4 — (3F) No. 5:</p> | Is the resistance less than 10 Ω? | Go to step 6. | Replace airbag main harness. <Ref. to AB-16, Main Harness.> |
| 6 | <p>CHECK AIRBAG MAIN HARNESS Measure the resistance between connector (3I) in test harness I2 and the chassis ground. Connector & terminal (3I) No. 2 — Chassis ground: (3I) No. 4 — Chassis ground:</p> | Is the resistance more than 1 MΩ? | Go to step 7. | Replace airbag main harness. <Ref. to AB-16, Main Harness.> |

DIAGNOSTIC CHART WITH TROUBLE CODE

Airbag System (DIAGNOSTICS)

| No. | Step | Check | Yes | No |
|-----|---|--|-----------------------|--|
| 7 | <p>CHECK FRONT SUB-SENSOR HARNESS (RH). 1) Connect connector (1F) in test harness F to the connector (AB15). 2) Measure the resistance between connector (3H) in test harness H and connector (3F) in the test harness F.</p> <p>Connector & terminal <i>(3F) No. 3 — (3H) No. 5:</i> <i>(3F) No. 4 — (3H) No. 6:</i></p> | Is the resistance less than 10 Ω? | Go to step 8. | Replace the front sub-sensor harness (RH) <Ref. to AB-22, Front Sub Sensor Harness.> |
| 8 | <p>CHECK FRONT SUB-SENSOR HARNESS (RH). Measure the resistance between connector (3F) in test harness F and the chassis ground.</p> <p>Connector & terminal <i>(3F) No. 3 — Chassis ground:</i> <i>(3F) No. 4 — Chassis ground:</i></p> | Is the resistance more than 1 MΩ? | Go to step 9. | Replace the front sub-sensor harness (RH) <Ref. to AB-22, Front Sub Sensor Harness.> |
| 9 | <p>CHECK FRONT SUB-SENSOR (RH). 1) Connect connector (2H) in test harness H to front sub-sensor (RH). 2) Measure the resistance of the connector (3H) in test harness H.</p> <p>Connector & terminal <i>(3H) No. 3 — No. 4:</i></p> | Is the resistance between 750Ω and 1 KΩ? | Go to step 10. | Replace the front sub-sensor (RH) <Ref. to AB-21, Front Sub Sensor.> |
| 10 | <p>CHECK FRONT SUB-SENSOR (RH). Measure the resistance between connector (3H) in test harness H and the chassis ground.</p> <p>Connector & terminal <i>(3H) No. 3 — Chassis ground:</i> <i>(3H) No. 4 — Chassis ground:</i></p> | Is the resistance more than 1 MΩ? | Finish the diagnosis. | Replace the front sub-sensor (RH) <Ref. to AB-21, Front Sub Sensor.> |

DIAGNOSTIC CHART WITH TROUBLE CODE

Airbag System (DIAGNOSTICS)

K: TROUBLE CODE 32 S002630C95

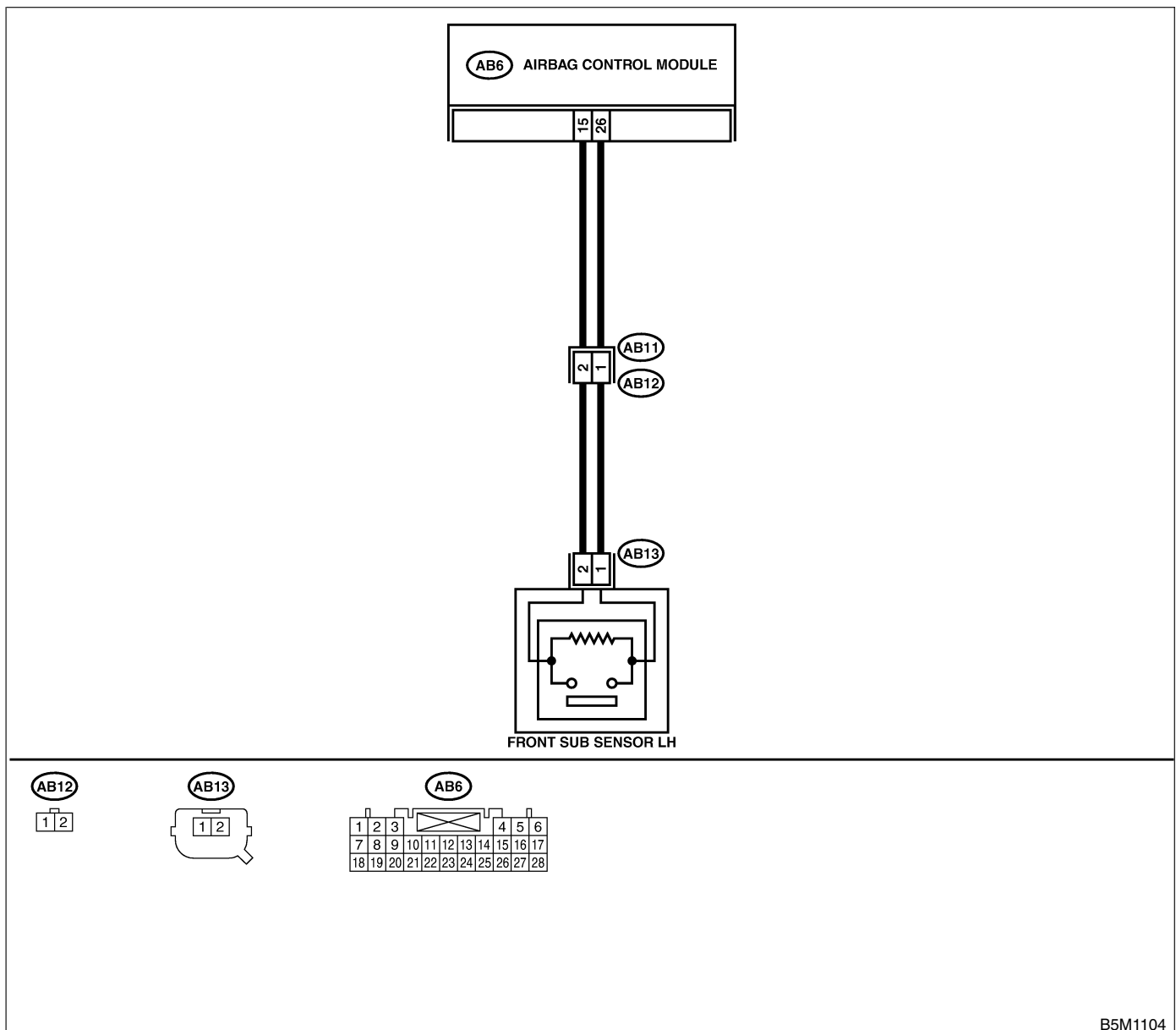
DIAGNOSIS:

- Front sub-sensor harness (LH) circuit is shorted.
- Front sub-sensor harness (LH) circuit is open.
- Front sub-sensor (LH) is faulty.
- Airbag control module is faulty.

CAUTION:

- Before diagnosing the airbag system, be sure to turn the ignition switch OFF, disconnect the ground cable from the battery, and wait more than 20 seconds before starting to work.
- Before replacing the airbag module, roll connector, control module, and sensor, reconnect each part and confirm that the warning light operates properly.
- When inspecting the airbag main harness, disconnect the driver's airbag module and passenger's airbag module connectors for safety reasons.

WIRING DIAGRAM:



B5M1104

DIAGNOSTIC CHART WITH TROUBLE CODE

Airbag System (DIAGNOSTICS)

| No. | Step | Check | Yes | No |
|-----|---|--|--|---|
| 1 | <p>CHECK FRONT SUB-SENSOR (LH) AND FRONT SUB-SENSOR HARNESS (RH). 1) Turn the ignition switch OFF, disconnect the battery ground cable, and wait more than 20 seconds. 2) Disconnect connector (AB6) from the airbag control module, and connect connector (1I) in the test harness I2 to connector (AB6). <Ref. to AB-18, Airbag Control Module.> 3) Measure the resistance of the connector (3I) in the test harness I2. Connector & terminal (3I) No. 1 — No. 3:</p> | Is the resistance between 750Ω and 1 KΩ? | Replace the airbag control module. <Ref. to AB-18, Airbag Control Module.> | Go to step 2. |
| 2 | <p>CHECK FRONT SUB-SENSOR (LH) AND FRONT SUB-SENSOR HARNESS (RH). Measure the resistance between connector (3I) in test harness I2 and the chassis ground. Connector & terminal (3I) No. 1 — Chassis ground: (3I) No. 3 — Chassis ground:</p> | Is the resistance more than 1 MΩ? | Replace the airbag control module. <Ref. to AB-18, Airbag Control Module.> | Go to step 3. |
| 3 | <p>CHECK AIRBAG MAIN HARNESS AND FRONT SUB-SENSOR HARNESS (LH). 1) Disconnect the connector (AB13) from the front sub-sensor. <Ref. to AB-21, Front Sub Sensor.> 2) Connect connector (1H) in test harness H to connector (AB13). 3) Measure the resistance between connector (3I) in test harness I2 and connector (3H) in test harness H. Connector & terminal (3I) No. 3 — (3H) No. 5: (3I) No. 1 — (3H) No. 6:</p> | Is the resistance less than 10 Ω? | Go to step 4. | Go to step 5. |
| 4 | <p>CHECK AIRBAG MAIN HARNESS AND FRONT SUB-SENSOR HARNESS (LH). Measure the resistance between connector (3I) in test harness I2 and the chassis ground. Connector & terminal (3I) No. 3 — Chassis ground: (3I) No. 1 — Chassis ground:</p> | Is the resistance more than 1 MΩ? | Go to step 9. | Go to step 5. |
| 5 | <p>CHECK AIRBAG MAIN HARNESS. 1) Remove the instrument panel. <Ref. to EI-37, Instrument Panel Assembly.> 2) Disconnect connector (AB11) from (AB12), and connect connector (2F) in test harness F to (AB11). 3) Measure the resistance between connector (3I) in test harness I2 and connector (3F) in test harness F. Connector & terminal (3I) No. 3 — (3F) No. 6: (3I) No. 1 — (3F) No. 5:</p> | Is the resistance less than 10 Ω? | Go to step 6. | Replace the airbag main harness. <Ref. to AB-16, Main Harness.> |
| 6 | <p>CHECK AIRBAG MAIN HARNESS. Measure the resistance between connector (3I) in the test harness I2 and the chassis ground. Connector & terminal (3I) No. 3 — Chassis ground: (3I) No. 1 — Chassis ground:</p> | Is the resistance more than 1 MΩ? | Go to step 7. | Replace the airbag main harness. <Ref. to AB-16, Main Harness.> |

DIAGNOSTIC CHART WITH TROUBLE CODE

Airbag System (DIAGNOSTICS)

| No. | Step | Check | Yes | No |
|-----|---|--|-----------------------|---|
| 7 | <p>CHECK FRONT SUB-SENSOR HARNESS (LH). 1) Connect connector (1F) in test harness F to connector (AB12). 2) Measure the resistance between connector (3H) in test harness H and connector (3F) in test harness F.</p> <p>Connector & terminal <i>(3F) No. 3 — (3H) No. 5:</i> <i>(3F) No. 4 — (3H) No. 6:</i></p> | Is the resistance less than 10 Ω? | Go to step 8. | Replace the front sub-sensor harness (LH). <Ref. to AB-22, Front Sub Sensor Harness.> |
| 8 | <p>CHECK FRONT SUB-SENSOR HARNESS (LH). Measure the resistance between connector (3F) in test harness F and the chassis ground.</p> <p>Connector & terminal <i>(3F) No. 3 — Chassis ground:</i> <i>(3F) No. 4 — Chassis ground:</i></p> | Is the resistance more than 1 MΩ? | Go to step 9. | Replace the front sub-sensor harness (LH). <Ref. to AB-22, Front Sub Sensor Harness.> |
| 9 | <p>CHECK FRONT SUB-SENSOR (LH). 1) Connect connector (2H) in test harness H to front sub-sensor (LH). 2) Measure the resistance of the connector (3H) in test harness H.</p> <p>Connector & terminal <i>(3H) No. 3 — No. 4:</i></p> | Is the resistance between 750Ω and 1 KΩ? | Go to step 10. | Replace the front sub-sensor (LH). <Ref. to AB-21, Front Sub Sensor.> |
| 10 | <p>CHECK FRONT SUB-SENSOR (LH). Measure the resistance between connector (3H) in test harness H and the chassis ground.</p> <p>Connector & terminal <i>(3H) No. 3 — Chassis ground:</i> <i>(3H) No. 4 — Chassis ground:</i></p> | Is the resistance more than 1 MΩ? | Finish the diagnosis. | Replace the front sub-sensor (LH). <Ref. to AB-21, Front Sub Sensor.> |

DIAGNOSTIC CHART WITH TROUBLE CODE

Airbag System (DIAGNOSTICS)

L: TROUBLE CODE 41 S002630D28

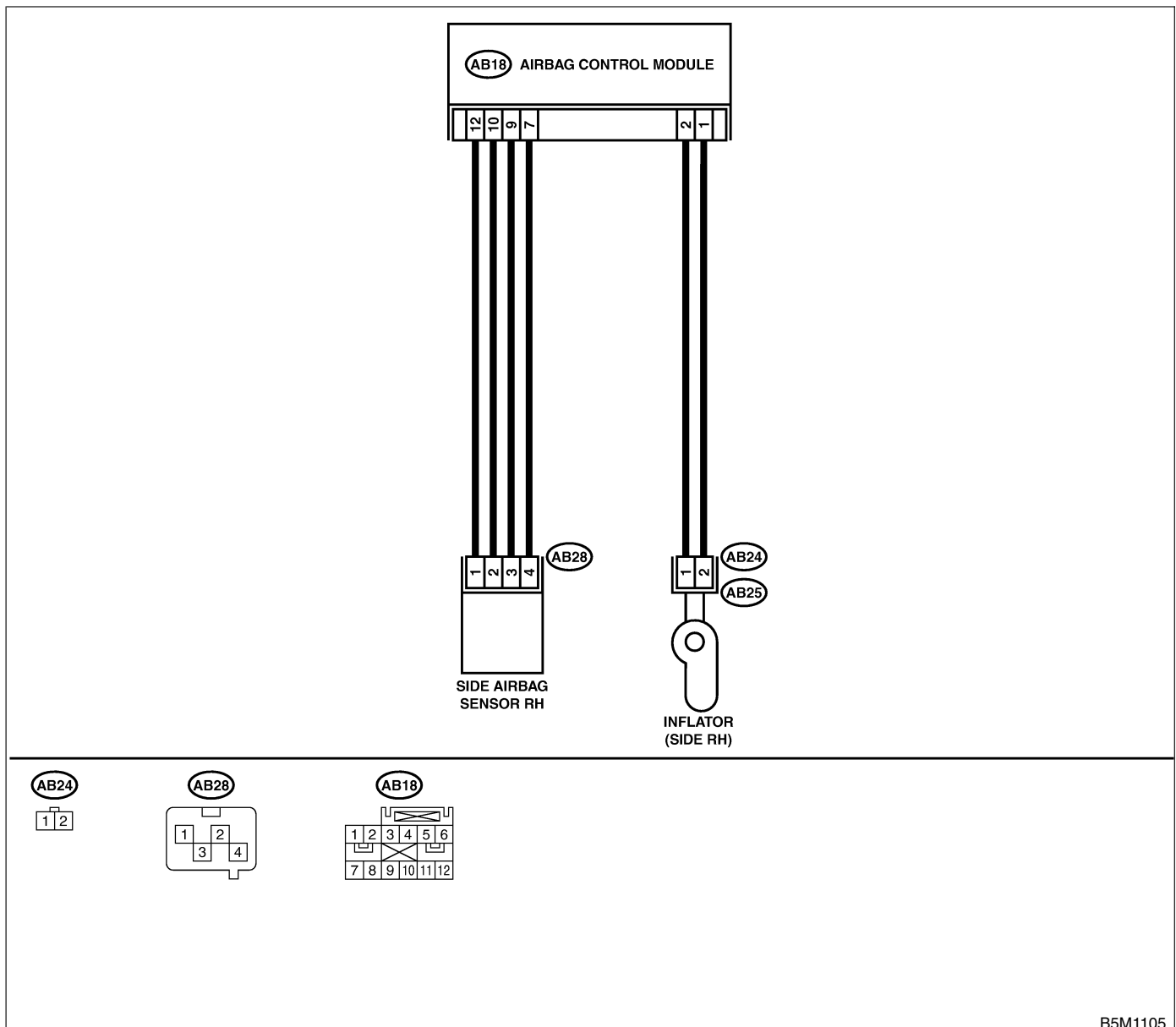
DIAGNOSIS:

- Front sub-sensor harness (RH) is faulty.
- Side airbag module (RH) is faulty.
- Airbag control module is faulty.

CAUTION:

- Before diagnosing the airbag system, be sure to turn the ignition switch OFF, disconnect the ground cable from the battery, and wait more than 20 seconds before starting to work.
- Before replacing the airbag module, roll connector, control module, and sensor, reconnect each part and confirm that the warning light operates properly.
- When inspecting the airbag main harness, disconnect the driver's airbag module and passenger's airbag module connectors for safety reasons.
- When inspecting the side airbag harness, disconnect the side airbag module connector and seat belt pretensioner connector for the safety reasons.

WIRING DIAGRAM:



B5M1105

DIAGNOSTIC CHART WITH TROUBLE CODE

Airbag System (DIAGNOSTICS)

| No. | Step | Check | Yes | No |
|-----|---|---|--|--|
| 1 | <p>CHECK SIDE AIRBAG MODULE.</p> <p>1) Turn the ignition switch OFF, disconnect the battery ground cable, and wait more than 20 seconds.</p> <p>2) Disconnect the connector (AB26) from the seat belt pretensioner (RH). <Ref. to SB-7, Front Seat Belt.></p> <p>3) Disconnect connector (AB25) from (AB24), and connect connector (1F) in test harness F to (AB24).</p> <p>4) Connect air bag resistor to connector (3F) in test harness F.</p> <p>5) Connect the battery ground cable, and turn the ignition switch ON.</p> | Does the airbag warning light operate properly? | Replace front seat with side airbag module (RH). <Ref. to SE-7, Front Seat.> | Go to step 2. |
| 2 | <p>CHECK SIDE AIRBAG HARNESS (RH).</p> <p>1) Turn the ignition switch OFF, disconnect the battery ground cable, and wait more than 20 seconds.</p> <p>2) Disconnect airbag resistor from test harness.</p> <p>3) Disconnect the connector (AB18) from air bag control module. <Ref. to AB-18, Airbag Control Module.></p> <p>4) Connect connector (1I) in test harness I2 to connector (AB18).</p> <p>5) Measure the resistance between connector (3I) in test harness I2 and connector (3F) in test harness F.</p> <p>Connector & terminal <i>(3I) No. 7 — (3F) No. 4:</i> <i>(3I) No. 9 — (3F) No. 3:</i></p> | Is the resistance less than 10 Ω? | Go to step 3. | Replace side airbag harness. <Ref. to AB-17, Side Airbag Harness.> |
| 3 | <p>CHECK SIDE AIRBAG HARNESS (RH).</p> <p>Measure the resistance of the connector (3I) in test harness I2.</p> <p>Connector & terminal <i>(3I) No. 7 — No. 9:</i></p> | Is the resistance more than 1 MΩ? | Go to step 4. | Replace side airbag harness. <Ref. to AB-17, Side Airbag Harness.> |
| 4 | <p>CHECK SIDE AIRBAG HARNESS (RH).</p> <p>Measure the resistance of the connector (3F) in test harness F.</p> <p>Connector & terminal <i>(3F) No. 3 — No. 4:</i></p> | Is the resistance more 1MΩ? | Go to step 5. | Replace side airbag harness. <Ref. to AB-17, Side Airbag Harness.> |
| 5 | <p>CHECK SIDE AIRBAG HARNESS (RH).</p> <p>Measure the resistance between connector (3F) in test harness F and the chassis ground.</p> <p>Connector & terminal <i>(3F) No. 3 — Chassis ground:</i> <i>(3F) No. 4 — Chassis ground:</i></p> | Is the resistance more than 1 MΩ? | Go to step 6. | Replace side airbag harness. <Ref. to AB-17, Side Airbag Harness.> |
| 6 | <p>CHECK SIDE AIRBAG HARNESS (RH).</p> <p>Measure the resistance between connector (3I) in test harness I2 and the chassis ground.</p> <p>Connector & terminal <i>(3I) No. 7 — Chassis ground:</i> <i>(3I) No. 9 — Chassis ground:</i></p> | Is the resistance more than 1 MΩ? | Replace the airbag control module. <Ref. to AB-18, Airbag Control Module.> | Replace side airbag harness. <Ref. to AB-17, Side Airbag Harness.> |

DIAGNOSTIC CHART WITH TROUBLE CODE

Airbag System (DIAGNOSTICS)

M: TROUBLE CODE 42 S002630D33

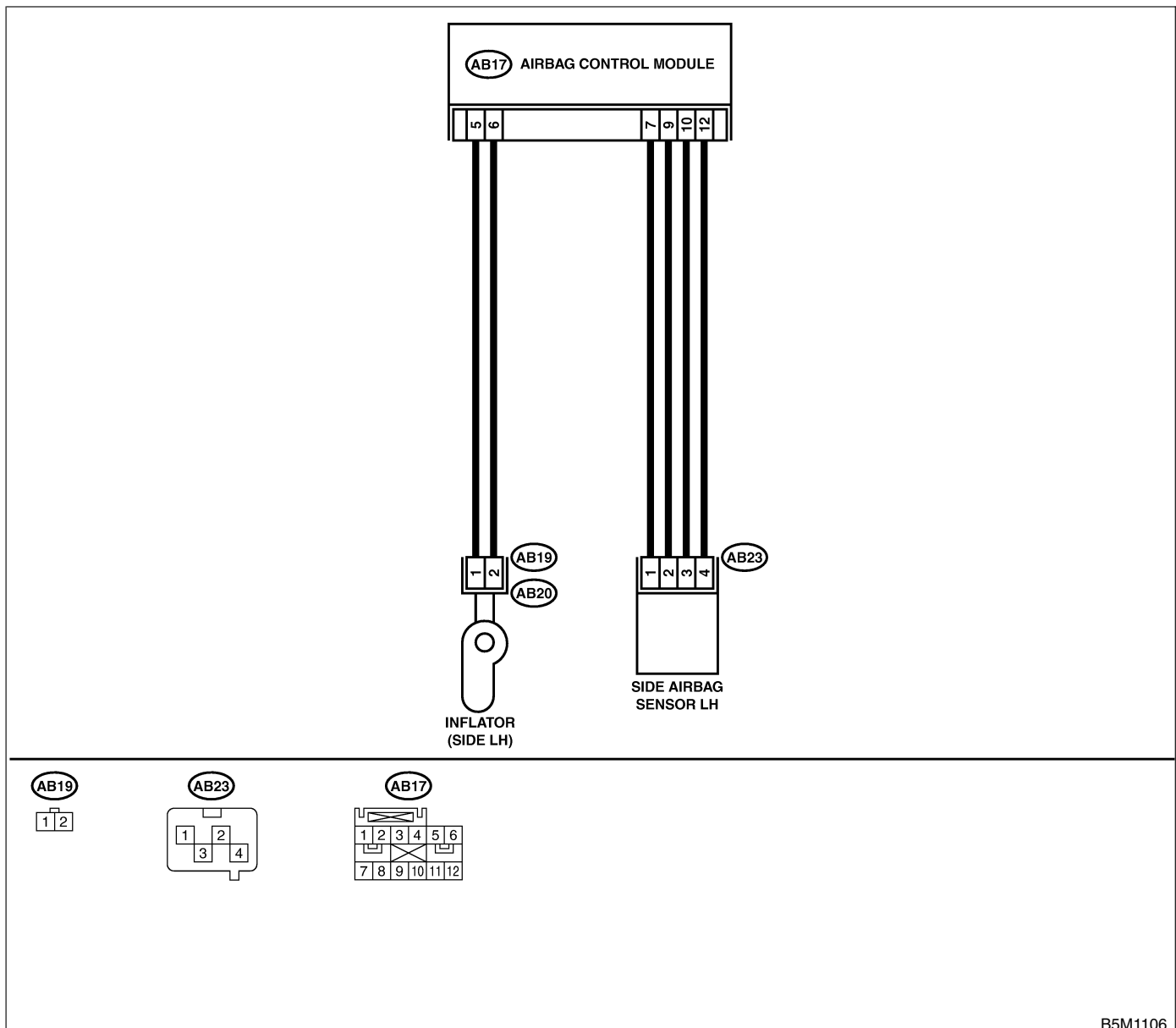
DIAGNOSIS:

- Front sub-sensor harness (LH) is faulty.
- Side airbag module (LH) is faulty.
- Airbag control module is faulty.

CAUTION:

- Before diagnosing the airbag system, be sure to turn the ignition switch OFF, disconnect the ground cable from the battery, and wait more than 20 seconds before starting to work.
- Before replacing the airbag module, roll connector, control module, and sensor, reconnect each part and confirm that the warning light operates properly.
- When inspecting the airbag main harness, disconnect the driver's airbag module and passenger's airbag module connectors for safety reasons.
- When inspecting the side airbag harness, disconnect the side airbag module connector and seat belt pretensioner connector for the safety reasons.

WIRING DIAGRAM:



B5M1106

DIAGNOSTIC CHART WITH TROUBLE CODE

Airbag System (DIAGNOSTICS)

| No. | Step | Check | Yes | No |
|-----|--|--|--|--|
| 1 | <p>CHECK SIDE AIRBAG MODULE.</p> <p>1) Turn the ignition switch OFF, disconnect the battery ground cable, and wait more than 20 seconds.</p> <p>2) Disconnect the connector (AB21) from the seat belt pretensioner (LH). <Ref. to SB-7, Front Seat Belt.></p> <p>3) Disconnect connector (AB20) from (AB19), and connect connector (1F) in test harness F to (AB19).</p> <p>4) Connect airbag resistor to connector (3F) in test harness F.</p> <p>5) Connect the battery ground cable, and turn the ignition switch ON.</p> | Does the air bag warning light operate properly? | Replace front seat with side airbag module (LH). <Ref. to SE-7, Front Seat.> | Go to step 2. |
| 2 | <p>CHECK SIDE AIRBAG HARNESS (LH).</p> <p>1) Turn ignition switch OFF, disconnect the battery ground cable, and wait more than 20 seconds.</p> <p>2) Disconnect airbag resistor from the test harness.</p> <p>3) Disconnect the connector (AB17) from the airbag control module. <Ref. to AB-18, Airbag Control Module.></p> <p>4) Connect connector (1I) in test harness I2 to connector (AB17).</p> <p>5) Measure the resistance between connector (3I) in test harness I2 and connector (3F) in test harness F.</p> <p>Connector & terminal (3I) No. 10 — (3F) No. 3: (3I) No. 12 — (3F) No. 4:</p> | Is the resistance less than 10 Ω? | Go to step 3. | Replace side airbag harness. <Ref. to AB-17, Side Airbag Harness.> |
| 3 | <p>CHECK SIDE AIRBAG HARNESS (LH).</p> <p>Measure the resistance of the connector (3I) in test harness I2.</p> <p>Connector & terminal (3I) No. 10 — No. 12:</p> | Is the resistance more than 1 MΩ? | Go to step 4. | Replace side airbag harness. <Ref. to AB-17, Side Airbag Harness.> |
| 4 | <p>CHECK SIDE AIRBAG HARNESS (LH).</p> <p>Measure the resistance of the connector (3F) in test harness F.</p> <p>Connector & terminal (3F) No. 3 — No. 4:</p> | Is the resistance more than 1 MΩ? | Go to step 5. | Replace side airbag harness. <Ref. to AB-17, Side Airbag Harness.> |
| 5 | <p>CHECK SIDE AIRBAG HARNESS (LH).</p> <p>Measure the resistance between connector (3F) in test harness F and the chassis ground.</p> <p>Connector & terminal (3F) No. 3 — Chassis ground: (3F) No. 4 — Chassis ground:</p> | Is the resistance more than 1 MΩ? | Go to step 6. | Replace side airbag harness. <Ref. to AB-17, Side Airbag Harness.> |
| 6 | <p>CHECK SIDE AIRBAG HARNESS (LH).</p> <p>Measure the resistance between connector (3I) in test harness I2 and the chassis ground.</p> <p>Connector & terminal (3I) No. 10 — Chassis ground: (3I) No. 12 — Chassis ground:</p> | Is the resistance more than 1 MΩ? | Replace airbag control module. <Ref. to AB-18, Airbag Control Module.> | Replace side airbag harness. <Ref. to AB-17, Side Airbag Harness.> |

DIAGNOSTIC CHART WITH TROUBLE CODE

Airbag System (DIAGNOSTICS)

N: TROUBLE CODE 45 S002630D45

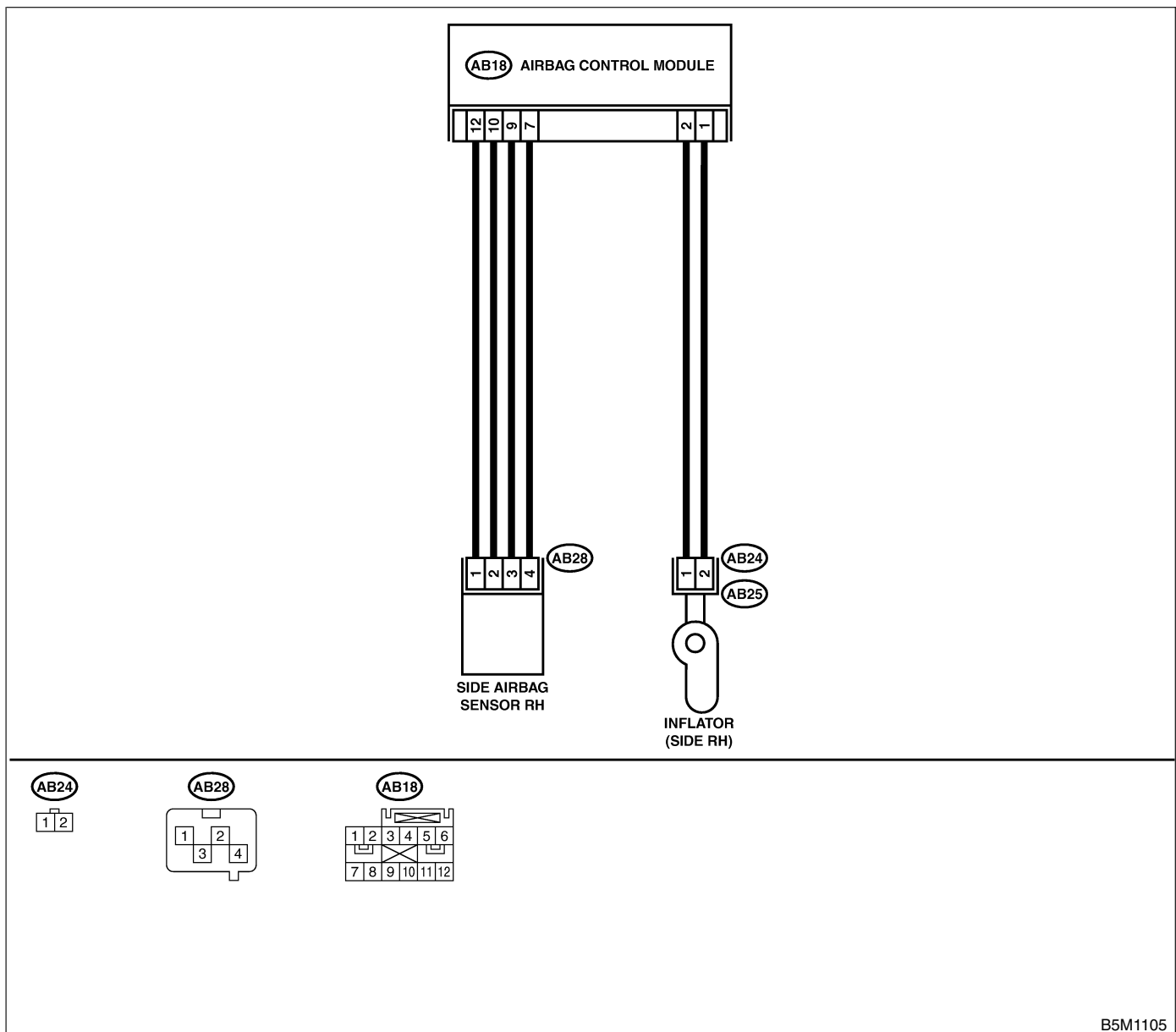
DIAGNOSIS:

- Side airbag harness (RH) is shorted to power supply.
- Airbag control module is faulty.

CAUTION:

- Before diagnosing the airbag system, be sure to turn the ignition switch OFF, disconnect the ground cable from the battery, and wait more than 20 seconds before starting to work.
- Before replacing the airbag module, roll connector, control module, and sensor, reconnect each part and confirm that the warning light operates properly.
- When inspecting the airbag main harness, disconnect the driver's airbag module and passenger's airbag module connectors for safety reasons.
- When inspecting the side airbag harness, disconnect the side airbag module connector and seat belt pretensioner connector for the safety reasons.

WIRING DIAGRAM:



B5M1105

DIAGNOSTIC CHART WITH TROUBLE CODE

Airbag System (DIAGNOSTICS)

| No. | Step | Check | Yes | No |
|-----|--|--|--|--|
| 1 | <p>CHECK SIDE AIRBAG MODULE.</p> <p>1) Turn the ignition switch OFF, disconnect the battery ground cable, and wait more than 20 seconds.</p> <p>2) Disconnect the connector (AB26) from the seat belt pretensioner (RH). <Ref. to SB-7, Front Seat Belt.></p> <p>3) Disconnect the connector (AB25) from (AB24), and connect connector (1F) in test harness F to (AB24).</p> <p>4) Connect airbag resistor to connector (3F) in test harness F.</p> <p>5) Connect the battery ground cable, and turn the ignition switch ON.</p> | Does air bag warning light operate properly? | Replace front seat with side airbag module (RH). <Ref. to SE-7, Front Seat.> | Go to step 2. |
| 2 | <p>CHECK SIDE AIRBAG HARNESS (RH).</p> <p>1) Turn the ignition switch OFF, disconnect the battery ground cable, and wait more than 20 seconds.</p> <p>2) Disconnect airbag resistor from the test harness.</p> <p>3) Disconnect the connector (AB18) from the airbag control module. <Ref. to AB-18, Airbag Control Module.></p> <p>4) Connect connector (1I) in test harness I2 to connector (AB18).</p> <p>5) Connect the battery ground cable, and turn the ignition switch ON.</p> <p>6) Measure the voltage between connector (3I) in test harness I2 and the chassis ground.</p> <p>Connector & terminal</p> <p>(3I) No. 7 (+) — Chassis ground (-):</p> <p>(3I) No. 9 (+) — Chassis ground (-):</p> | Is the voltage less than 1 V? | Replace the airbag control module. <Ref. to AB-18, Airbag Control Module.> | Replace side airbag harness. <Ref. to AB-17, Side Airbag Harness.> |

DIAGNOSTIC CHART WITH TROUBLE CODE

Airbag System (DIAGNOSTICS)

O: TROUBLE CODE 46 S002630D50

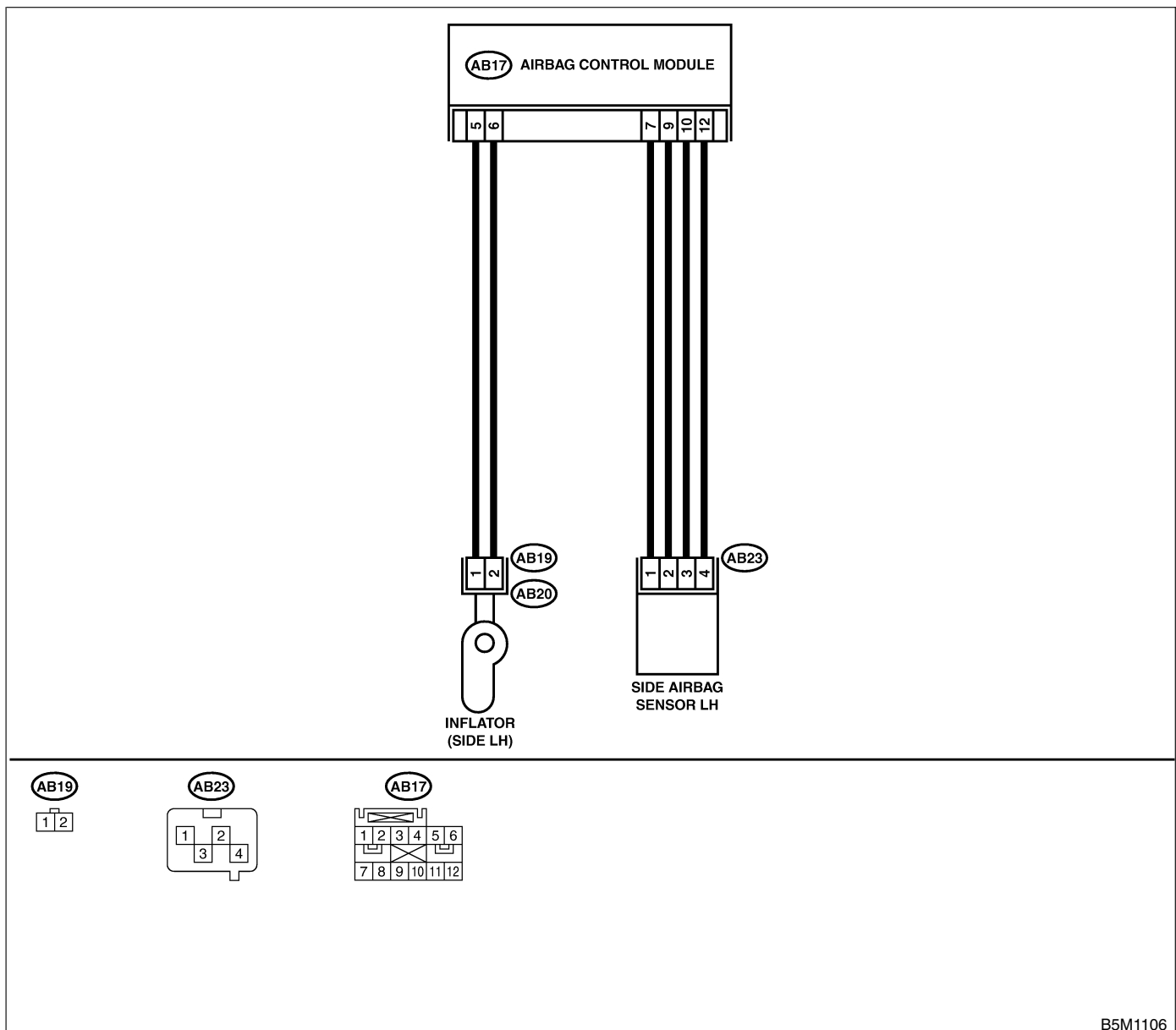
DIAGNOSIS:

- Side airbag harness (LH) is shorted to power supply.
- Airbag control module is faulty.

CAUTION:

- Before diagnosing the airbag system, be sure to turn the ignition switch OFF, disconnect the ground cable from the battery, and wait more than 20 seconds before starting to work.
- Before replacing the airbag module, roll connector, control module, and sensor, reconnect each part and confirm that the warning light operates properly.
- When inspecting the airbag main harness, disconnect the driver's airbag module and passenger's airbag module connectors for safety reasons.
- When inspecting the side airbag harness, disconnect the side airbag module connector and seat belt pretensioner connector for the safety reasons.

WIRING DIAGRAM:



B5M1106

DIAGNOSTIC CHART WITH TROUBLE CODE

Airbag System (DIAGNOSTICS)

| No. | Step | Check | Yes | No |
|-----|--|--|--|--|
| 1 | <p>CHECK SIDE AIRBAG MODULE.</p> <p>1) Turn the ignition switch OFF, disconnect the battery ground cable, and wait more than 20 seconds.</p> <p>2) Disconnect connector (AB21) from the seat belt pretensioner (LH). <Ref. to SB-7, Front Seat Belt.></p> <p>3) Disconnect connector (AB20) from (AB19), and connect connector (1F) in test harness F to (AB19).</p> <p>4) Connect airbag resistor to connector (3F) in test harness F.</p> <p>5) Connect the battery ground cable and turn the ignition switch ON.</p> | Does air bag warning light operate properly? | Replace front seat with side airbag module (LH). <Ref. to SE-7, Front Seat.> | Go to step 2. |
| 2 | <p>CHECK SIDE AIRBAG HARNESS (LH).</p> <p>1) Turn the ignition switch OFF, disconnect the battery ground cable, and wait more than 20 seconds.</p> <p>2) Disconnect airbag resistor from the test harness.</p> <p>3) Disconnect the connector (AB17) from the airbag control module. <Ref. to AB-18, Airbag Control Module.></p> <p>4) Connect connector (1I) in test harness I2 to connector (AB17).</p> <p>5) Connect the battery ground cable, and turn the ignition switch ON.</p> <p>6) Measure the voltage between connector (3I) in test harness I2 and the chassis ground.</p> <p>Connector & terminal</p> <p>(3I) No. 10 (+) — Chassis ground (-):</p> <p>(3I) No. 12 (+) — Chassis ground (-):</p> | Is the voltage less than 1 V? | Replace the airbag control module. <Ref. to AB-18, Airbag Control Module.> | Replace side airbag harness. <Ref. to AB-17, Side Airbag Harness.> |

DIAGNOSTIC CHART WITH TROUBLE CODE

Airbag System (DIAGNOSTICS)

P: TROUBLE CODE 51 S002630D60

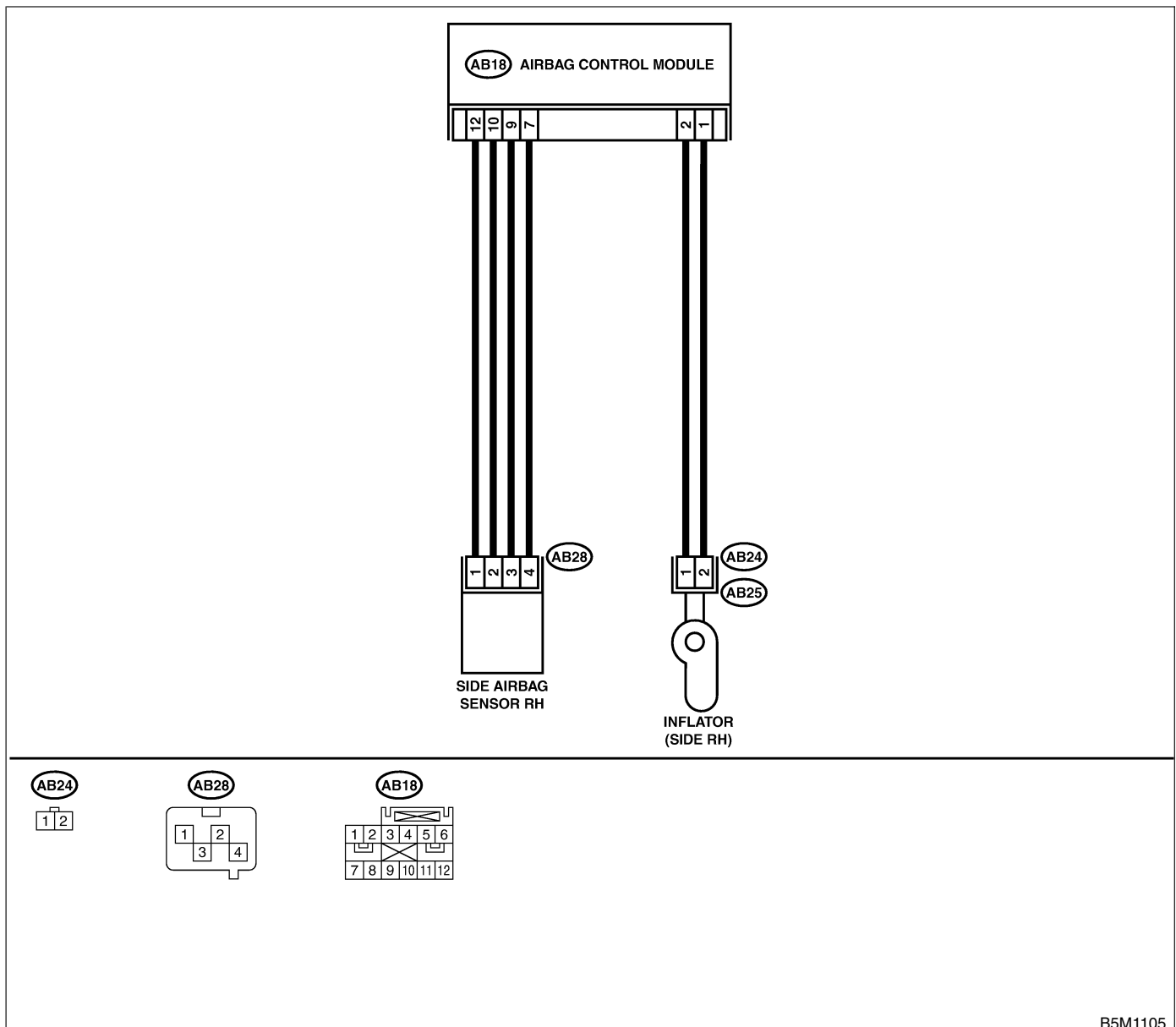
DIAGNOSIS:

- Side airbag sensor (RH) is faulty.
- Side airbag harness (RH) is faulty.
- Airbag control module is faulty.

CAUTION:

- Before diagnosing the airbag system, be sure to turn the ignition switch OFF, disconnect the ground cable from the battery, and wait more than 20 seconds before starting to work.
- Before replacing the airbag module, roll connector, control module, and sensor, reconnect each part and confirm that the warning light operates properly.
- When inspecting the airbag main harness, disconnect the driver's airbag module and passenger's airbag module connectors for safety reasons.
- When inspecting the side airbag harness, disconnect the side airbag module connector and seat belt pretensioner connector for the safety reasons.

WIRING DIAGRAM:



B5M1105

DIAGNOSTIC CHART WITH TROUBLE CODE

Airbag System (DIAGNOSTICS)

| No. | Step | Check | Yes | No |
|-----|--|-----------------------------------|---|--|
| 1 | <p>CHECK SIDE AIRBAG HARNESS (RH). 1) Turn the ignition switch OFF, disconnect the battery ground cable, and wait more than 20 seconds. 2) Disconnect connector (AB26) from the seat belt pretensioner (RH). <Ref. to SB-7, Front Seat Belt.> 3) Disconnect connector (AB25) from (AB24). 4) Disconnect connector (AB18) from the airbag control module. <Ref. to AB-18, Airbag Control Module.> 5) Connect connector (1I) in test harness I2 to the connector (AB18). 6) Disconnect connector (AB28) from the side airbag sensor (RH), and connect connector (1G) in test harness G to connector (AB28). 7) Measure the resistance between connector (3I) in test harness I2 and connector (3G) in test harness G.</p> <p>Connector & terminal (3I) No. 17 — (3G) No. 2: (3I) No. 18 — (3G) No. 1: (3I) No. 19 — (3G) No. 5: (3I) No. 20 — (3G) No. 4:</p> | Is the resistance less than 10 Ω? | Go to step 2. | Replace side airbag harness. <Ref. to AB-17, Side Airbag Harness.> |
| 2 | <p>CHECK SIDE AIRBAG HARNESS (RH). Measure the resistance between connector (3I) in test harness I2 and the chassis ground.</p> <p>Connector & terminal (3I) No. 17 — Chassis ground: (3I) No. 18 — Chassis ground: (3I) No. 19 — Chassis ground: (3I) No. 20 — Chassis ground:</p> | Is the resistance more than 1 MΩ? | Replace side airbag sensor (RH). <Ref. to AB-19, Side Airbag Sensor.> When sensor replacement is not OK, replace the airbag control module. <Ref. to AB-18, Airbag Control Module.> | Replace side airbag harness. <Ref. to AB-17, Side Airbag Harness.> |

DIAGNOSTIC CHART WITH TROUBLE CODE

Airbag System (DIAGNOSTICS)

Q: TROUBLE CODE 52 S002630D64

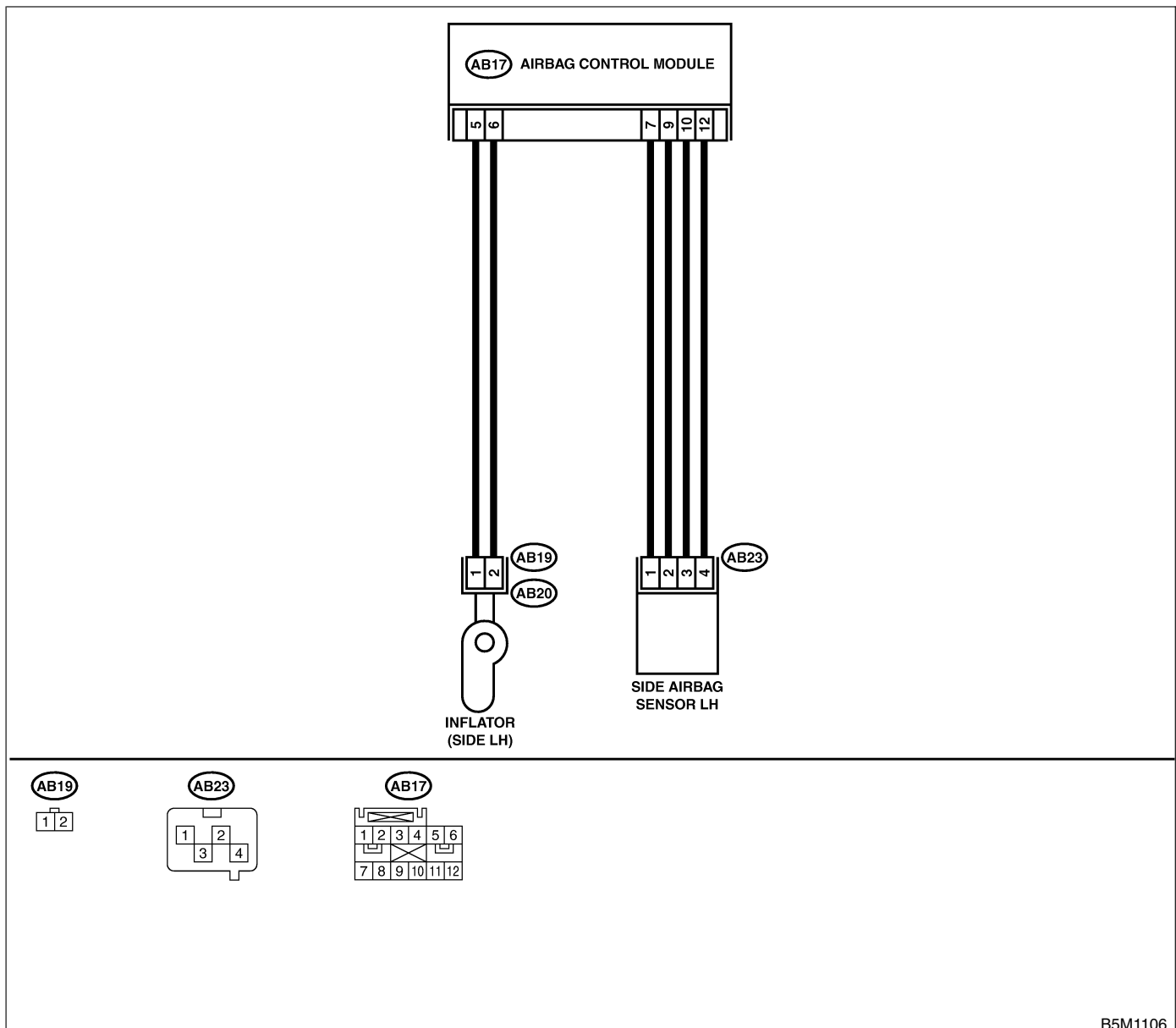
DIAGNOSIS:

- Side airbag sensor (LH) is faulty.
- Side airbag harness (LH) is faulty.
- Airbag control module is faulty.

CAUTION:

- Before diagnosing the airbag system, be sure to turn the ignition switch OFF, disconnect the ground cable from the battery, and wait more than 20 seconds before starting to work.
- Before replacing the airbag module, roll connector, control module, and sensor, reconnect each part and confirm that the warning light operates properly.
- When inspecting the airbag main harness, disconnect the driver's airbag module and passenger's airbag module connectors for safety reasons.
- When inspecting the side airbag harness, disconnect the side airbag module connector and seat belt pretensioner connector for the safety reasons.

WIRING DIAGRAM:



B5M1106

DIAGNOSTIC CHART WITH TROUBLE CODE

Airbag System (DIAGNOSTICS)

| No. | Step | Check | Yes | No |
|-----|---|-----------------------------------|---|--|
| 1 | <p>CHECK SIDE AIRBAG HARNESS (LH). 1) Turn the ignition switch OFF, disconnect the battery ground cable, and wait more than 20 seconds. 2) Disconnect the connector (AB21) from the seat belt pretensioner (LH). <Ref. to SB-7, Front Seat Belt.> 3) Disconnect connector (AB20) from (AB19). 4) Disconnect connector (AB17) from the airbag control module. <Ref. to AB-18, Airbag Control Module.> 5) Connect connector (1I) in test harness I2 to connector (AB17). 6) Disconnect connector (AB23) from the side airbag sensor (LH), and connect connector (1G) in test harness G to connector (AB23). 7) Measure the resistance between connector (3I) in test harness I2 and connector (3G) in test harness G.</p> <p>Connector & terminal (3I) No. 5 — (3G) No. 4: (3I) No. 14 — (3G) No. 5: (3I) No. 15 — (3G) No. 1: (3I) No. 16 — (3G) No. 2:</p> | Is the resistance less than 10 Ω? | Go to step 2. | Replace side airbag harness. <Ref. to AB-17, Side Airbag Harness.> |
| 2 | <p>CHECK SIDE AIRBAG HARNESS (RH). Measure the resistance between connector (3I) in test harness I2 and the chassis ground.</p> <p>Connector & terminal (3I) No. 5 — Chassis ground: (3I) No. 14 — Chassis ground: (3I) No. 15 — Chassis ground: (3I) No. 16 — Chassis ground:</p> | Is the resistance more than 1 MΩ? | Replace side airbag sensor (LH). <Ref. to AB-19, Side Airbag Sensor.> When sensor replacement is not OK, replace the airbag control module. <Ref. to AB-18, Airbag Control Module.> | Replace side airbag harness. <Ref. to AB-17, Side Airbag Harness.> |

R: TROUBLE CODE 53 S002630D69

DIAGNOSIS:

- Side airbag sensor (RH) is faulty.
- When Code 53 is displayed, the circuit within the side airbag sensor (RH) is faulty. Replace the side airbag sensor (RH).
 <Ref. to AB-19, Side Airbag Sensor.>

S: TROUBLE CODE 54 S002630D70

DIAGNOSIS:

- Side airbag sensor (LH) is faulty.
- When Code 53 is displayed, the circuit within the side airbag sensor (LH) is faulty. Replace the side airbag sensor (LH).
 <Ref. to AB-19, Side Airbag Sensor.>

T: TROUBLE CODE 55 S002630D73

This code is displayed when the side airbag is deployed.
 When this code is displayed, the memory cannot be erased. Replace the following parts.

- Airbag control module. <Ref. to AB-18, Airbag Control Module.>
- Front seat with side airbag module. (Operating side) <Ref. to SE-7, Front Seat.>
- Side airbag sensor. (Operating side) <Ref. to AB-19, Side Airbag Sensor.>

DIAGNOSTIC CHART WITH TROUBLE CODE

Airbag System (DIAGNOSTICS)

U: TROUBLE CODE 61 S002630D75

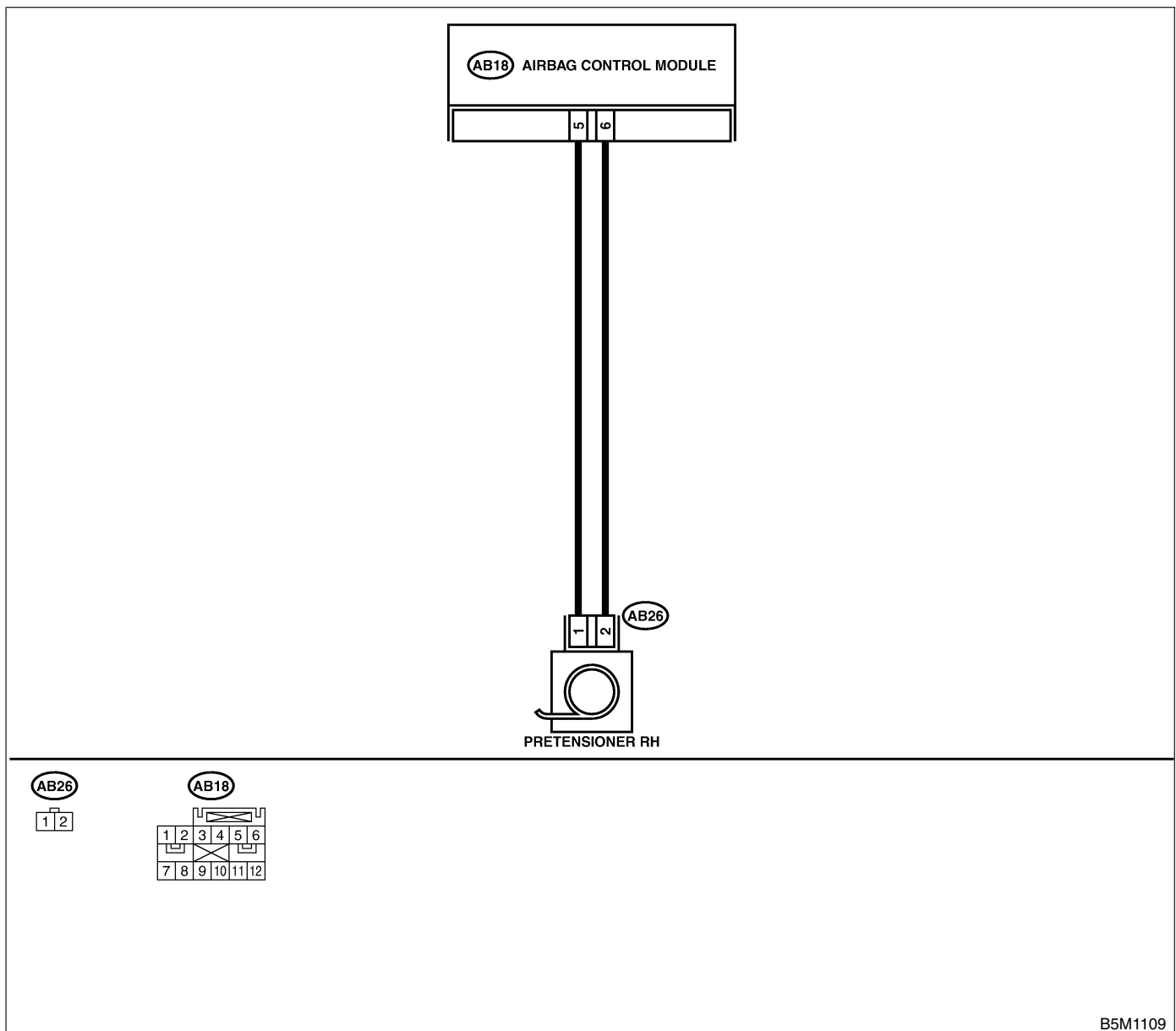
DIAGNOSIS:

- Seat belt pretensioner (RH) circuit is open, shorted or shorted to ground.
- Airbag control module is faulty.
- Pretensioner is faulty.
- Pretensioner harness is faulty.

CAUTION:

- Before diagnosing the airbag system, be sure to turn the ignition switch OFF, disconnect the ground cable from the battery, and wait more than 20 seconds before starting to work.
- Before replacing the airbag module, roll connector, control module, and sensor, reconnect each part and confirm that the warning light operates properly.
- When inspecting the side airbag harness, disconnect the side airbag module connector and seat belt pretensioner connector for the safety reasons.

WIRING DIAGRAM:



B5M1109

DIAGNOSTIC CHART WITH TROUBLE CODE

Airbag System (DIAGNOSTICS)

| No. | Step | Check | Yes | No |
|-----|---|---|--|--|
| 1 | <p>CHECK SEAT BELT PRETENSIONER.</p> <p>1) Turn the ignition switch OFF, disconnect the battery ground cable, and wait more than 20 seconds.</p> <p>2) Disconnect the connector (AB26) from the seat belt pretensioner (RH). <Ref. to SB-7, Front Seat Belt.></p> <p>3) Connect the connector (1F) in test harness F to (AB26).</p> <p>4) Connect the airbag resistor to connector (3F) in test harness F.</p> <p>5) Connect the battery ground cable and turn the ignition switch ON.</p> | Does the airbag warning light operate properly? | Replace seat belt pretensioner (RH). <Ref. to SB-7, Front Seat Belt.> | Go to step 2. |
| 2 | <p>CHECK SIDE AIRBAG HARNESS (RH).</p> <p>1) Turn the ignition switch OFF, disconnect the battery ground cable, and wait more than 20 seconds.</p> <p>2) Disconnect the airbag resistor from the test harness.</p> <p>3) Disconnect the connector (AB25) from (AB24).</p> <p>4) Disconnect the connectors (AB17) and (AB18) from the airbag control module. <Ref. to AB-18, Airbag Control Module.></p> <p>5) Connect the connector (1I) in test harness I2 to connector (AB18).</p> <p>6) Measure the resistance between connector (3I) in test harness I2 and connector (3F) in test harness F.</p> <p>Connector & terminal <i>(3I) No. 8 — (3F) No. 4:</i> <i>(3I) No. 6 — (3F) No. 3:</i></p> | Is the resistance less than 10 Ω? | Go to step 3. | Replace side airbag harness. <Ref. to AB-17, Side Airbag Harness.> |
| 3 | <p>CHECK SIDE AIRBAG HARNESS (RH).</p> <p>Measure the resistance of the connector (3I) in test harness I2.</p> <p>Connector & terminal <i>(3I) No. 6 — No. 8:</i></p> | Is the resistance more than 1 MΩ? | Go to step 4. | Replace side airbag harness. <Ref. to AB-17, Side Airbag Harness.> |
| 4 | <p>CHECK SIDE AIRBAG HARNESS (RH).</p> <p>Measure the resistance between connector (3I) in test harness I2 and the chassis ground.</p> <p>Connector & terminal <i>(3I) No. 6 — Chassis ground:</i> <i>(3I) No. 8 — Chassis ground:</i></p> | Is the resistance more than 1 MΩ? | Replace the airbag control module. <Ref. to AB-18, Airbag Control Module.> | Replace side airbag harness. <Ref. to AB-17, Side Airbag Harness.> |

DIAGNOSTIC CHART WITH TROUBLE CODE

Airbag System (DIAGNOSTICS)

V: TROUBLE CODE 62 S002630D79

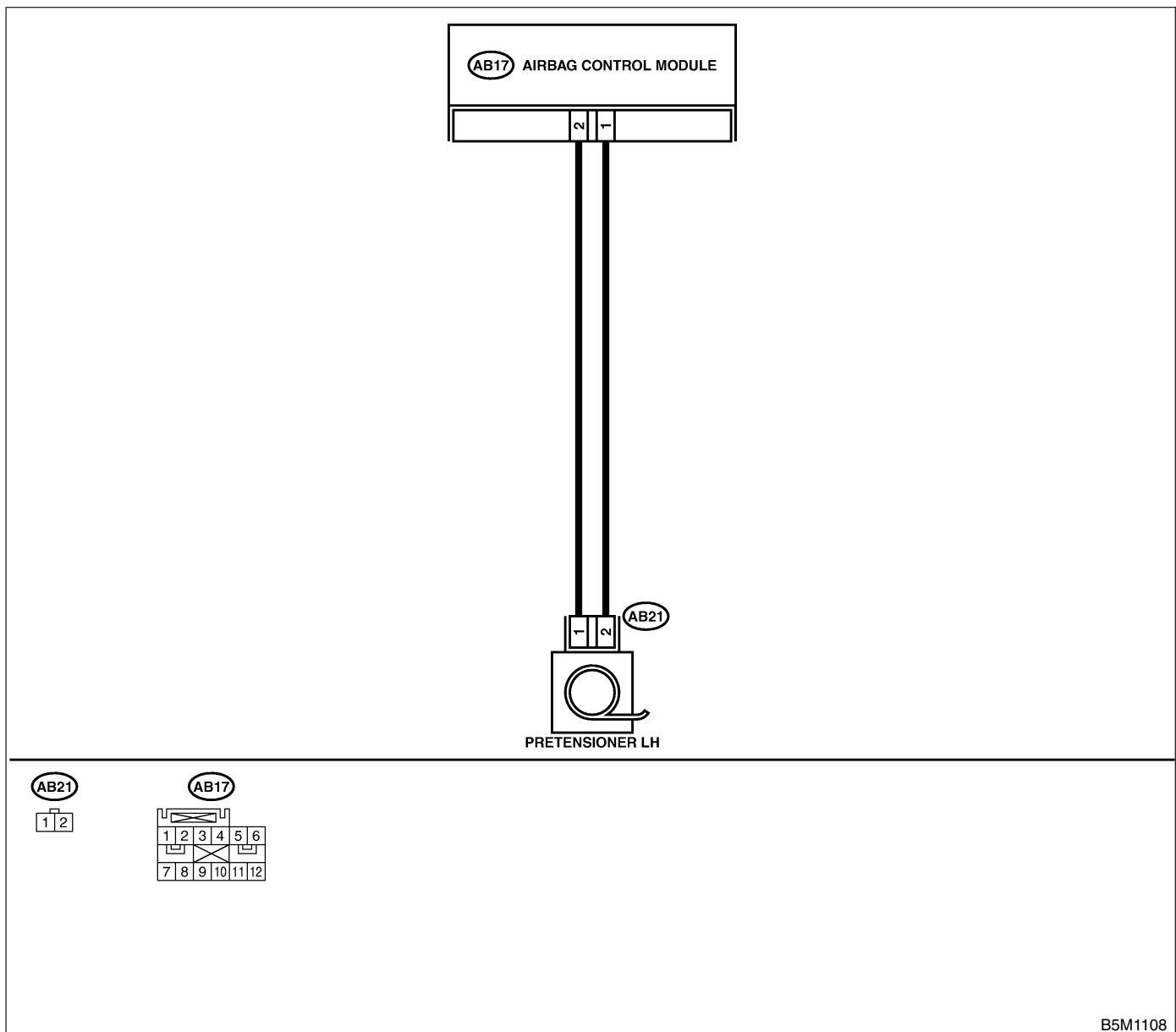
DIAGNOSIS:

- Seat belt pretensioner (LH) circuit is open, shorted or shorted to ground.
- Airbag control module is faulty.
- Pretensioner is faulty.
- Pretensioner harness is faulty.

CAUTION:

- Before diagnosing the airbag system, be sure to turn the ignition switch OFF, disconnect the ground cable from the battery, and wait more than 20 seconds before starting to work.
- Before replacing the airbag module, roll connector, control module, and sensor, reconnect each part and confirm that the warning light operates properly.
- When inspecting the side airbag harness, disconnect the side airbag module connector and seat belt pretensioner connector for the safety reasons.

WIRING DIAGRAM:



B5M1108

DIAGNOSTIC CHART WITH TROUBLE CODE

Airbag System (DIAGNOSTICS)

| No. | Step | Check | Yes | No |
|-----|---|---|--|--|
| 1 | <p>CHECK SEAT BELT PRETENSIONER.</p> <p>1) Turn the ignition switch OFF, disconnect the battery ground cable, and wait more than 20 seconds.</p> <p>2) Disconnect the connector (AB21) from the seat belt pretensioner (LH). <Ref. to SB-7, Front Seat Belt.></p> <p>3) Connect the connector (1F) in test harness F to (AB21).</p> <p>4) Connect the airbag resistor to the connector (3F) in test harness F.</p> <p>5) Connect the battery ground cable and turn the ignition switch ON.</p> | Does the airbag warning light operate properly? | Replace seat belt pretensioner (LH). <Ref. to SB-7, Front Seat Belt.> | Go to step 2. |
| 2 | <p>CHECK SIDE AIRBAG HARNESS (LH).</p> <p>1) Turn the ignition switch OFF, disconnect the battery ground cable, and wait more than 20 seconds.</p> <p>2) Disconnect the airbag resistor from the test harness.</p> <p>3) Disconnect the connector (AB20) from (AB19).</p> <p>4) Disconnect the connectors (AB17) and (AB18) from the airbag control module. <Ref. to AB-18, Airbag Control Module.></p> <p>5) Connect the connector (1I) in test harness I2 to the connector (AB17).</p> <p>6) Measure the resistance between connector (3I) in test harness I2 and the connector (3F) in test harness F.</p> <p>Connector & terminal <i>(3I) No. 11 — (3F) No. 4:</i> <i>(3I) No. 13 — (3F) No. 3:</i></p> | Is the resistance less than 10 Ω? | Go to step 3. | Replace side airbag harness. <Ref. to AB-17, Side Airbag Harness.> |
| 3 | <p>CHECK SIDE AIRBAG HARNESS (LH).</p> <p>Measure the resistance of the connector (3I) in test harness I2.</p> <p>Connector & terminal <i>(3I) No. 11 — No. 13:</i></p> | Is the resistance more than 1 MΩ? | Go to step 4. | Replace side airbag harness. <Ref. to AB-17, Side Airbag Harness.> |
| 4 | <p>CHECK SIDE AIRBAG HARNESS (LH).</p> <p>Measure the resistance between the connector (3I) in test harness I2 and the chassis ground.</p> <p>Connector & terminal <i>(3I) No. 11 — Chassis ground:</i> <i>(3I) No. 13 — Chassis ground:</i></p> | Is the resistance more than 1 MΩ? | Replace the airbag control module. <Ref. to AB-18, Airbag Control Module.> | Replace side airbag harness. <Ref. to AB-17, Side Airbag Harness.> |

DIAGNOSTIC CHART WITH TROUBLE CODE

Airbag System (DIAGNOSTICS)

W: TROUBLE CODE 65 S002630D85

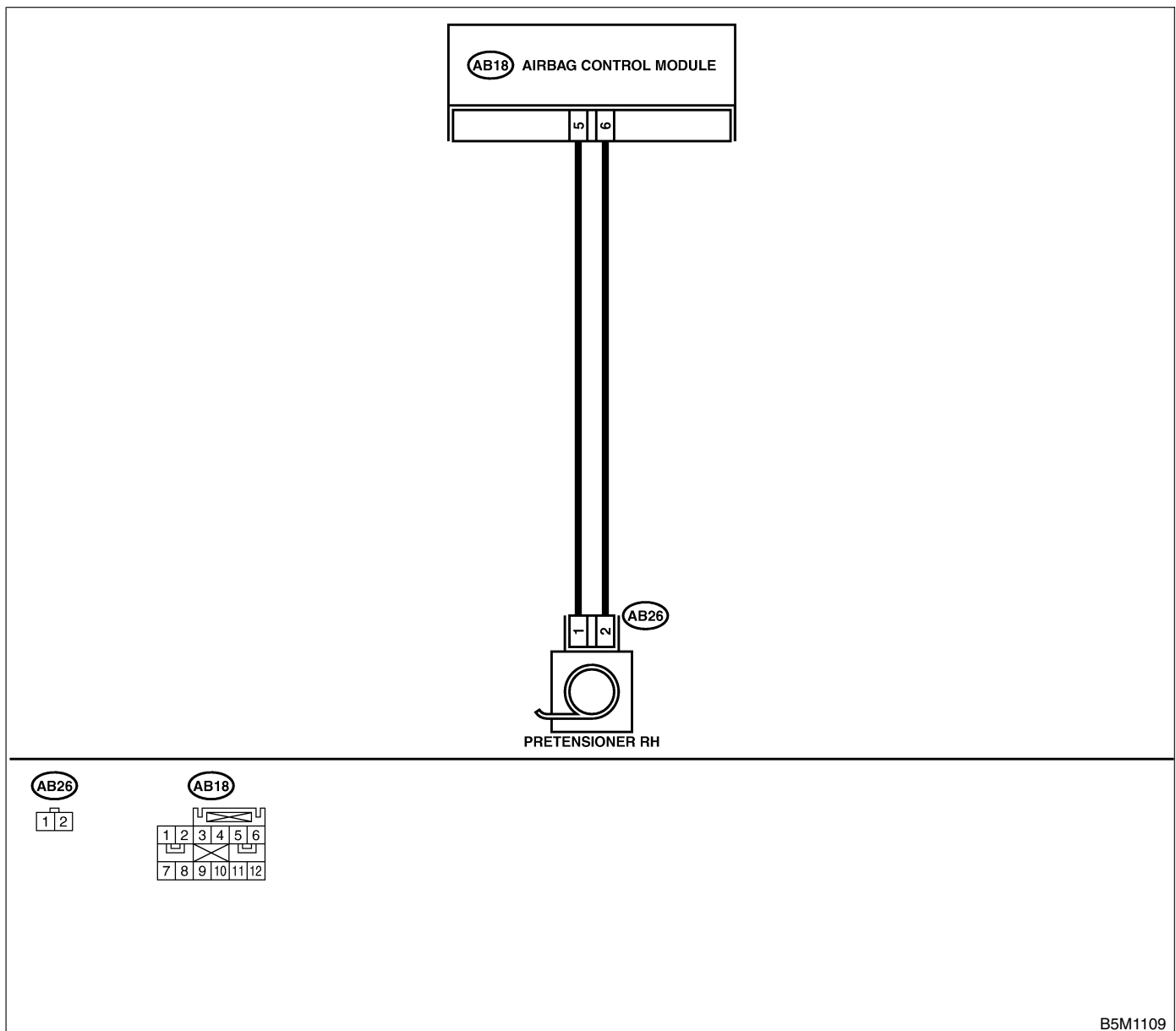
DIAGNOSIS:

- Seat belt pretensioner (RH) circuit is shorted to the power supply.
- Pretensioner is faulty.
- Pretensioner harness is faulty.
- Airbag control module is faulty.

CAUTION:

- Before diagnosing the airbag system, be sure to turn the ignition switch OFF, disconnect the ground cable from the battery, and wait more than 20 seconds before starting to work.
- Before replacing the airbag module, roll connector, control module, and sensor, reconnect each part and confirm that the warning light operates properly.
- When inspecting the side airbag harness, disconnect the side airbag module connector and seat belt pretensioner connector for the safety reasons.

WIRING DIAGRAM:



B5M1109

DIAGNOSTIC CHART WITH TROUBLE CODE

Airbag System (DIAGNOSTICS)

| No. | Step | Check | Yes | No |
|-----|--|---|--|--|
| 1 | <p>CHECK SEAT BELT PRETENSIONER.</p> <p>1) Turn the ignition switch OFF, disconnect the battery ground cable, and wait more than 20 seconds.</p> <p>2) Disconnect the connector (AB26) from the seat belt pretensioner (RH). <Ref. to SB-7, Front Seat Belt.></p> <p>3) Connect the connector (1F) in test harness F to (AB26).</p> <p>4) Connect the airbag resistor to connector (3F) in test harness F.</p> <p>5) Connect the battery ground cable, and turn the ignition switch ON.</p> | Does the airbag warning light operate properly? | Replace seat belt pretensioner (RH). <Ref. to SB-7, Front Seat Belt.> | Go to step 2. |
| 2 | <p>CHECK SIDE AIRBAG HARNESS (RH).</p> <p>1) Turn the ignition switch OFF, disconnect the battery ground cable, and wait more than 20 seconds.</p> <p>2) Disconnect the airbag resistor from the test harness.</p> <p>3) Disconnect the connector (AB25) from (AB24).</p> <p>4) Disconnect the connectors (AB17) and (AB18) from the airbag control module. <Ref. to AB-18, Airbag Control Module.></p> <p>5) Connect the connector (1I) in test harness I2 to the connector (AB18).</p> <p>6) Connect the battery ground cable and turn the ignition switch ON.</p> <p>7) Measure the voltage between connector (3I) in test harness I2 and the chassis ground.</p> <p>Connector & terminal</p> <p><i>(3I) No. 6 (+) — Chassis ground (-):</i></p> <p><i>(3I) No. 8 (+) — Chassis ground (-):</i></p> | Is the voltage less than 1 V? | Replace the airbag control module. <Ref. to AB-18, Airbag Control Module.> | Replace side airbag harness. <Ref. to AB-18, Airbag Control Module.> |

DIAGNOSTIC CHART WITH TROUBLE CODE

Airbag System (DIAGNOSTICS)

X: TROUBLE CODE 66 S002630D86

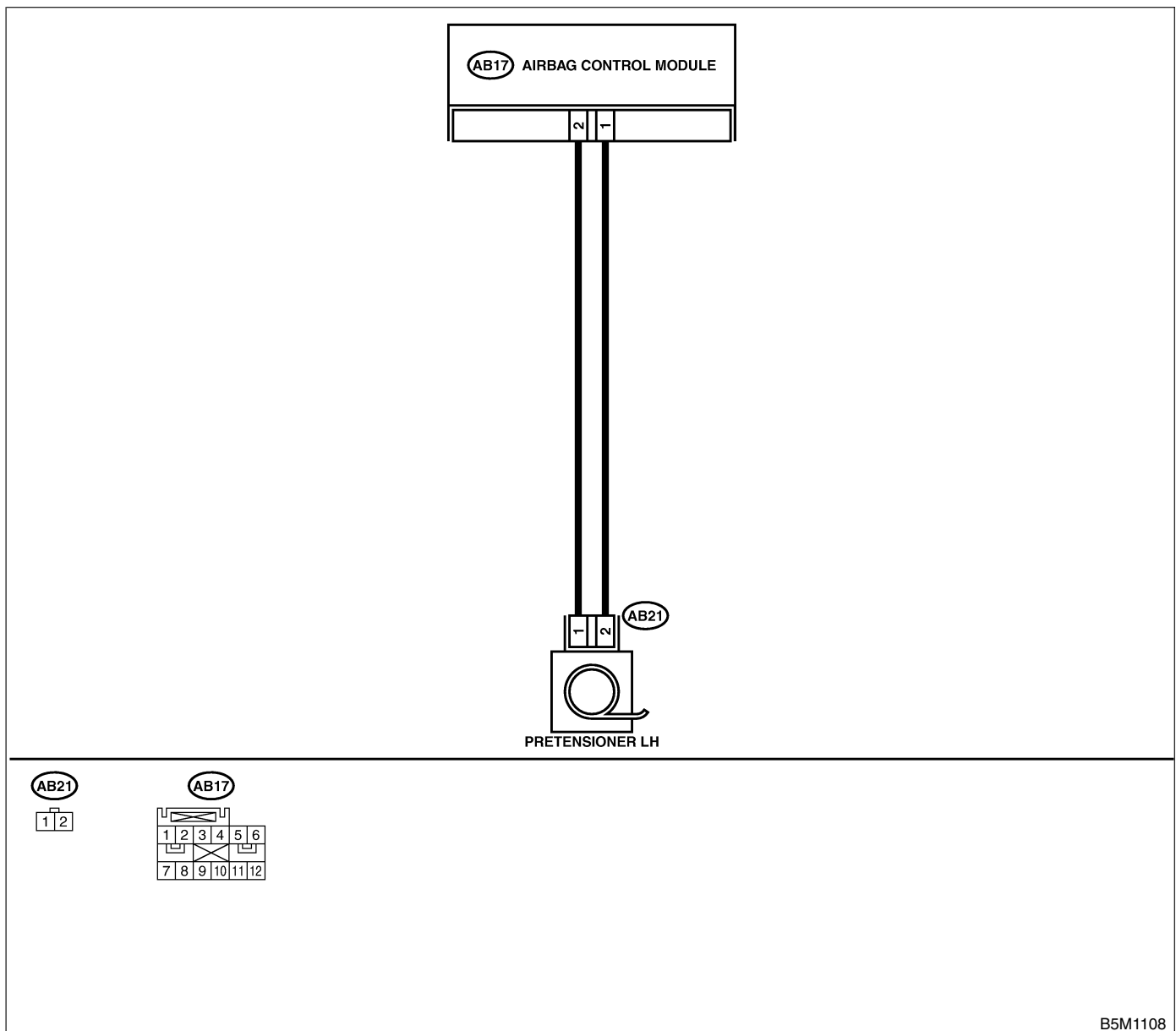
DIAGNOSIS:

- Seat belt pretensioner (LH) circuit is shorted to the power supply.
- Pretensioner is faulty.
- Pretensioner harness is faulty.
- Airbag control module is faulty.

CAUTION:

- Before diagnosing the airbag system, be sure to turn the ignition switch OFF, disconnect the ground cable from the battery, and wait more than 20 seconds before starting to work.
- Before replacing the airbag module, roll connector, control module and the sensor, reconnect each part and confirm that the warning light operates properly.
- When inspecting the side airbag harness, disconnect the side airbag module connector and seat belt pretensioner connector for the safety reasons.

WIRING DIAGRAM:



B5M1108

DIAGNOSTIC CHART WITH TROUBLE CODE

Airbag System (DIAGNOSTICS)

| No. | Step | Check | Yes | No |
|-----|--|---|--|--|
| 1 | <p>CHECK SEAT BELT PRETENSIONER.</p> <p>1) Turn the ignition switch OFF, disconnect the battery ground cable, and wait more than 20 seconds.</p> <p>2) Disconnect the connector (AB21) from the seat belt pretensioner (LH). <Ref. to SB-7, Front Seat Belt.></p> <p>3) Connect the connector (1F) in test harness F to (AB21).</p> <p>4) Connect the airbag resistor to the connector (3F) in test harness F.</p> <p>5) Connect the battery ground cable and turn the ignition switch ON.</p> | Does the airbag warning light operate properly? | Replace seat belt pre-tensioner (LH). <Ref. to SB-7, Front Seat Belt.> | Go to step 2. |
| 2 | <p>CHECK SIDE AIRBAG HARNESS (LH).</p> <p>1) Turn the ignition switch OFF, disconnect the battery ground cable, and wait more than 20 seconds.</p> <p>2) Disconnect the airbag resistor from the test harness.</p> <p>3) Disconnect the connector (AB20) from (AB19).</p> <p>4) Disconnect the connectors (AB17) and (AB18) from the airbag control module. <Ref. to AB-18, Airbag Control Module.></p> <p>5) Connect the connector (1I) in test harness I2 to the connector (AB17).</p> <p>6) Connect the battery ground cable and turn the ignition switch ON.</p> <p>7) Measure the voltage between connector (3I) in test harness I2 and the chassis ground.</p> <p>Connector & terminal</p> <p>(3I) No. 11 (+) — Chassis ground (-):</p> <p>(3I) No. 13 (+) — Chassis ground (-):</p> | Is the voltage less than 1 V? | Replace the airbag control module. <Ref. to AB-18, Airbag Control Module.> | Replace side airbag harness. <Ref. to AB-18, Airbag Control Module.> |

DIAGNOSTIC CHART WITH TROUBLE CODE

Airbag System (DIAGNOSTICS)

Y: TROUBLE CODE 72 S002630G19

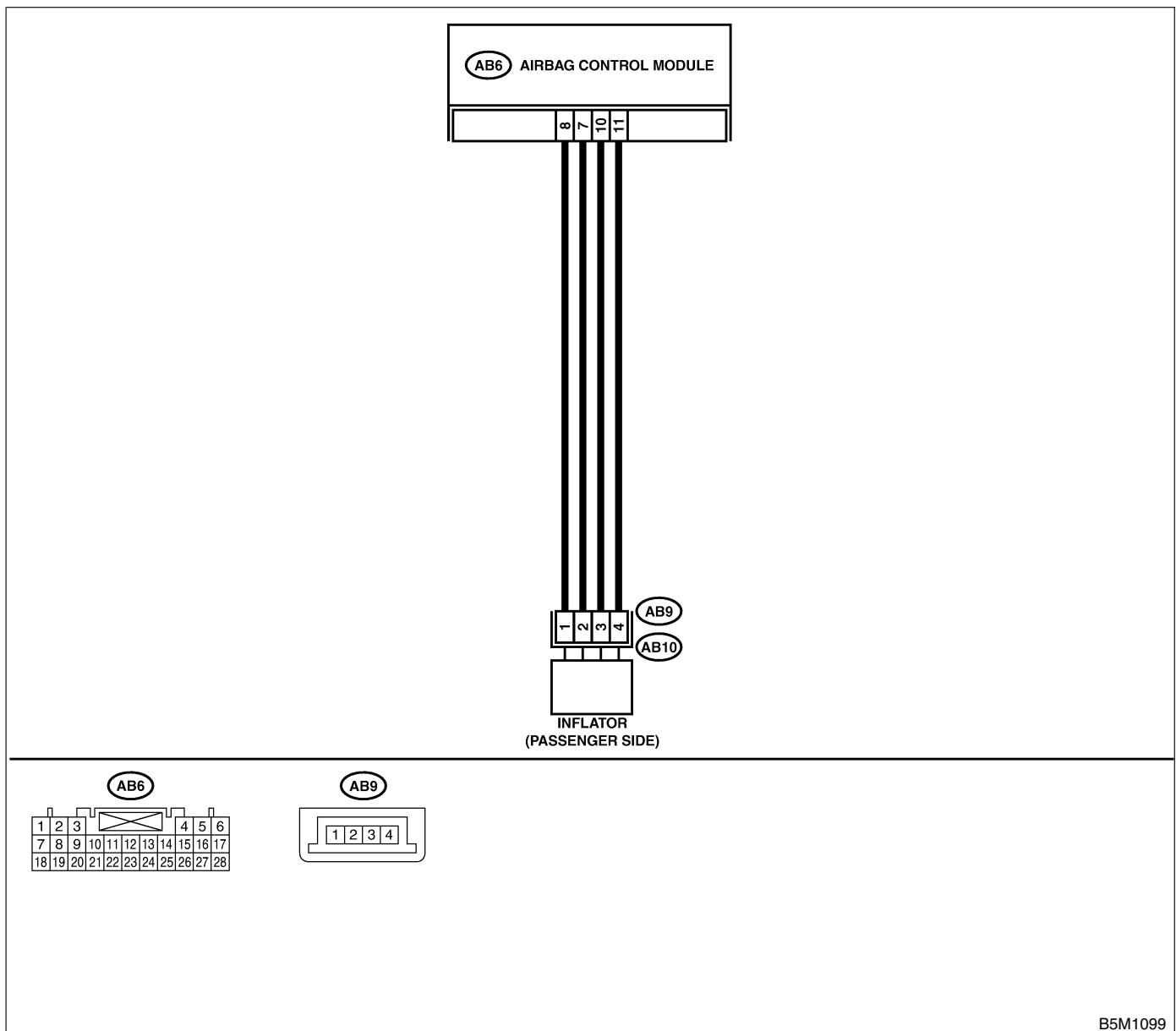
DIAGNOSIS:

- Airbag main harness circuit is open, shorted or shorted to ground.
- Airbag module harness (Passenger) circuit is open, shorted or shorted to ground.
- Passenger's airbag module is faulty.
- Airbag control module is faulty.

CAUTION:

- Before diagnosing the airbag system, be sure to turn the ignition switch OFF, disconnect the ground cable from the battery, and wait more than 20 seconds before starting to work.
- Before replacing the airbag module, roll connector, control module, and sensor, reconnect each part and confirm that the warning light operates properly.
- When inspecting the airbag main harness, disconnect the driver's airbag module and passenger's airbag module connectors for safety reasons.

WIRING DIAGRAM:



B5M1099

DIAGNOSTIC CHART WITH TROUBLE CODE

Airbag System (DIAGNOSTICS)

| No. | Step | Check | Yes | No |
|-----|--|---|--|---|
| 1 | <p>CHECK PASSENGER'S AIRBAG MODULE.</p> <p>1) Turn the ignition switch OFF, disconnect the battery ground cable, and wait more than 20 seconds.</p> <p>2) Pull out the two stopper pins and lower the glove box.</p> <p>3) Disconnect the connector (AB10) from (AB9).</p> <p>4) Connect the connector (1K) in test harness K to connector (AB9).</p> <p>5) Connect two airbag resistors to connectors (3K) and (4K) in test harness K.</p> <p>6) Connect the battery ground cable and turn the ignition switch ON.</p> | Does the airbag warning light operate properly? | Replace the passenger's airbag module. <Ref. to AB-14, Passenger's Airbag Module.> | Go to step 2. |
| 2 | <p>CHECK AIRBAG MAIN HARNESS.</p> <p>1) Turn the ignition switch OFF, disconnect the battery ground cable, and wait more than 20 seconds.</p> <p>2) Disconnect two airbag resistors from the connectors (3K) and (4K) in test harness K.</p> <p>3) Remove the lower cover and disconnect the connector (AB3) from (AB8).</p> <p>4) Disconnect the connector (AB6) from the air bag control module, and connect the connector (1I) in test harness I2. <Ref. to AB-18, Airbag Control Module.></p> <p>5) Measure the resistance between connector (2I) in test harness I2 and the connector (4K) in test harness K.</p> <p>Connector & terminal (6I) No. 2 — (4K) No. 3: (6I) No. 4 — (4K) No. 4:</p> | Is the resistance less than 10 Ω? | Go to step 3. | Replace airbag main harness. <Ref. to AB-16, Main Harness.> |
| 3 | <p>CHECK AIRBAG MAIN HARNESS.</p> <p>Measure the resistance of the connector (2I) in test harness I2.</p> <p>Connector & terminal (6I) No. 2 — No. 4: (6I) No. 2 — Chassis ground: (6I) No. 4 — Chassis ground:</p> | Is the resistance more than 1 MΩ? | Replace the airbag control module. <Ref. to AB-18, Airbag Control Module.> | Replace airbag main harness. <Ref. to AB-16, Main Harness.> |

DIAGNOSTIC CHART WITH TROUBLE CODE

Airbag System (DIAGNOSTICS)

Z: TROUBLE CODE 76 S002630G20

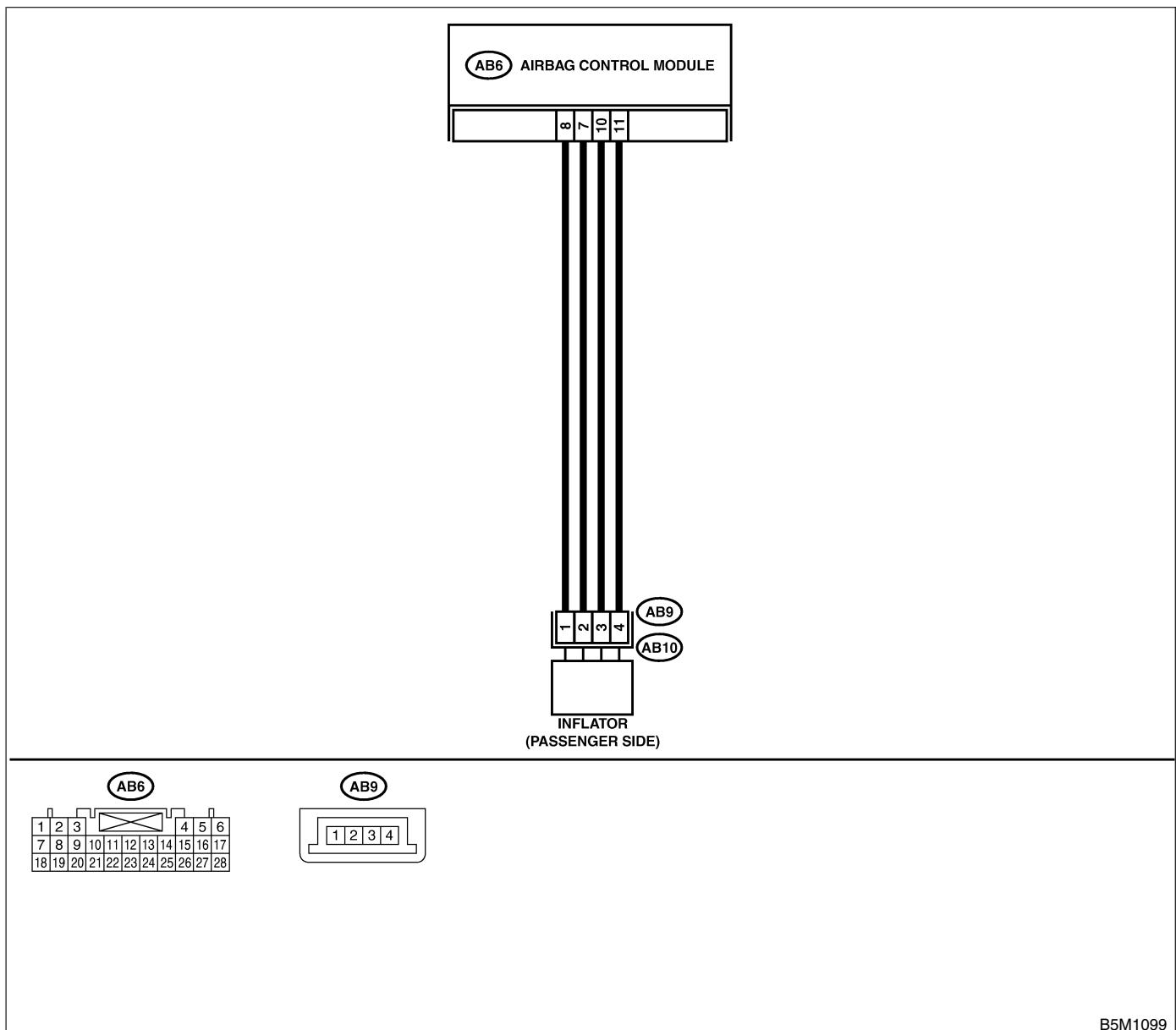
DIAGNOSIS:

- Airbag main harness circuit (Passenger) is shorted to the power supply.
- Airbag module harness (Passenger) is shorted to the power supply.
- Passenger's airbag module is faulty.
- Airbag control module is faulty.

CAUTION:

- Before diagnosing the airbag system, be sure to turn the ignition switch OFF, disconnect the ground cable from the battery, and wait more than 20 seconds before starting to work.
- Before replacing the airbag module, roll connector, control module, and sensor, reconnect each part and confirm that the warning light operates properly.
- When inspecting the airbag main harness, disconnect the driver's airbag module and passenger's airbag module connectors for safety reasons.

WIRING DIAGRAM:



B5M1099

DIAGNOSTIC CHART WITH TROUBLE CODE

Airbag System (DIAGNOSTICS)

| No. | Step | Check | Yes | No |
|-----|--|---|--|---|
| 1 | <p>CHECK PASSENGER'S AIRBAG MODULE.</p> <p>1) Turn the ignition switch OFF, disconnect the battery ground cable, and wait more than 20 seconds.</p> <p>2) Pull out the two stopper pins and lower the glove box.</p> <p>3) Disconnect the connector (AB10) from (AB9)</p> <p>4) Connect the connector (1K) in test harness K to connector (AB9).</p> <p>5) Connect two airbag resistors to connectors (3K) and (4K) in test harness K.</p> <p>6) Connect the battery ground cable and turn the ignition switch ON.</p> | Does the airbag warning light operate properly? | Replace the passenger's airbag module. <Ref. to AB-14, Passenger's Airbag Module.> | Go to step 2. |
| 2 | <p>CHECK AIRBAG MAIN HARNESS.</p> <p>1) Turn the ignition switch OFF, disconnect the battery ground cable, and wait more than 20 seconds.</p> <p>2) Disconnect two airbag resistors from the connectors (3K) and (4K) in test harness K.</p> <p>3) Remove the lower cover and disconnect the connector (AB3) from (AB8).</p> <p>4) Disconnect the connector (AB6) from the airbag control module, and connect the connector (1I) in test harness I2. <Ref. to AB-18, Airbag Control Module.></p> <p>5) Measure the voltage between connector (2I) in test harness I2 and the chassis ground.</p> <p>Connector & terminal</p> <p>(6I) No. 2 (+) — Chassis ground (-):</p> <p>(6I) No. 4 (+) — Chassis ground (-):</p> | Is the voltage less than 1 V? | Replace the airbag control module. <Ref. to AB-18, Airbag Control Module.> | Replace airbag main harness. <Ref. to AB-16, Main Harness.> |

DIAGNOSTIC CHART WITH TROUBLE CODE

Airbag System (DIAGNOSTICS)

MEMO: