

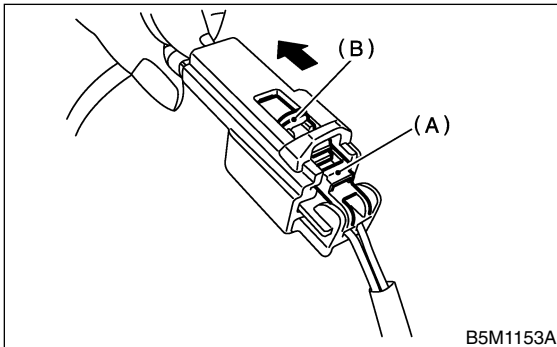
5. Airbag Connector S002659

A: OPERATION S002659A16

1. DRIVER'S AIRBAG, SIDE AIRBAG, FRONT SUB SENSOR HARNESS TO AIRBAG MAIN HARNESS AND PRETENSIONER S002659A1614

● **How to disconnect:**

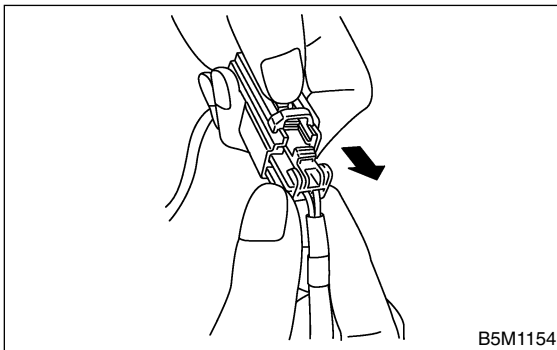
- 1) Push lock arm (A).
- 2) With lock arm (A) pushed in, move slide lock (B) in the direction of the arrow.



- 3) With slide lock (B) pulled, remove lock arm (A) to its original position, and then pull in the direction of the arrow and separate the connector.

CAUTION:

When pulling, be sure to hold onto the connector and not the wire.

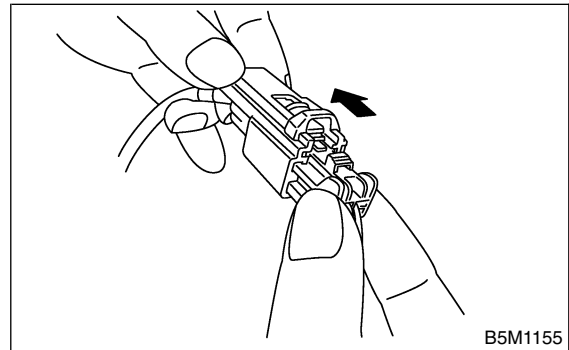


● **How to connect:**

Holding the connector, and push it in carefully until a connecting sound is heard.

CAUTION:

Be sure to insert the connector in until it locks. Then pull on it gently to make sure that it is locked.



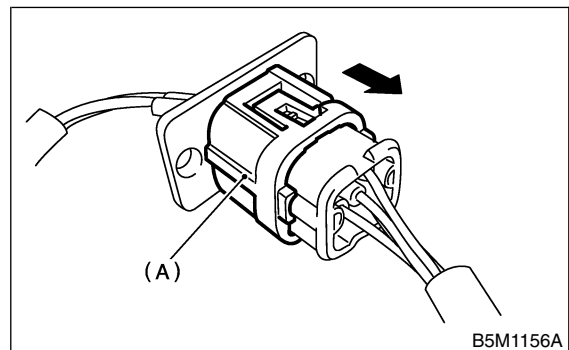
2. FRONT SUB-SENSOR, SIDE AIRBAG SENSOR S002659A1603

● **How to disconnect:**

- 1) Holding outer part (A), pull it in the direction of the arrow.

CAUTION:

When pulling, be sure to hold onto the connector and not the wire.



AIRBAG CONNECTOR

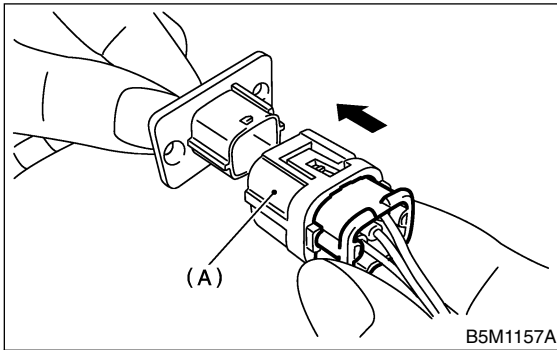
Airbag System (DIAGNOSTICS)

● How to connect:

Holding the connector, and push it in carefully until a connecting sound is heard.

CAUTION:

- Outer (A) moves back, and so do not put your hand on the outer part.
- Be sure to insert the connector in until it locks. Then pull on it gently to make sure that it is locked.



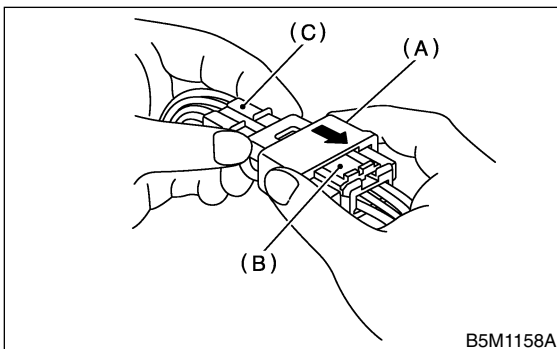
3. PASSENGER'S AIRBAG S002659A1602

● How to disconnect:

Holding female connector (C) in one hand, use your other hand to pull slide lock (A) in the direction of the arrow.

CAUTION:

When pulling, be sure to hold onto the slide lock and not the male connector or wire.



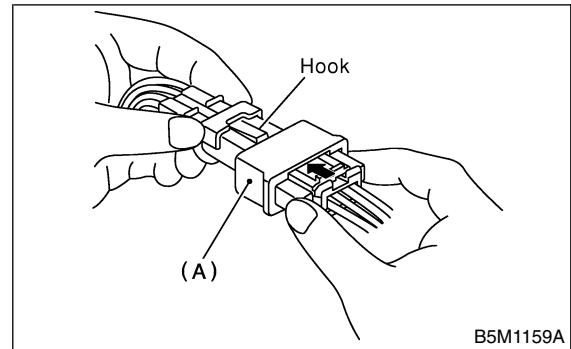
● How to connect:

1) Insert female connector (C) over male connector socket (B), and push slide lock (A) into the female connector tabs.

CAUTION:

Do not hold onto the slide lock.

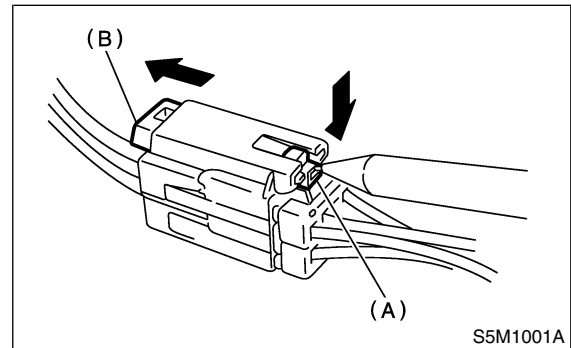
2) If the male connector socket is pushed too hard, slide lock (A) will go past slide lock (A) tabs and connect.



4. AIRBAG MAIN HARNESS TO BODY HARNESS CONNECTOR S002659A1611

1) How to disconnect:

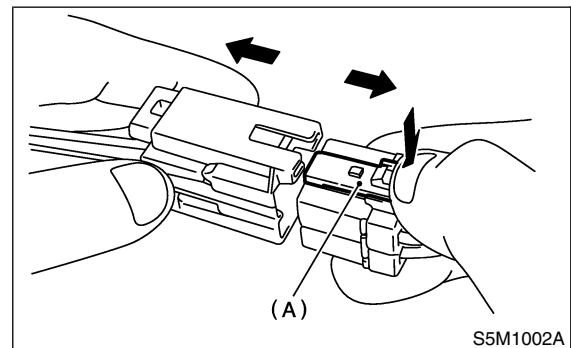
(1) Push lock arm (A) to let green lever (B) pop out.



(2) Then separate the connector halves by pulling them apart while pressing lever (A).

CAUTION:

When pulling, be sure to hold onto the connector and not the wire.



2) How to connect:

(1) Insert the (A) connector half into the other until a “click” is heard.

(2) Push in green lever (B) until a “click” is heard.

This engages the double lock mechanism.

CAUTION:

Be sure to insert the connector in until it locks. Then pull on it gently to make sure that it is locked.

