

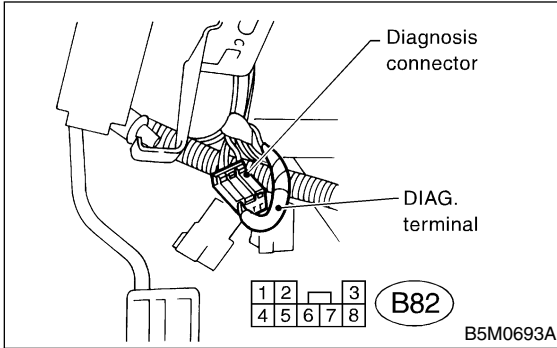
7. Read Diagnostic Trouble Code

S002508

A: OPERATION

S002508A16

- 1) Turn the ignition switch ON.
- 2) Connect the diagnosis terminal to diagnosis connector terminal No. 2 in the driver's seat lower cover area.

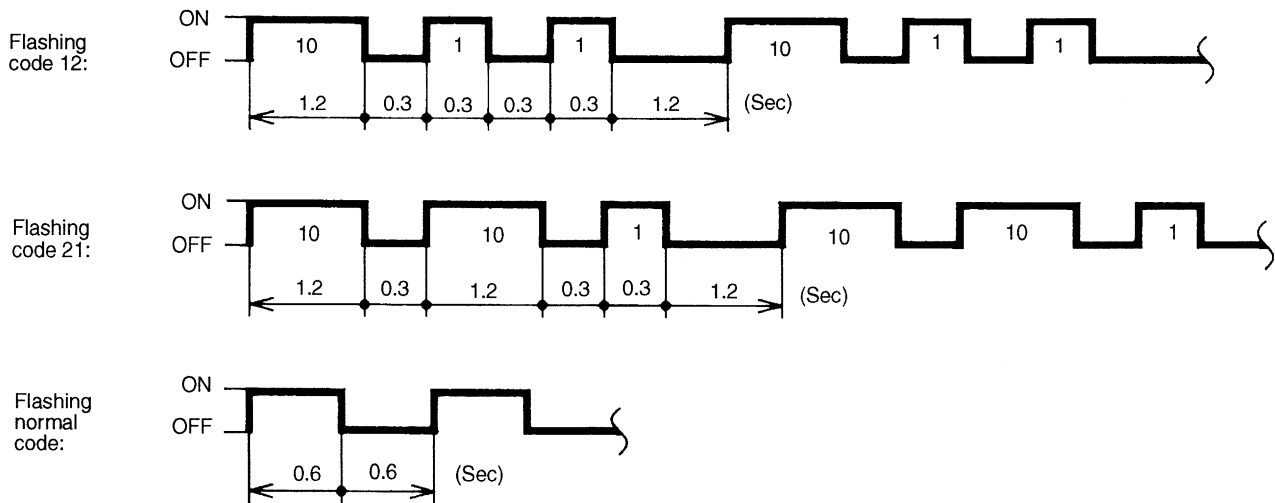


- 3) Read trouble code by identifying the way the air bag warning light flashes. The airbag warning light flashes a code corresponding to the faulty parts. The long segment (1.2 sec on) indicates a "ten", and the short segment (0.3 sec on) indicates a "one".

NOTE:

- "List of Diagnostic Trouble Code" <Ref. to AB-30, List of Diagnostic Trouble Code.>
- "Airbag Warning Light Failure" <Ref. to AB-24, Airbag Warning Light Failure.>

Example:



B5M0117A

- 4) Turn the ignition switch OFF, and disconnect the diagnosis terminal from the diagnosis connector terminal No 2.
- 5) Wind tape around the diagnosis terminal and return it to its original position.